

**AUDI 100/A6/S4/S6 1992-98**

**SECTION INDEX**

A/C HEATER/VENTILATION.....	117
A/C REFRIGERANT CAPACITIES.....	117
ABS/BRAKES.....	119
AIR BAG SYSTEM.....	119
AIR CLEANER.....	123
BACK WINDOW.....	131
CENTER CONSOLE.....	125
CLEAR COAT IDENTIFICATION.....	114
COOLING.....	115
COWL & DASH.....	125
ELECTRICAL.....	124
EMISSION SYSTEM.....	124
ENGINE COVER.....	123
ENGINE OIL COOLER.....	117
ENGINE/TRANS.....	122
ENGINE/TRANS MOUNTS.....	122
EXHAUST.....	123
FRONT BUMPER.....	114
FRONT DOOR.....	127
FRONT DRIVE AXLE.....	121
FRONT FENDER.....	118
FRONT INNER STRUCTURE.....	118
FRONT LAMPS.....	114
FRONT STEERING LINKAGE/GEAR.....	121
FRONT SUSPENSION.....	120
FUEL TANK.....	134
GRILLE.....	114
HOOD.....	115
INFORMATION LABELS.....	114
INSTRUMENT PANEL.....	125
INTERCOOLER.....	117
LIFTGATE.....	133
LUGGAGE LID.....	132
PAINT CODE LOCATION.....	114
QUARTER GLASS.....	132
QUARTER PANEL.....	131
REAR BODY.....	134
REAR BUMPER.....	135
REAR DOOR.....	128
REAR DRIVE AXLE.....	134
REAR LAMPS.....	135
REAR SUSPENSION.....	133
ROCKER/PILLARS/FLOOR.....	126
ROOF.....	130
SEAT.....	127
SEAT BELTS.....	127
SPECIAL CAUTIONS.....	114
STEERING PUMP.....	121
STEERING WHEEL/COLUMN.....	121
SUNROOF.....	130
TURBOCHARGER.....	123
UNDERHOOD DIMENSIONS.....	118
WHEEL.....	120
WINDSHIELD.....	124

**SPECIAL CAUTIONS**

**SUPPLEMENTAL RESTRAINT SYSTEM**

Refer to Procedure Explanation 29 for Supplemental Restraint/Air Bag Special Cautions.

**ABS**

Manufacturer advises that ABS Control Unit be disconnected before welding and removed if a temperature of 85 degrees C (185 degrees F) is to be exceeded for more than 2 hours.

**REFINISH BAKING**

Manufacturer advises that after baking, sufficient cooling time should be allowed before attempting to start vehicle.

**SUSPENSION**

Manufacturer advises that some new fasteners must be used whenever old fasteners are loosened or removed.

**PAINT CODE LOCATION**

Paint code located on luggage compartment floor.

**CLEAR COAT IDENTIFICATION**

All colors except Tornado Red (Code LY3D), Laser Red (Code LY3H), Casablanca White (Code LY9G), Alpine White (Code L90E) and Azurite Blue (Code LY5D) are clear coat.

**INFORMATION LABELS**

**NOTE: Emission and Vacuum Routing Labels must be special ordered from dealer by supplying description, VIN and owner information.**

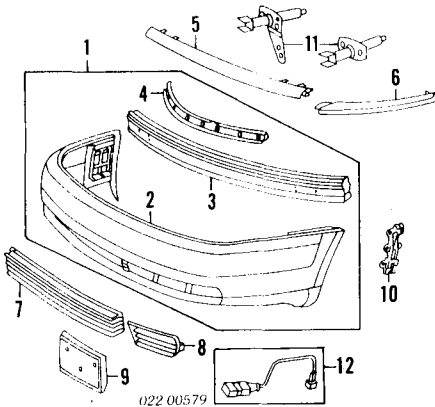
Headlamp Beam Adjust	893 010 107 T	3.20
Anti-Theft	R/L 4D0 010 138 E	1.40
Child Lock	4A1 010 121 J	5.00
Radio Coding	893 010 020 L	6.00
Air Bag		
USA		
Renewal Date 1998-2001	443 010 028 F	4.90
Renewal Date 2000-2003	443 010 111 G	2.00
Air Bag Replacement	4A0 010 129 C	1.40
A/C Belt Alignment	4A0 010 119 L	05.50
Tire Pressure†	4A0 010 131 L	1.40
†Order by Application		
Fuse Layout	4A0 010 121	05.35
Engine Warning†	4A0 010 114 S	6.90
Fuel		
Unleaded Only	000 010 018 C	2.25
Premium Unleaded Fuel Only†	034 010 006 C	1.40
†Order by Application		
Engine Data	4A0 010 129 A	04.20
Vacuum Hose Layout†	078 010 121 B	05.70
†Order by Application		
Timing Belt		
60,000 Mile	028 010 227 E	1.10
75,000 Mile	92-95 058 010 158 A	2.45
	96-98 058 010 158 A	2.45
A/C Refrigerant Level	8A0 010 126 P	2.00
Radiator Fill Caution	251 010 014 M	3.30
Ignition/Rad Fan Caution	4A0 010 114 S	6.90
Trailer Operation	281 010 013 E	1.20
Oil Fill Caution	037 010 049 R	4.45

**FRONT BUMPER**

Use Procedure Explanations 1 and 28 with the following text.

Refinish Front Cover.....	1.4
Refinish Mouldings Complete.....	1.0
Refinish Center Moulding.....	.4
Refinish Outer Moulding.....	R/L .4
R&I Bumper Assy.....	.6
O/H Bumper Assy (Includes R&I).....	2.0
Add to O/H Bumper Assy	
w/Fog Lamps.....	.3

**NOTE: All Parts in this section are included in overhaul unless noted otherwise.**



<b>1 Bumper Assy (P)</b>			
1992-94			
100 Series	4A0 807 101 GRU	2.0	673.00
S4	4A0 807 101 E GRU	2.0	677.00
1995-97			
A6	4A0 807 101 FG GRU	2.0	673.00
S6	4A0 807 101 FJ GRU	2.0	724.00
1998			
A6			
Wagon	4A0 807 101 FG GRU	2.0	673.00
<b>2 Cover, Front† (P)</b>			
1992-94			
100 Series	4A0 807 103 GRU	2.0	567.00
S4	4A0 807 103 F GRU	2.0	591.00
1995-97			
A6	4A0 807 103 DC GRU	2.0	544.00
S6	4A0 807 103 DD GRU	2.0	605.00
1998			
A6			
Wagon	4A0 807 103 DC GRU	2.0	544.00
(P) Paint to Match			
<b>3 Bar, Rein††-Serviced w/Bumper Assy</b>			
<b>4 Support, Bumper†</b>	R/L 4A0 807 234-3	10H	42.85
†Included w/Bumper Assy			
<b>5 Moulding, Cover Center (P)</b>	4A0 807 243 B GRU	#3	210.75
<b>6 Moulding, Cover Outer (P)</b>			
1992-97			

100 Series, A6	R 4A0 807 260 GRU	#3	44.75
	L 4A0 807 259 GRU	#3	44.75
S4, S6	R 4A0 807 260 A GRU	#3	184.90
	L 4A0 807 259 A GRU	#3	184.90
1998			
A6			
Wagon	R 4A0 807 260 GRU	#3	44.75
	L 4A0 807 259 GRU	#3	44.75

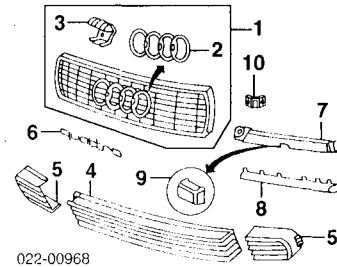
(P) Paint to Match

#w/Bumper Removed, R&R Complete .6, Not Included in O/H

<b>7 Grille, Cover Center</b>	4A0 853 667 F 01C	.3	74.35
<b>8 Grille, Cover Outer</b>	R 4A0 807 368 01C	.2	11.50
	L 4A0 807 367 01C	.2	11.50
<b>9 Bracket, License</b>			
1992-94			
100 Series, S4	4A0 807 287 M 3FZ	.2	52.95
1995-97			
A6	4A0 807 287 M 3FZ	.2	52.95
S6	4A0 807 287 L GRU	.2	97.45
1998			
A6			
Wagon	4A0 807 287 M 3FZ	.2	52.95
<b>10 Bracket, Cover</b>	R/L 4A0 807 253 C	4.25	
<b>11 Absorber, Impact</b>	R 4A0 807 272 B	#3	129.15
	L 4A0 807 271 B	#3	126.25
#w/Bumper Removed, Not Included in O/H			
<b>12 Sensor, Outboard Temp</b>	8D0 820 535	#8	100.40
#Includes R&I Bumper Assy, w/Bumper Assy Removed Deduct .6, Not Included in O/H Bumper Assy			

**GRILLE**

Refinish Outer Moulding.....	R/L	.3
Refinish Washer System Cap.....	R/L	.2



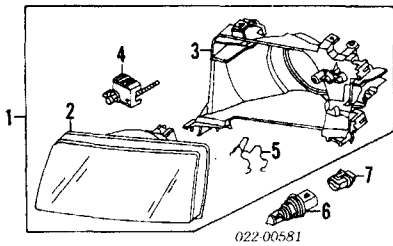
<b>1 Grille Assy</b>			
1992-94			
100 Series, S4	4A0 853 651 3FZ	#3	132.40
1995-97			
A6, S6	4A0 853 651 C 3FZ	#3	208.30
1998			
A6			
Wagon	4A0 853 651 C 3FZ	#3	208.30
#Included in R&R Hood			
<b>2 Ornament, Audi†</b>	92-94 893 853 605	.2	25.95
	95-98 4A0 853 605 2ZZ	.2	25.95
<b>3 Bracket, Retainer† (3)</b>	92-94 4A0 853 645 A	3.15	
†Included w/Grille Assy			
<b>4 Grille, Lower-See Front Bumper Section</b>			
<b>5 Grille, Outer-See Front Bumper Section</b>			
<b>6 Nameplate</b>			
"S4"	4A0 853 736 2ZZ	.2	66.35
"Quattro"			
100 Series, S4	92-94 4A5 853 736 A 2ZZ	.2	14.10
A6, S6	95-98 4A5 853 736 B 2ZZ	.2	14.10
<b>7 Moulding, Outer (P)</b>			
1992-94			
100 Series, S4			
w/ H/Lamp Washers	R 4A0 853 208 C		10.30
	L 4A0 853 207 C		10.30
w/o H/Lamp Washers	R 4A0 853 208 B		10.00
	L 4A0 853 207 B		10.00
1995-97			
A6, S6			
w/ H/Lamp Washers	R 4A0 853 208 E		7.20
	L 4A0 853 207 E		7.20
w/o H/Lamp Washers	R 4A0 853 208 D		4.70
	L 4A0 853 207 D		4.70
1998			
A6			
Wagon			
w/ H/Lamp Washers	R 4A0 853 208 E		7.20
	L 4A0 853 207 E		7.20
w/o H/Lamp Washers	R 4A0 853 208 D		4.70
	L 4A0 853 207 D		4.70
(P) Paint to Match			
<b>8 Seal, Moulding</b>	92-94 R 4A0 853 206 A	d4.40	
	L 4A0 853 205 A	d4.40	
<b>9 Cap, Washer System (P)</b>	R 4A0 807 156 GRU	18.20	
	L 4A0 807 155 GRU	18.20	
(P) Paint to Match			
<b>10 Bracket, Moulding</b>	R 4A0 853 238 A	1.30	
	L 4A0 853 237 A	1.30	

**FRONT LAMPS**

**COMBINATION LAMP 100 SERIES**

Aim Lamps.....		.4
R&I Headlamp Assy.....	R/L	#8
#Includes R&I/R&R Park/Signal Lamp		

NOTE: R&R Does Not include aim lamps.



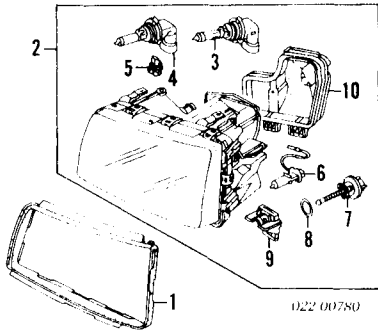
1 Lamp Assy	R 4A0 941 030 E	#.8	271.85
	L 4A0 941 029 E	#.8	271.85
<i>#Includes R&amp;R/R Park/Signal Lamp</i>			
2 Lens & Housing	R/L 4A0 941 106-5	.3	212.40
3 Frame, Retainer	R/L 4A0 941 048-7		79.60
4 Screw, Adjusting	R/L 535 941 142		1.90
5 Spring, Bulb Retainer	R/L 357 941 172		4.00
<i>#Included w/Lamp Assy</i>			
6 Bulb, Halogen	R/L N 100 666 02	.2	11.70
7 Contact, Bulb	R/L 165 941 165		7.20

**COMBINATION LAMP  
S4, A6, S6 MODEL**

Aim Lamps	.....	4
R&I Headlamp Assy	..... R/L	#.8

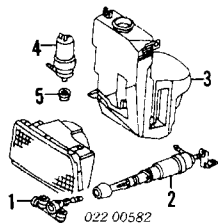
*#Includes R&R/R Park/Signal Lamp*

NOTE: R&R Does Not include aim lamps.



1 Frame, Trim	S4 R/L 4A0 941 192-1	36.45	
	A6, S6 R 4A0 941 192 A	35.30	
	L 4A0 941 191 A	35.30	
2 Lamp Assy	1992-94 S4 R 4A0 941 030 F	#.8	594.00
	L 4A0 941 029 F	#.8	594.00
	1995 A6, S6 R 4A0 941 004 AT	#.8	534.00
	L 4A0 941 003 AT	#.8	534.00
	1996-97 A6, S6 R 4A0 941 004 BF	#.8	389.85
	L 4A0 941 003 BF	#.8	389.85
	1998 A6 Wagon R 4A0 941 004 BF	#.8	389.85
	L 4A0 941 003 BF	#.8	389.85
<i>#Includes R&amp;R/R Park/Signal Lamp</i>			
3 Bulb, Halogen Outer	R/L N 101 301 01	#.2	21.65
4 Bulb, Halogen Inner	92-94 R/L N 101 300 01	#.2	16.30
	95-98 R/L N 017 761 2	#.2	4.55
<i>#Each Additional .1</i>			
5 Connector Set, Bulb	R/L 441 998 922		7.65
6 Bulb, Fog Lamp	R/L N 017 762 2	.2	4.65
7 Adjuster, Vertical	R/L 4A0 941 297		8.55
8 Seal	R/L 443 941 323		2.00
9 Brkt, Retainer (4)	R/L 893 941 117 A		3.55
10 Cap, Rear	R 4A0 941 159 B		34.20
	L 4A0 941 159 A		34.20
<i>#Included w/Lamp Assy</i>			

**HEADLAMP WASHER**



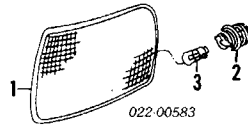
1 Nozzle, Washer	R/L 4A0 955 986-5	20.40
2 Cylinder, Pressure Mount Pkg, Cylinder	R/L 4A0 955 989	123.45
	4A0 998 150	18.60

3 Reservoir-See Windshield Wiper Section		
4 Pump, Washer	191 955 681	94.60
5 Seal, Pump	431 955 465 A	2.10

**PARK/SIGNAL LAMP**

R&I Park/Signal Lamp ..... R/L #.3

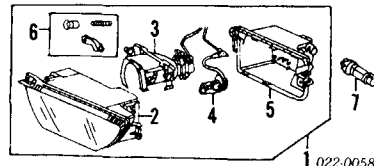
*#Included in R&R/R Headlamp & Fender*



1 Lens & Housing	1992-94 100 Series, S4 R 4A0 953 050 C	#.3	69.10
	L 4A0 953 049 C	#.3	69.10
	1995-97 A6, S6 R 4A0 953 050 E	#.3	82.20
	L 4A0 953 049 E	#.3	82.20
	1998 A6 Wagon R 4A0 953 050 E	#.3	82.20
	L 4A0 953 049 E	#.3	82.20
<i>#Included in R&amp;R/R Headlamp &amp; Fender</i>			
2 Socket	R/L 893 941 669		8.10
3 Bulb	R/L N 017 738 2	.2	2.10

**FOG LAMP  
1992-97**

R&I Lamp Assy ..... R/L .3

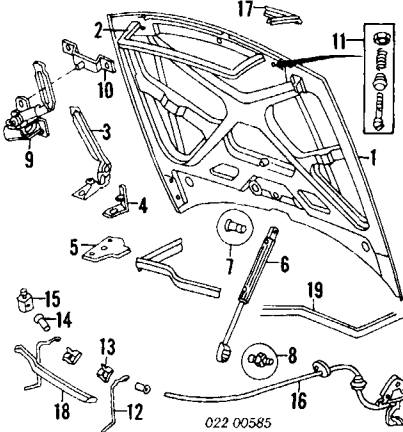


1 Lamp Assy	R 4A0 941 700 B	.3	181.40
	L 4A0 941 699 B	.3	181.40
2 Lens & Housing	R 4A0 941 724 B		57.95
	L 4A0 941 723 B		57.95
3 Reflector	R/L 895 941 727		149.30
4 Bulb, Halogen	R/L N 017 762 2	#.4	4.65
<i>#Includes R&amp;I Fog Lamp</i>			
5 Housing	R/L 4A0 941 722-1		47.70
6 Mounting Kit	R/L 4A0 998 135		4.70
<i>#Included w/Lamp Assy</i>			
7 Sleeve, Connector	R/L 443 971 920		15.20

**HOOD**

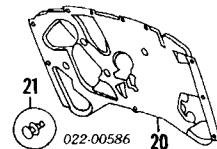
Use Procedure Explanations 4 and 28 with the following text.

Refinish Hood Outside	.....	3.0
Add for Underside	.....	1.5
Refinish Hinge	..... R/L	.3
R&I Hood Assy	.....	.6



1 Panel, Hood	1992-94 100 Series, S4	4A0 823 029 C	#1.5	556.00
	1995-97 A6, S6	4A0 823 029 D	#1.5	556.00
	1998 A6 Wagon	4A0 823 029 D	#1.5	556.00
<i>#Includes R&amp;R/R Grille</i>				
2 Plate, Repair	100 Series, S4	92-94 4A0 823 145		64.60
3 Hinge	R 4A0 823 302 F	#.3	23.05	
	L 4A0 823 301 F	#.3	23.05	
<i>#w/Hood Removed</i>				

4 Bracket, Hinge	R/L 4A0 805 146-5		2.60	
5 Plate, Mount	R/L 4A0 805 130-29		2.60	
6 Strut, Lift	1992-94 100 Series, S4	4A0 823 359 B	.3	131.20
	1995-97 A6, S6	4A0 823 359 C	.3	72.60
	1998 A6 Wagon	4A0 823 359 C	.3	72.60
7 Pin, Strut Upper	443 823 471 B		2.40	
8 Pin, Strut Lower	533 827 345 C		5.55	
9 Hook, Safety	1992-94 100 Series, S4	4A0 823 480 A	.2	34.55
	1995-97 A6, S6	4A0 823 480 B	.2	48.35
	1998 A6 Wagon	4A0 823 480 B	.2	48.35
10 Plate, Guide	4A0 823 467		11.30	
11 Pin Kit	R/L 4A0 898 550		8.20	
<i>#Order by Application</i>				
12 Lever, Locking Retainer, Cable	R/L 4A0 823 590-89		3.90	
13 Retainer, Cable	R/L 4A0 823 570		.58	
14 Sleeve, Cable	1992-94 100 Series, S4	R/L 443 823 597 A		2.55
	1995-97 A6, S6	R/L 4A0 823 597		2.55
	1998 A6 Wagon	R/L 4A0 823 597		2.55
15 Clip	1992-94 100 Series, S4	815 827 525		3.55
	1995-97 A6, S6	4A0 823 397		.45
	1998 A6 Wagon	4A0 823 397		.45
16 Cable, Release	1992-94 100 Series, S4	443 823 531 A	1.2	30.95
	1995-97 A6, S6	4A1 823 531 B	1.2	30.95
	1998 A6 Wagon	4A1 823 531 B	1.2	30.95
17 Seal, Outer	R 4A0 823 738 A		62.95	
	L 4A0 823 737 A		62.95	
18 Seal, Front	1992 100 Series, S4	4A0 823 737		39.10
	1993-94 100 Series, S4	4A0 823 737 C		62.95
	1995-97 A6, S6	4A0 823 737 C		62.95
	1998 A6 Wagon	4A0 823 737 C		62.95
19 Seal, Rear Clip, Seal Retainer (6)	4A0 823 737 C		62.95	
	4A0 823 723		86.35	
	4A0 819 160		1.50	



20 Insulator	1992-94 100 Series, S4	4A0 863 825 J	.4	73.65
	1995-97 A6, S6	4A0 863 825 AA	.4	81.40
	1998 A6 Wagon	4A0 863 825 J	.4	73.65
	1998 A6 Wagon	4A0 863 825 AA	.4	81.40
21 Clip, Retainer	811 863 905 D 01C		.73	
Screw, Retainer	811 864 809 01C		.33	
<i>#As Required</i>				
Lamp Assy, Underhood	92-97 4A0 947 319		.2	26.50
	98 N.A.		.2	0.00
Bulb	92-97 N 017 723 2		.2	1.70
	98 N.A.		.2	0.00
<i>#Included w/Underhood Lamp Assy</i>				

**COOLING**

Use Procedure Explanations 5 and 28 with the following text.

**5 CYL**

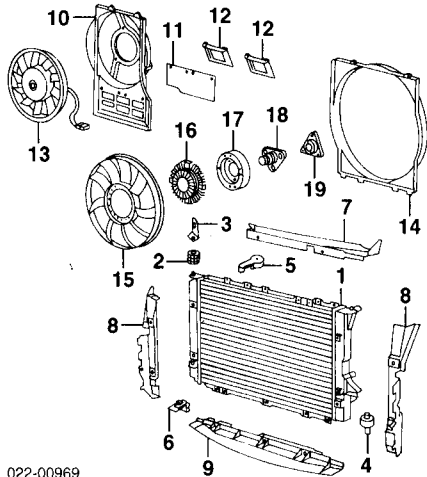
Illustration Located in Next Column

1 Radiator	4A0 121 251 A	2.8	345.00
2 Mount, Upper	R/L 4A0 121 267 A		2.60
3 Bracket, Mount	R/L 4A0 121 262-1		13.20
4 Mount, Lower	R/L 4A0 121 273 A		12.25
5 Bracket, Upper (2)	4A0 121 093 A		2.30
6 Clamp, Lower (4)	4A0 121 304 A		2.40

# AUDI 100/A6/S4/S6 1992-98

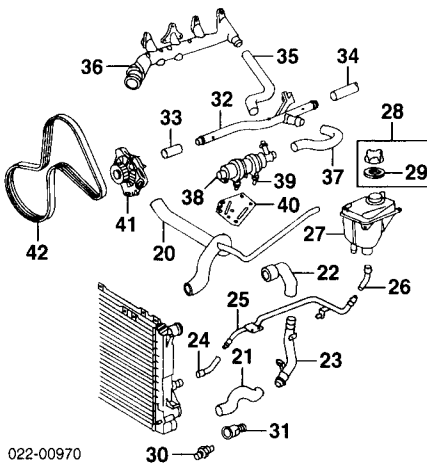
## COOLING Cont'd

### 5 CYL Cont'd



022-00969

7 Baffle, Air Upper			
1992	4A0 121 293		39.95
1993			
To VIN P020000	4A0 121 293		39.95
From VIN P020001	4A0 121 293 D		17.85
1994-97	4A0 121 293 D		17.85
8 Baffle, Air Side			
S4	92-94 R 4A0 121 284 C		10.50
	L 4A0 121 283 C		11.70
S6	95-97 R 4A0 121 284 D		9.55
	L 4A0 121 283 G		9.55
9 Baffle, Air Lower	4A0 121 333 A	#6	13.45
10 Shroud, Electric Fan	4A0 121 207 B	#6	86.25
11 Flap, Shroud			
Hvy Duty Cooling	4A0 121 225 B		2.75
12 Bracket, Flap (2)			
Hvy Duty Cooling	191 121 227	#6	1.90
13 Fan Assy	4A0 959 455 B	#6	387.55
Blade, Fan	4A0 959 465 A	#6	37.90
<b>#R&amp;R Complete</b>			
Washer, Lock	701 959 473		1.50
Bushing, Spacer	701 959 477		1.10
<i>Included w/Fan Assy</i>			
14 Shroud, Fan	4A0 121 207	#5	64.65
15 Blade, Fan	4A0 121 301	#7	36.80
16 Clutch, Fan	4A0 121 350 B	#7	215.70
<b>#R&amp;R Complete</b>			
17 Pulley, Clutch			
1992			
To VIN N145637	054 119 145 A		16.75
From VIN N145638	046 119 145		16.75
1993-97	046 119 145		16.75
18 Shaft, Pulley	046 119 269		144.05
19 Bearing, Shaft	077 115 136 A		96.30

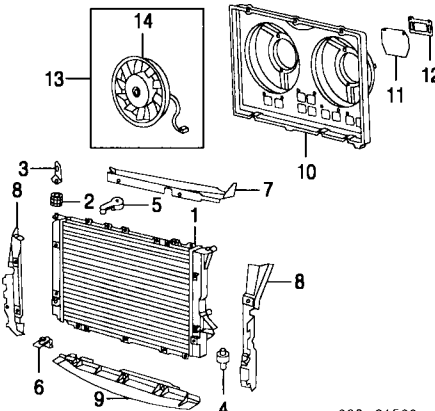


022-00970

20 Hose, Upper Rad	4A0 121 101 B	#6	68.80
21 Hose, Lower Rad			
22 Hose, Lower Radiator to Pipe	4A0 121 055 D	#6	21.35
23 Hose, Lower Pipe to Water Pump	4A0 121 055 C	#6	21.35
23 Pipe, Connector			
S4	92-94 4A0 121 075 C	#6	445.25
S6	95-97 4A0 121 075 G	#6	33.85
<b>#R&amp;R Complete</b>			
24 Hose, Rad/Pipe	4A0 121 109 B		12.10

25 Pipe, Coolant Tank	4A0 121 075		28.15
26 Hose, Pipe/Tank	867 972 525 B		13.20
27 Tank, Coolant	4A0 121 403	.4	52.90
28 Cap Assy, Filler	443 121 321		10.80
29 Seal, Cap	171 121 327		2.15
<i>Included w/Filler Cap Assy</i>			
30 Switch, Thermo	191 959 481 C		33.25
31 Cover, Thermo Switch	867 972 525 B		2.55
32 Pipe, Water	034 121 071 S		32.60
33 Hose, Water Pump/Pipe	034 121 063 C		9.15
34 Hose, Pipe/Heater Valve	4A0 819 371 B		26.00
35 Hose, Water Manifold	4A0 121 082		15.75
36 Manifold, Water	034 121 187 B		211.30
37 Hose, Water Pump	4A0 121 081		14.70
38 Pump, Aux Water	034 965 561 C	m .4	205.10
39 Mount, Pump (2)	035 959 209 E	m	9.75
40 Bracket, Pump	034 121 093 J	m	67.55
41 Pump, Main Water	054 121 004 A	m 2.0	228.65
42 Belt, Drive	054 903 137 B	.5	76.15

### 6 CYL

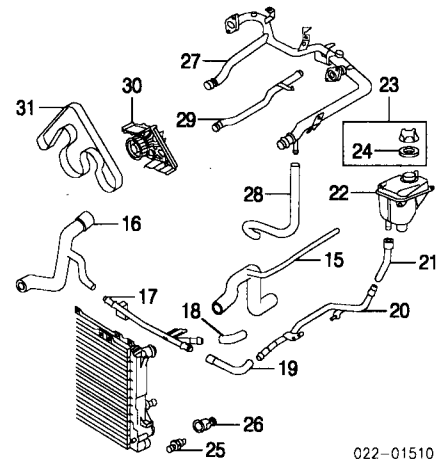


022-01509

1 Radiator			
Man Trans	4A0 121 251 Q	2.6	258.15
Auto Trans	4A0 121 251 M	2.6	326.65
2 Mount, Upper			
w/ A/C	R/L 4A0 121 267 A		2.60
w/o A/C	R/L 055 129 669		2.00
3 Bracket, Mount	R/L 4A0 121 262-1		13.20
4 Mount, Lower	R/L 4A0 121 273 A		12.25
5 Bracket, Upper	4A0 121 093 C		7.35
6 Clamp, Lower	4A0 121 304 C		5.90
<i>Included w/Fan Assy</i>			
7 Baffle, Air Upper			
1992	4A0 121 293		39.95
1993			
To VIN P020000	4A0 121 293		39.95
From VIN P020001	4A0 121 293 D		17.85
1994-97	4A0 121 293 D		17.85
1998			
A6			
Wagon	4A0 121 293 D		17.85
<i>Order by Application</i>			
8 Baffle, Air Side			
1992-97			
100 Series	R 4A0 121 284 C		10.50
	L 4A0 121 283 C		11.70
A6			
FWD	R 4A0 121 284 C		10.50
	L 4A0 121 283 C		11.70
AWD	R 4A0 121 284 D		9.55
	L 4A0 121 283 G		9.55
1998			
A6			
Wagon	R 4A0 121 284 C		10.50
	L 4A0 121 283 C		11.70
9 Baffle, Air Lower	4A0 121 333 A	#3	13.45
10 Shroud, Fan	4A0 121 207 H	#8	97.70
11 Flap, Shroud	4A0 121 225 D		2.30
12 Bracket, Flap	191 121 227		1.90
13 Fan Assy	R/L 4A0 959 455 C	#8	368.35
Blade, Fan	R 441 959 465	#8	37.90
L 4A0 959 465	#8	37.90	
<b>#R&amp;R Complete</b>			
Washer, Lock	R/L 823 959 473		1.55
MACI Brand	R/L N 900 470 01		1.60
GATE Brand	R/L 701 959 477		1.10
<i>Included w/Fan Assy</i>			

Illustration Located in Next Column

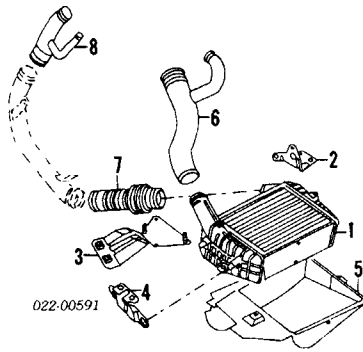
15 Hose, Upper Rad	4A0 121 101 C	#6	68.80
16 Hose, Lower Rad			
1992-94			
100 Series	4A0 121 055 F	#6	84.40
1995-97			
A6	4A0 121 055 H	#6	17.55
1998			



022-01510

A6			
Wagon	4A0 121 055 H	.6	17.55
Hose, Connector Pipe			
1995-97			
A6			
1998	078 121 096 J		8.05
A6			
Wagon	078 121 096 J		8.05
17 Pipe, Connector	078 121 081 J		54.30
18 Hose, Connector Pipe	078 121 096 H		10.05
19 Hose, Coolant Tank			
1992-95	4A0 121 109 D		24.95
1996-98	4A0 121 109 K		12.10
20 Pipe, Water			
1992-97			
FWD			
w/Traction Control	4A0 121 075 D		33.85
w/o Traction Control	92-95 4A0 121 075		28.15
	96-97 4A0 121 075 F		23.85
AWD	4A0 121 075		28.15
1998			
A6			
Wagon	4A0 121 075		28.15
21 Hose, Coolant Tank			
1992-97			
FWD			
w/Calif Emission	4A0 121 109 H		30.25
w/o Calif Emission	4A0 121 109 A		13.20
AWD	4A0 121 109 A		13.20
1998			
A6			
Wagon	4A0 121 109 A		13.20
22 Tank, Coolant	4A0 121 403	.4	52.90
23 Cap Assy, Filler	443 121 321		10.80
24 Seal, Cap	171 121 327		2.15
<i>Included w/Filler Cap Assy</i>			
25 Switch, Thermo	191 959 481 C		33.25
26 Cover, Thermo Switch	867 972 525 B		2.55
27 Pipe, Water			
1992-97			
100 Series			
FWD			
w/Calif Emission	078 121 071 AC		205.60
w/o Calif Emission	078 121 071 S		216.65
AWD	078 121 071 S		216.65
A6	078 121 071 BF		136.90
1998			
A6			
Wagon	078 121 071 BF		136.90
28 Hose, Water Pipe			
1992-97	078 121 058 L		12.95
1998			
A6			
Wagon	078 121 058 J		9.90
<i>Order by Application</i>			
29 Pipe, Water	078 121 075 L		16.25
30 Pump, Water			
1992-94			
100 Series	078 121 004 CX	m 2.8	R147.95
1995-97			
A6	078 121 006	m 2.8	171.10
1998			
A6			
Wagon	078 121 006	m 2.8	171.10
31 Belt, Drive			
1992			
100 Series	078 903 137 P	1.0	59.55
1993-94			
100 Series			
To VIN R029517	078 903 137 P	1.0	59.55
From VIN R029518	078 903 137 AJ	1.0	41.30
1995-98			
A6-See Timing Belt in Engine/Trans Section			

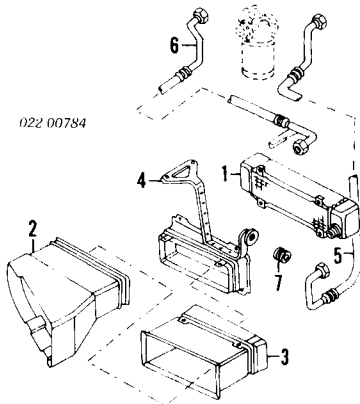
**INTERCOOLER**



1 Cooler, Turbo Air #wFront Bumper Assy Removed	4A0 145 805 J	m	#6	423.90
2 Bracket, Upper	4A0 145 841 A	m		14.30
3 Support, Cooler	4A0 145 812 A	m		16.45
4 Bracket, Lower	4A0 145 813	m		10.25
5 Duct, Air	4A0 117 339 A			40.90
6 Hose, Cooler Outlet	034 145 746 AQ	2		157.50
7 Hose, Cooler Intake	034 145 720 D			65.40
8 Hose, Turbocharger	034 145 746 AM	2		157.90

**ENGINE OIL COOLER**

5 CYL



1 Cooler, Engine Oil	034 117 021 B	m	1.0	297.10
2 Duct, Air Front	4A0 117 388 A		.3	40.90
3 Duct, Air Rear	4A0 117 387 A		.3	40.90
4 Bracket, Support	034 117 185 D			80.40
5 Hose, Pressure	4A0 117 125 A			311.30
6 Hose, Return	4A0 117 123 A			109.00
7 Mount, Rubber (2)	059 903 263 A			2.05

**A/C REFRIGERANT CAPACITIES**

A/C R-12 Refrigerant Capacity  
1992-93: 39-40.8 Ozs (2.43-2.55 Lbs)  
A/C R-134a Refrigerant Capacity  
1992-98: 21-22.8 Ozs (1.31-1.42 Lbs)

**A/C /HEATER/VENTILATION**

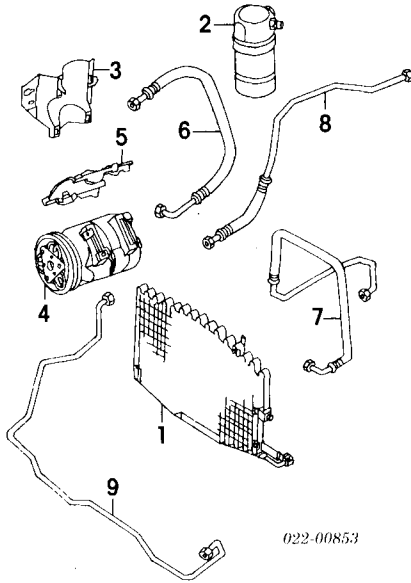
Use Procedure Explanation 6 with the following text.

Evacuate & Recharge System.....	m	1.4
Recover Refrigerant.....	m	.3

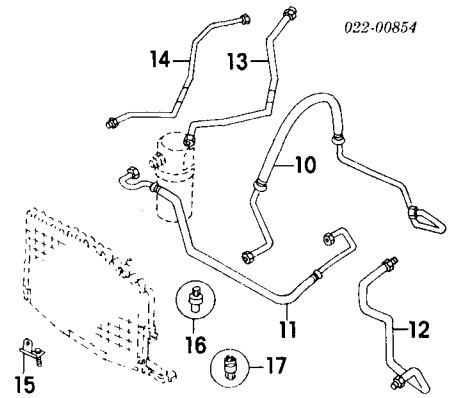
NOTE: R&R Does Not include recover, evacuate and recharge system.

Illustration Located in Next Column

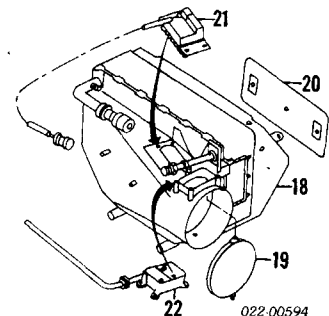
1 Condenser 1992-94 100 Series, S4 R-12 System R-134a System	4A0 260 403 A 4A0 260 403 AC	m	1.8	679.00 385.15
1995-97 A6, S6 1998 A6 Wagon	4A0 260 403 AC 4A0 260 403 AC	m	1.8	385.15 385.15
2 Receiver/Drier 1992-94 S4 Series R-12 System	4A0 260 403 AC 4A0 820 191 D	m	1.8 .6	385.15 225.65



R-134a System 100 Series	4A0 820 191 AB	m	.6	216.30
R-12 System R-134a System	4A0 820 191 E 4A0 820 191 AA	m	.6	263.45 216.30
1995-97 A6, S6 1998 A6 Wagon	4A0 820 191 AA	m	.6	216.30
3 Bracket, Receiver/Drier 1992-97 S4, S6 100 Series, A6 1998 A6 Wagon	4A0 260 197 G 4A0 260 197 E 4A0 260 197 E	m		8.65 41.95 41.95
4 Compressor Assy 1992-94 S4 R-12 System R-134a System 100 Series R-12 System R-134a System	4A0 260 805 C 4A0 260 805 AH 4A0 260 805 D 4A0 260 805 AH	m	1.8	1291.00 1291.00 1291.00 1291.00
1995-97 A6, S6 1998 A6 Wagon	4B0 260 805 B 4B0 260 805 B 4B0 260 805 B	m	1.8	954.00 954.00 954.00
Clutch & Pulley Included w/Compressor Assy	4B0 260 811 B	m	.9	365.45
5 Bracket, Compressor 1992-94 S4 100 Series A6, S6 To VIN T046054 From VIN T046055 1998 A6 Wagon	046 903 141 D 078 260 835 D 078 260 835 D 078 260 835 F 078 260 835 F	m	#3	420.55 36.80 36.80 36.85 36.85
#w/Compressor Removed	4A0 260 835 F	m	#3	36.85
6 Hose, Suction S4 R-12 System R-134a System	4A0 260 701 E 4A0 260 701 AA	m	#6	144.30 144.30
7 Hose, Suction (a) 100 Series A6, S6 1995-97 R-12 System R-134a System To VIN T075000 From VIN T075001 1998 A6 Wagon	4A0 260 701 D 4A0 260 701 D 4A0 260 701 AD 4A0 260 701 AL 4A0 260 701 AL	m	#6	144.30 144.30 144.30 144.30 144.30
8 Hose, Discharge S4 R-12 System R-134a System	4A1 260 710 D 4A1 260 710 AA	m	#6	144.30 154.70
9 Hose, Discharge (a) 100 Series A6, S6 1995-97 R-12 System R-134a System 1998 A6 Wagon	4A1 260 710 C 4A1 260 710 C 4A1 260 710 AC 4A1 260 710 AC	m	#6	144.30 144.30 138.75 138.75
(a) Order by Application	4A1 260 710 AC	m	#6	138.75



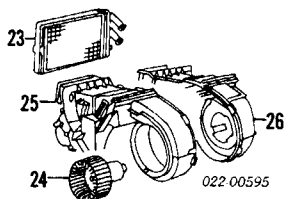
10 Hose, Drier (a) S4, S6 R-12 System R-134a System	4A0 260 707 A 4A0 260 707 AA	m	#6	200.20 198.20
11 Hose, Drier (a) 100 Series, A6 R-12 System R-134a System A6 1995-97 1998 Wagon	4A1 260 707 D 4A1 260 707 AC 4A1 260 707 AC 4A0 260 707 AA	m	#6	206.15 198.20 198.20 198.20
#Each Additional .4				
12 Pipe, Drier (a) S4, S6 R-12 System R-134a System	4A1 260 741 4A1 260 741 AA	m	.5	132.95 192.50
13 Pipe, Drier (a) 100 Series R-12 System R-134a System A6 1995-97 1998 Wagon	4A1 260 740 C 4A1 260 740 AC 4A1 260 740 AC 4A1 260 740 AA	m	.5	192.50 192.50 192.50 324.55
(a) Order by Application				
14 Pipe, Evaporator 1992-94 S4 R-12 System R-134a System 100 Series R-12 System R-134a System	4A1 260 709 E 4A1 260 709 AA 4A1 260 709 C 4A1 260 709 AC	m	.5	132.95 228.70 206.15 134.65
1995-97 A6, S6 1998 A6 Wagon	4A1 260 709 AG 4A1 260 709 AF	m	.5	155.90 155.90
15 Bracket, Pipe 1992-97 100 Series, A6 1998 A6 Wagon	R/L 4A0 260 759 AB R/L 4A0 260 759 AS	m		6.15 11.75
16 Switch, Comp Safety (a) 1992-97 R-12 System R-134a System 1998 A6 Wagon	893 959 482 A 8A0 959 482 AA 8A0 959 482 AA	m	.4	143.15 49.95 49.95
17 Switch, Pressure (a) 1992-97 R-12 System R-134a System 1998 A6 Wagon	443 959 482 B 8A0 959 482 AB 8A0 959 482 AB	m	.2	143.15 103.30 103.30
(a) Order by Application				
18 Evaporator 1992-94 100 Series, S4				



# AUDI 100/A6/S4/S6 1992-98

## A/C /HEATER/VENTILATION Cont'd

R-12 System	4A1 260 122	m	1.8	847.00
R-134a System	4A1 260 122 AG	m	1.8	823.00
1995-97				
A6, S6				
w/Pollen Filter	4A1 260 122 AG	m	1.8	823.00
w/o Pollen Filter	4A1 260 122 AC	m	1.8	823.00
1998				
A6				
Wagon				
w/Pollen Filter	4A1 260 122 AG	m		823.00
w/o Pollen Filter	4A1 260 122 AC	m		823.00
†Order by Application				
19 Flap, Evaporator	4A0 260 203	m	65.35	
20 Flap, Rear	R/L 4A0 260 205	m	33.90	
21 Control, Blower				
1992-97	4D0 820 521 A	m	247.10	
1998				
A6				
Wagon	4D0 820 521 A	m	247.10	
22 Motor, Adjust	4A0 820 511 A	m	140.40	



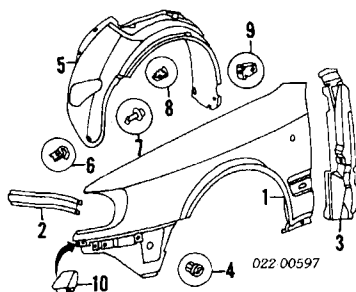
23 Core, Heater	443 819 030	m	3.6	127.65
24 Motor, Blower	4A0 959 101 A	m	1.0	237.15
25 Housing, Blower Right	4A0 819 096	m	#3.6	95.20
26 Housing, Blower Left	4A0 819 095	m	#3.6	95.20
†R&R Complete, Includes R&R Heater Core & Blower Motor				

## FRONT FENDER

Use Procedure Explanations 7 and 28 with the following text.

### SHEET METAL

Refinish Fender Outside.....	R/L	2.4
Add to Edge.....	R/L	5
R&I Fender Assy.....	R/L	#3.1
†Includes R&I Bumper Assy, R&I/R&R Park/Signal Lamp Assy & Liner		
Add to R&R Fender		
To Drill Holes for Installation		
One Moulding.....	R/L	3
Each Additional Moulding.....	R/L	2

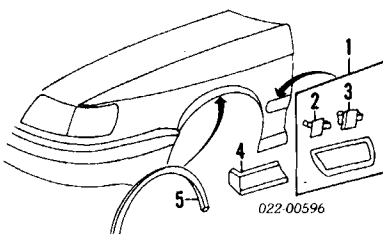


1 Fender				
1992-94				
100 Series	R/L 4A0 821 106-5	#3.6	255.05	
S4	R 4A0 821 106 B	#3.6	414.10	
	L 4A0 821 106 F	#3.6	371.30	
1995-97				
A6	R 4A0 821 106 D	#3.6	371.30	
	L 4A0 821 105 D	#3.6	371.30	
S6	R 4A0 821 106 F	#3.6	371.30	
	L 4A0 821 105 F	#3.6	371.30	
1998				
A6				
Wagon	R 4A0 821 106 D	#3.6	371.30	
	L 4A0 821 105 D	#3.6	371.30	
†Includes R&I Bumper Assy, R&I/R&R Park/Signal Lamp Assy & Liner				
2 Brace, Front				
1992-94				
100 Series, S4	R/L 4A0 821 138-7	2	15.75	
1995-97				
A6, S6	R 4A0 821 138 A	2	27.95	
	L 4A0 821 137 A	2	27.95	
1998				
A6				
Wagon	R 4A0 821 138 A	2	27.95	
	L 4A0 821 137 A	2	27.95	
3 Plate, End				
	R 4A0 821 086 D		22.15	
	L 4A0 821 085 D		22.15	
4 Nut, Cap†(2/Side)	R/L N 902 521 04		.58	
†Required when Installing Fender				
5 Liner, Fender				
1992-94				

100 Series	R 4A0 821 172 B	.6	35.95
	L 4A0 821 171 B	.6	35.95
S4	R 4A0 821 172 C	.6	51.40
	L 4A0 821 171 C	.6	41.00
1995-97			
A6	R 4A0 821 172 D	.6	49.95
	L 4A0 821 171 D	.6	49.95
S6	R 4A0 821 172 C	.6	51.40
	L 4A0 821 171 C	.6	41.00
1998			
A6			
Wagon	R 4A0 821 172 D	.6	49.95
	L 4A0 821 171 D	.6	49.95
6 Clip, Skirt (2/Side)	R/L 4A0 805 163		1.20
7 Pin (2/Side)	R/L 4A0 805 121 A		2.80
8 Clip, Skirt	R/L 4A3 821 699		.52
9 Nut, Rear (14)	811 807 577 C		.73
10 Grommet, Fender			
1992-94	R 4A0 821 190 A		2.70
	L 4A0 821 189 A		2.70
1995-97	R 4A0 821 190 B		3.20
	L 4A0 821 189 B		3.20
1998			
A6			
Wagon	R 4A0 821 190 B		3.20
	L 4A0 821 189 B		3.20

## EXTERIOR TRIM

Refinish Side Moulding Assy.....	R/L	.3
Refinish Wheel Opening Trim.....	R/L	.3
R&I Side Moulding Assy.....	R/L	.3
R&I Wheel Opening Trim.....	R/L	.3



1 Moulding Assy, Side			
1992-94	R 4A0 853 972 3FZ	.3	49.00
	L 4A0 853 971 3FZ	.3	49.00
1995-97			
A6	R 4A0 853 972 D GRU	.3	19.75
	L 4A0 853 971 D GRU	.3	19.75
S6 (P)	R 4A0 853 972 D GRU	.3	19.75
	L 4A0 853 971 D GRU	.3	19.75
1998			
A6			
Wagon	R 4A0 853 972 D GRU	.3	19.75
	L 4A0 853 971 D GRU	.3	19.75

(P) Paint to Match

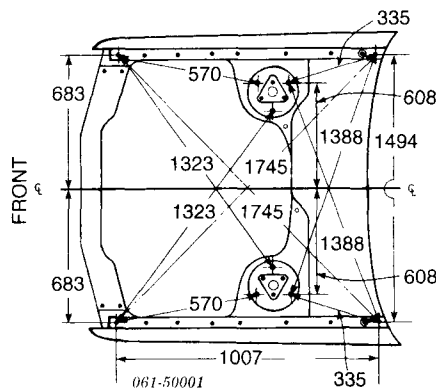
2 Clip, Front†	100 Series, S4	92-94 R/L 4A0 853 825 E	2.45
3 Clip, Rear†			
1992-94	R/L 4A0 853 825 D	1.20	
1995-97	R 4A0 853 826 F	2.55	
	L 4A0 853 825 F	1.50	
1998			
A6			
Wagon	R 4A0 853 826 F	2.55	
	L 4A0 853 825 F	1.50	
Emblem, Mid†	R/L 4A0 853 621 2ZZ	14.10	
†Included w/Side Moulding Assy			

4 Cover, Trim Lower			
1992-94			
100 Series	R 4A0 853 990 01C	18.80	
	L 4A0 853 989 01C	18.80	
S4	R 4A0 853 990 01C	18.80	
	L 4A0 853 989 A 3FZ	35.25	
1995-97			
A6	R 4A0 853 990 01C	18.80	
	L 4A0 853 989 01C	18.80	
S6	R 4A0 853 990 01C	18.80	
	L 4A0 853 989 A 3FZ	35.25	
1998			
A6			
Wagon	R 4A0 853 990 01C	18.80	
	L 4A0 853 989 01C	18.80	

5 Trim, Wheel Opening (P)			
1992-94			
100 Series	R 4A0 853 718 GRU	.3	113.10
	L 4A0 853 717 GRU	.3	113.10
S4	R 4A0 853 718 A GRU	.3	149.60
	L 4A0 853 717 A GRU	.3	d56.80
1995			
To 9-94	R 4A0 853 718 A GRU	.3	149.60
	L 4A0 853 717 A GRU	.3	d56.80
From 10-94	R 4A0 853 718 C GRU	.3	136.80
	L 4A0 853 717 C GRU	.3	136.80
1996-97			
	R 4A0 853 718 C GRU	.3	136.80
	L 4A0 853 717 C GRU	.3	136.80
1998			
A6			
Wagon	R 4A0 853 718 C GRU	.3	136.80
	L 4A0 853 717 C GRU	.3	136.80

(P) Paint to Match

## UNDERHOOD DIMENSIONS

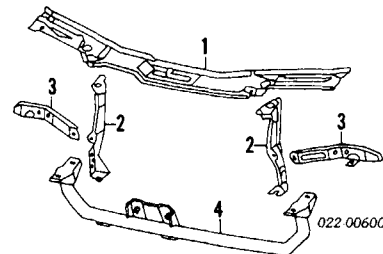


## FRONT INNER STRUCTURE

Use Procedure Explanations 8 and 28 with the following text.

### FRONT

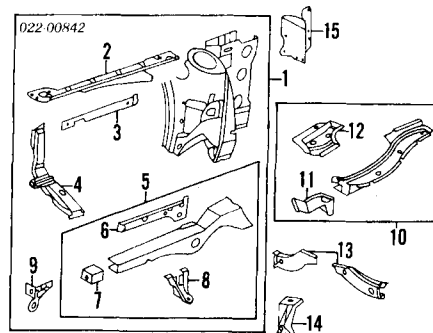
Refinish Radiator Support Assy.....	1.5
Refinish Upper Tie Bar.....	.5
Refinish Outer Support.....	R/L .5
R&R Front Support Complete.....	#4.5
†Includes R&R Upper Tie Bar, Outer Supports, H/Lamp Supports, Lower Crossmember, R&I H/Lamp Assemblies, R&I/R&R Washer Reservoir, Tie Bar Seal, Engine Under Cover, Air Cleaner & Duct, Disconnect & Connect Release Cable & Wiring as Necessary	
Add to R&R Front Support Complete	
To R&R Base Model Mechanical Components.....	m #1.0
†Includes R&R A/C Condenser & Receiver/Drier	
To Aim Lamps.....	.4
w/5 Cyl.....	.2
w/Auto Trans.....	.2
w/Turbo.....	.4
w/Oil Cooler.....	.4
Evacuate & Recharge System.....	m 1.4
Recover Refrigerant.....	m .3



1 Bar, Upper Tie	4A0 805 591 A	.6	93.15
2 Support, Outer	R/L 4A0 805 800-799	#8	59.15
3 Support, Headlamp	R 4A0 805 606 B	#8	37.30
	L 4A0 805 605 B	#8	37.30
†w/Necessary Bolted Parts Removed			
4 Crossmember, Lower	4A0 199 519 F	s	154.05

### SIDE

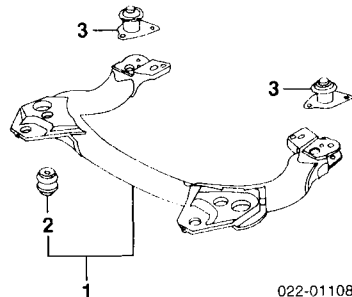
Refinish Apron Assy w/Sidemember.....	R/L	1.5
Refinish Apron Assy.....	R/L	1.0
Refinish Sidemember Assy.....	R/L	1.0



1 Apron Assy		
1992-95		

To VIN S075000	R 4A1 809 106 D	s #8.5	668.00
	L 4A1 809 105 D	s #8.5	668.00
From VIN S075001	R 4A1 809 106 G	s #8.5	689.00
	L 4A1 809 105 D	s #8.5	668.00
1996			
FWD	R 4A1 809 106 G	s #8.5	689.00
	L 4A2 809 105 E	s #8.5	668.00
AWD	R 4A0 809 106 A	s #8.5	668.00
	L 4A1 809 105 D	s #8.5	668.00
1997			
FWD	R 4A1 809 106 G	s #8.5	689.00
	L 4A2 809 105 E	s #8.5	668.00
AWD	R 4A1 809 106 G	s #8.5	689.00
	L 4A1 809 105 D	s #8.5	668.00
1998			
A6			
Wagon	R 4A0 809 106 A	s #8.5	668.00
	L 4A1 809 105 D	s #8.5	668.00
<b>#w/Suspension Assemblies &amp; Necessary Bolted Parts Removed</b>			
2 Reinf, Apron Frt]]	R 4A0 805 304 B	s 2.5	106.40
	L 4A0 805 303 B	s 2.5	106.40
3 Plate, Apron End]]	R 4A0 805 362 B	s	25.60
	L 4A0 805 361 B	s	25.60
4 Strut, Apron Upper]]	R 4A0 805 870	s	132.45
	L 4A0 805 869 B	s	132.45
5 Rail Assy]]	R 4A0 803 114 A	s #10.0	445.45
	L 4A0 803 113 A	s #10.0	445.45
<b>#w/Suspension Assemblies &amp; Necessary Bolted Parts Removed</b>			
Reinf, Rail]] (a)			
1992-94	R 4A0 803 116 C	s	64.65
	L 4A0 803 115 C	s	64.65
1995-97	R 4A0 803 116 C	s	64.65
	L 4A0 803 115 C	s	64.65
1998			
A6			
Wagon	R 4A0 803 116 C	s	64.65
	L 4A0 803 115 C	s	64.65
6 Plate, Cover]] (a)	R 4A0 803 158 A	s	40.90
	L 4A0 803 157 J	s	39.75
7 Mount, Absorber]] (a)	R/L 4A0 805 677 C	s	31.30
8 Bracket]] (a)	R 443 803 112	s	20.05
<b>(a) Included w/Rail Assy</b>			
9 Hook, Towing]]	R 4A0 803 071 C	1.0	34.55
<b>#Included w/Apron Assy</b>			
10 Rail Assy, Rear	R 4A0 803 104 C	s #6.0	428.85
	L 4A0 803 103 D	s #6.0	428.85
<b>#w/Necessary Bolted Parts Removed</b>			
11 Rail, Center (a)	R 4A0 803 208	s	247.30
	L 4A0 803 207 B	s	247.30
12 Plate, Mounting (a)	R/L 4A0 803 614-3	s	98.90
<b>(a) Included w/Rear Rail Assy</b>			
13 Crossmember	R/L 443 803 896-5	s 2.5	52.70
14 Bracket, Towing Eye	4A0 805 957		21.25
15 Cover, Eng Compt	R 4A0 863 188 D		13.25
	L 4A0 863 187 D		13.25
Bracket, ABS Pump			
1992-95			
FWD	4A0 614 119 C		31.35
AWD	4A0 614 119 D		31.35
1996-97	4A0 614 119 H		15.45
1998			
A6			
Wagon	4A0 614 119 H		15.45

**SUB-FRAME**



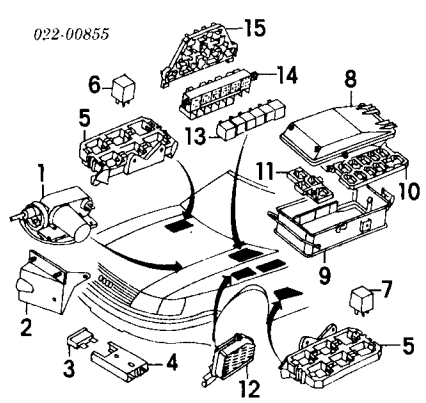
022-01108

1 Sub-Frame Assy	4A0 399 313 L	m #3.0	641.00
<b>#Includes R&amp;R Front &amp; Rear Mounts, Not Included in O/H</b>			
2 Mount, Front]]	R/L 4A0 399 415 B	.6	31.35
<b>#Included w/Sub-Frame Assy</b>			
3 Mount, Rear	R 4A0 399 420 E	.6	91.95
	L 4A0 399 419 E	.6	91.95

**ELECTRICAL COMPONENTS**

Illustration Located in Next Column

1 Actuator, Cruise Control	4B0 907 325	m .5	153.80
2 Bracket, Actuator	4A0 907 341	m	18.50
3 Fuse, Electric Fan			
	N 102 519 02		7.40
	N 102 519 01		7.40
4 Holder, Fuse	8A0 937 530		3.35
5 Plate, Relay]]	R 4A0 937 503	m	7.80
	L 4A0 937 503 C	m	13.60
6 Switch, Thermo]]	443 937 105	m	12.45



022-00855

7 Relay, Electric Window]]	8A0 951 253 A	m	54.70
<b>#Order by Application</b>			
8 Cover, Relay Box	4A0 941 801		27.10
9 Box, Relay	4A0 941 803		15.15
10 Plate, Relay (13 Point)	4A0 937 503 A		14.00
11 Plate, Relay (4 Point)	4A0 937 503 B		14.00
12 Holder, Fuse	4A1 941 824		32.55
13 Relay, Horn]]	141 951 253 B		4.00
<b>#Order Additional Relays by Application</b>			
14 Box, Fuse/Relay	4A0 941 822		184.85
15 Bracket, Fuse Box]]	4A0 937 545		14.50
<b>#Order by Application</b>			

**AIR BAG SYSTEM**

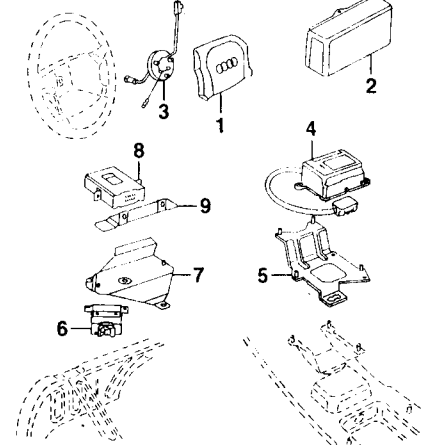
**NOTE 1:** R&R Does Not include disable and enable or diagnose Air Bag System.

**NOTE 2:** Refer to Procedural Explanation 30 for Supplemental Restraint/Air Bag System Component Inspection and Replacement Information.

**NOTE 3:** For Air Bag System Service procedures, refer to Manufacturer's Service Repair Manual or Mitchell's Air Bag Service and Repair Manual.

**100 SERIES, S4**

Disable & Enable Air Bag System	m	.3
Diagnose Air Bag System (If Required)	m	#.5
<b>#Includes Disconnect &amp; Connect Scan Tool &amp; Retrieve/Clear Trouble Codes</b>		

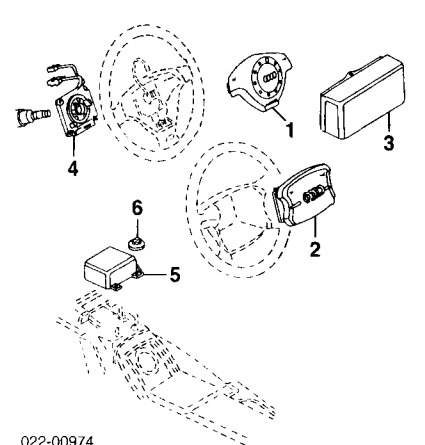


022-00973

1 Module, Driver Side Air Bag	4A0 880 201 01C	m .5	782.00
2 Module, Pass Side Air Bag	441 880 203	m 3.0	2100.00
3 Spring, Spiral	4A0 951 543	m	329.90
4 Control Unit			
Single Air Bag	443 959 655 E	m #1.5	945.00
Dual Air Bags	4A0 959 655	m #1.5	1221.00
5 Bracket, Control	92 4A0 959 677 C	m #1.5	28.65
	93-94 4A0 959 677 E	m #1.5	20.10
<b>#R&amp;R Complete</b>			
6 Module, Energy Reserve	92 443 959 659	m #.5	140.10
7 Bracket, Accumulator	92 4A0 907 369 A	m #.5	30.95
8 Transformer, Voltage	92 443 959 663 B	m #.5	307.20
9 Bracket, Transformer	92 4A0 959 683	m #.5	9.40
<b>#R&amp;R Complete</b>			

**A6, S6**

Disable & Enable Air Bag System	m	.3
Diagnose Air Bag System (If Required)	m	#.5
<b>#Includes Disconnect &amp; Connect Scan Tool &amp; Retrieve/Clear Trouble Codes</b>		



022-00974

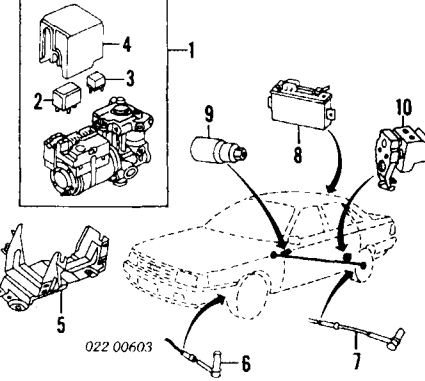
1 Module, Driver Side Air Bag	4A0 880 201 L 01C	m .5	782.00
2 w/Sport Strg Wheel	4A0 880 201 N 01C	m .5	782.00
3 Module, Passenger Side Air Bag	4A0 880 203 B	m 3.0	886.00
4 Spring, Spiral	4A0 951 543 D	m 1.0	205.10
5 Control Unit	95 4D0 959 655 A	m .5	427.80
	96-97 8A0 959 655 D	m .5	594.00
6 Nut, Lock (3)	N 011 183 12	m	.82

**ABS/BRAKES**

**1992-95**

Bleed System..... m .4

**NOTE:** R&R Does Not include bleed brake system.



022 00603

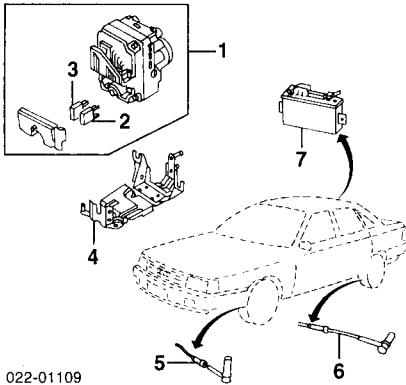
1 Pump Assy, ABS			
FWD	4A0 614 111 F	m .8	1542.00
AWD	4A0 614 111 E	m .8	1484.00
2 Relay, Pump]]	4A0 927 841	m .3	51.25
3 Relay, Contact]]	4A0 927 843 A	m .3	62.05
4 Cover, Pump]]	4A0 614 112	m	10.85
<b>#Included w/ABS Pump Assy</b>			
5 Brkt, ABS Pump-See Front Inner Structure Section			
6 Sensor, Front			
100 Series, A6, S6	R/L 4A0 927 803	m #.5	162.25
S4	R/L 4A0 927 803 A	m #.5	162.25
Brkt, Front Sensor	R 443 971 846	m #.5	5.75
	L 443 971 845 C	m #.5	5.20
<b>#R&amp;R One Side Complete, R&amp;R Both Sides .8</b>			
7 Sensor, Rear			
100 Series, S4			
FWD	92-94 R/L 4A0 927 807	m #.7	162.25
AWD	92-94 R/L 4A0 927 807 C	m #.7	162.25
A6	95 R/L 4A0 927 807	m #.7	162.25
S6	95 R/L 4A0 927 807 E	m #.7	162.25
Brkt, Rear Sensor			
-FWD	R/L 811 971 848 E	m #.7	1.10
AWD	R 443 971 846	m #.7	5.75
	L 443 971 845 C	m #.7	5.20
<b>#R&amp;R One Side Complete, R&amp;R Both Sides 1.0</b>			
8 Control Unit, ABS			
100 Series, S4			
FWD	4A0 907 379 C	m .5	865.00
AWD			
Man Trans	92-94 857 907 379 D	m .5	732.00
Auto Trans	92-94 441 907 379	m .5	732.00
A6, S6			
FWD	95 4A0 907 379 A	m .5	865.00
AWD	95 4A0 907 379 E	m .5	346.45
9 Regulator, Pressure			
AWD	443 614 151 K	m .5	133.25
10 Regulator, Pressure			
FWD			
w/SLS	443 614 151 B	m	647.00
w/o SLS	443 614 151 H	m	341.80
AWD	443 614 151 J	m	298.70

**ABS/BRAKES Cont'd**

1996-98

Bleed System.....m 4

NOTE: R&R Does Not include bleed brake system.



022-01109

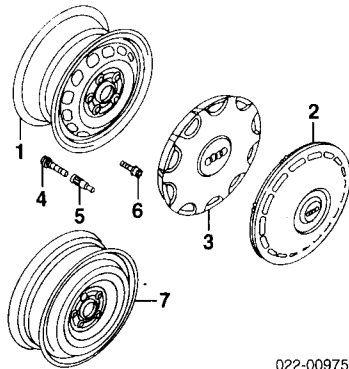
<b>1 Pump Assy, ABS</b>				
FWD	8D0 614 111 A	m	.8	1363.00
AWD	4D0 614 111 B	m	.8	1591.00
<b>Relay</b>				
2 4 Pin	4A0 927 841	m	.3	51.25
3 6 Pin	4D0 927 843	m	.3	41.65
*Included w/ABS Pump Assy				
<b>4 Bracket, ABS Pump</b>	4A0 614 119 H	m		15.45
<b>5 Sensor, Front</b>	R/L 4A0 927 803	m	#.5	162.25
#R&R One Side, R&R Both Sides Deduct .2				
<b>6 Sensor, Rear</b>				
FWD	R/L 4A0 927 807	m	#.7	162.25
AWD	R/L 4A0 927 807 E	m	#.7	162.25
#R&R One Side, R&R Both Sides Deduct .4				
<b>7 Control Unit, ABS</b>				
FWD	4D0 907 379 G	m	.5	782.00
AWD	96 4D0 907 379 J	m	.5	782.00
	97-98 4D0 907 379 L	m	.5	782.00

**WHEEL**

Use Procedure Explanation 10 with the following text.

**STEEL WHEEL**

Refinish Wheel.....	5
Add to R&I Spare Wheel & Tire Assy.....	2



022-00975

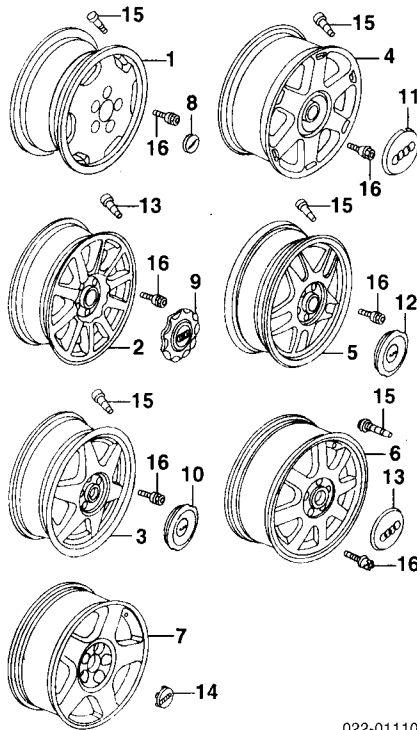
<b>1 Wheel, Steel</b>				
15x6"	4B0 601 027 03C	.3		78.75
15x7"	4A0 601 025 K Y7N	.3		194.15
<b>Cover, Wheel</b>				
1992-94	4A0 601 147 Z7C			61.65
1995-96	4A0 601 147 B Z17			41.10
<b>Stem, Valve</b>	281 601 361			1.10
<b>Extension, Valve</b>	380 601 373 A			2.30
<b>Bolt, Lug</b>	8D0 601 139 D			3.00
<b>Wheel, Spare</b>	447 601 025 S 03C			86.40

**ALLOY WHEEL**

Add to R&I Spare Wheel & Tire Assy.....	2
---	---

Illustration Located in Next Column

Wheel, Alloy  
1 Type 1



022-01110

15x6"	4A0 601 025 A Z7P	.3	498.80
<b>2 Type 2</b>			
15x7"	4A0 601 025 B Z7P	.3	498.80
17x8"	4A0 601 025 M U7A	.3	577.00
<b>3 Type 3</b>			
15x7-1/2"	4A0 601 025 D Z7P	.3	461.80
16x8"	4A0 601 025 E Z7P	.3	535.00
<b>4 Type 4</b>			
16x7-1/2"	895 601 025 M Z17	.3	461.80
<b>5 Type 5</b>			
15x7"	4A0 601 025 G Z7P	.3	461.80
<b>6 Type 6</b>			
15x7"	8D0 601 025 B Z17	.3	382.70
<b>7 Type 7</b>			
16x7"	8D0 601 025 C Z17	.3	372.70
<b>Cap, Center</b>			
Type 1 Wheel	893 601 170 Z7C		21.50
Type 2 Wheel	4A0 601 165 B Z7C		34.20
<b>10 Type 3 Wheel</b>			
15x7-1/2" Wheels	4A0 601 165 A Z7C		34.20
16x8" Wheels	4A0 601 165 Z7C		34.20
<b>11 Type 4 Wheel</b>	895 601 165 Z17		24.25
<b>12 Type 5 Wheel</b>	4A0 601 165 Z7C		34.20
<b>13 Type 6 Wheel</b>	8D0 601 165 B Z17		23.90
<b>14 Type 7 Wheel</b>	8D0 601 170 A Z7J		16.90
<b>Emblem, Center Cap</b>			
Type 3, Type 5 Wheel	443 601 153		10.80
<b>15 Stem, Valve</b>			
FWD	281 601 361		1.10
AWD	281 601 361		1.10
<b>16 Bolt, Lug</b>	8D0 601 139 D		3.00

**FRONT SUSPENSION**

Use Procedure Explanation 11 with the following text.

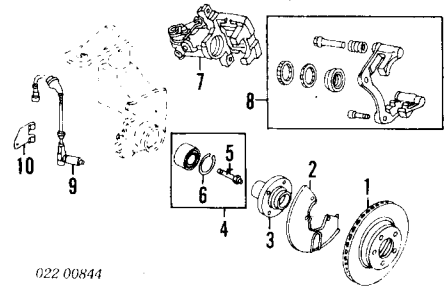
**100 SERIES, A6**

R&I Suspension (One Side).....	R/Lm	2.0
O/H Suspension (Includes R&I)		
One Side.....	R/Lm	4.2
Both Sides.....	m	6.7
Adjust Four Wheel Alignment		
AWD.....	m	1.8
Adjust Front Alignment.....	m	1.3
Bleed Brake System		
w/ABS.....	m	.4
w/o ABS.....	m	.3

NOTE 1: R&I/R&R or O/H Does Not include alignment or bleed brake system.

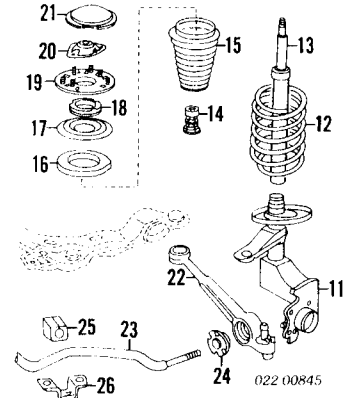
NOTE 2: Refer to Special Cautions Section at the beginning of this vehicle text.

NOTE 3: All Parts in this section are included in overhaul unless noted otherwise.



022 00844

<b>1 Rotor, Brake</b>	R/L 4A0 615 301 C	m	#.9	81.75
#R&R Both Sides 1.6				
<b>2 Shield, Splash</b>	R 441 615 312 AB	m	#.2	29.45
	L 441 615 311 AB	m	#.2	29.45
#w/Hub & Rotor Removed				
<b>3 Hub, Wheel</b>	R/L 4A0 407 615 F	m	#2.7	174.25
<b>4 Bearing Assy, Wheel</b>	R/L 4A0 498 625 A	m	#2.7	125.80
<b>5 Bolt, Locking</b>	R/L 4B0 407 643 A	m	#2.7	7.10
*Included w/Wheel Bearing Assy				
#R&R One Side Complete, Includes R&R Rotor				
<b>6 Ring, Snap-Serviced w/Wheel Bearing Kit</b>				
<b>7 Caliper, Brake</b>	R 4A0 615 124 A	m	#.5	308.60
	L 4A0 615 123 A	m	#.5	308.60
<b>8 Carrier, Caliper</b>	R/L 4A0 615 125 A	m	#.5	194.35
#R&R One Side Complete, w/Rotor Removed .2, R&R Both Sides .8				
<b>9 Sensor, Front-See ABS/Brakes Section</b>				
<b>10 Bracket, Frt Sensor-See ABS/Brakes Section</b>				
<b>Hose, Brake</b>	R/L 4A0 611 707	m	#.3	48.60
#w/Caliper Removed .1				



022 00845

<b>11 Housing, Strut</b>				
1992-94				
100 Series				
FWD				
To VIN P001983	R 4A0 412 026 S	m	#.3.4	514.00
	L 4A0 412 025 S	m	#.3.4	514.00
From VIN P001984	R 4A0 412 026 AA	m	#.3.4	514.00
	L 4A0 412 025 AA	m	#.3.4	514.00
AWD	R 4A0 412 026 AA	m	#.3.4	514.00
	L 4A0 412 025 AA	m	#.3.4	514.00
1995-97				
A6	R 4A0 412 026 AA	m	#.3.4	514.00
	L 4A0 412 025 AA	m	#.3.4	514.00
1998				
A6				
Wagon	R 4A0 412 026 AA	m	#.3.4	514.00
	L 4A0 412 025 AA	m	#.3.4	514.00
	R/L 4A5 411 105 G	m	#.3.4	158.05
<b>12 Spring, Coil</b>				
*Order by Application				
<b>13 Absorber, Shock</b>	R/L 4A0 413 031 D	m	#.3.4	162.75
<b>14 Pad, Stop</b>	R/L 4A0 412 131	m	#.3.4	22.40
<b>15 Boot, Spring</b>	R/L 431 412 175 D	m	#.3.4	11.10
<b>16 Ring, Damping</b>				
1 Notch	R/L 4A0 411 109 A	m	#.3.4	11.85
2 Notches	R/L 4A0 411 109	m	#.3.4	11.20
<b>17 Seat, Spring Upper</b>	R/L 4A0 412 111 B	m	#.3.4	26.60
<b>18 Bearing</b>	R/L 4A0 412 249	m	#.3.4	16.20
<b>19 Support, Spring</b>	R/L 4A0 412 321 C	m	#.3.4	54.15
<b>20 Mounting, Strut</b>	R/L 4A0 412 377 C	m	#.3.4	100.85
<b>21 Cap, Protective</b>	R/L 4A0 412 375 B	m	#.3.4	2.10
#R&R One Side Complete, R&R Both Sides 6.4, Includes R&R Rotor, Hub, Bearings & Splash Shield				
<b>22 Arm, Track</b>	R/L 4A0 407 152-1	m	#.1.1	302.85
#w/Strut Housing Removed .5				
<b>23 Bar, Stabilizer</b>				
FWD				
Sedan	4A0 411 309 A	m	#.1.9	265.25
Wagon	4A0 411 309 G	m	#.1.9	265.25
AWD				
28mm	4A0 411 309 G	m	#.1.9	265.25
27mm	4A0 411 309 H	m	#.1.9	265.25
28mm	4A0 411 309 K	m	#.1.9	304.70
<b>24 Bush, Bar Otr (2/Side)</b>	R/L 4A0 407 181 A	m	#.1.9	7.20
<b>25 Bushing, Bar Inner</b>				
FWD				

Sedan	R/L 4A0 411 327 A	m #1.9	16.45
Wagon	R/L 4A0 411 327 G	m #1.9	15.90
AWD			
26mm	R/L 4A0 411 327 G	m #1.9	15.90
27mm	R/L 4A0 411 327 H	m #1.9	d15.15
28mm	R/L 4A0 411 327 J	m #1.9	15.10
26 Bracket, Bar Inner	R/L 4A0 411 336 D	m #1.9	34.80

Order by Application  
#R&R Complete, Not Included in O/H

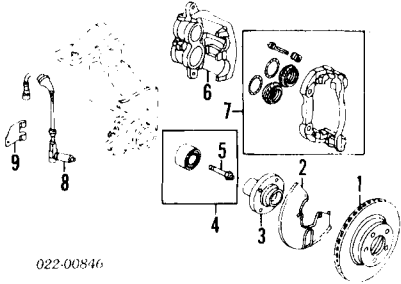
**S4, S6**

R&I Suspension (One Side)	R/Lm	2.0
O/H Suspension (Includes R&I)		
One Side	R/Lm	4.2
Both Sides	m	6.7
Add to O/H Suspension		
w/S4 Series	m	6
Adjust Four Wheel Alignment		
AWD	m	1.8
Adjust Front Alignment	m	1.3
Bleed Brake System		
w/ABS	m	4
w/o ABS	m	3

NOTE 1: R&I/R&R or O/H Does Not include alignment or bleed brake system.

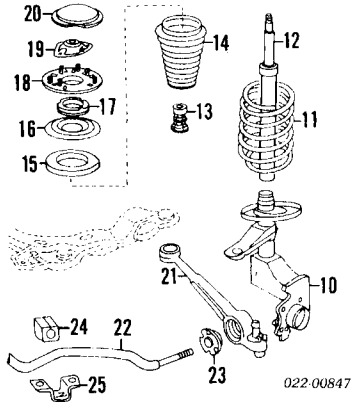
NOTE 2: Refer to Special Cautions Section at the beginning of this vehicle text.

NOTE 3: All Parts in this section are included in overhaul unless noted otherwise.



022-00846

1 Rotor, Brake	R/L 441 615 301 A	m #9	111.50
#R&R Both 1.6			
2 Shield, Splash	R 441 615 312 AB L 441 615 311 AB	m #2	29.45
#w/Hub & Rotor Removed			
3 Hub, Wheel	R/L 441 501 653 B	m #2.7	300.35
4 Bearing Assy, Wheel	R/L 4A0 498 625	m #2.7	125.80
#R&R One Side Complete, Includes R&R Rotor			
5 Bolt, Locking	R/L 4B0 407 643 A	m	7.10
#Included w/Wheel Bearing Assy			
6 Caliper, Brake	R/L 447 615 124-3	m #5	345.05
7 Carrier, Caliper	R/L 447 615 125	m #5	313.10
#R&R One Side Complete, w/Rotor Removed .2, R&R Both Sides			
8 Sensor, Front-See ABS/Brakes Section			
9 Bracket, Frt Sensor-See ABS/Brakes Section			
Hose, Brake	R/L 4A0 611 707	m #3	48.60
#w/Caliper Removed .1			



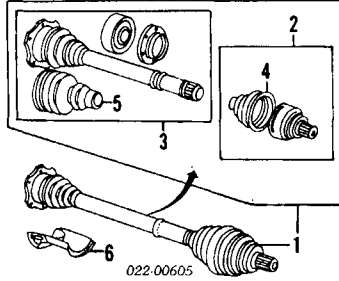
022-00847

10 Housing, Strut			
S4	92-94 R 4A0 412 026 G L 4A0 412 025 G	m #3.4	514.00
S6	95-97 R 4A0 412 026 AB L 4A0 412 025 AB	m #3.4	514.00
11 Spring, Coil	R/L 4A5 411 105 G	m #3.4	158.05
Order by Application			
12 Absorber, Shock			
S4	R/L 4A0 413 031 K	m #3.4	309.35
S6	R/L 4A0 413 031 J	m #3.4	325.60
13 Pad, Stop	R/L 445 412 131	m #3.4	28.80
14 Boot, Spring	R/L 431 412 175 D	m #3.4	11.10
15 Ring, Damping			
1 Notch	R/L 4A0 411 109 A	m #3.4	11.85

2 Notches	R/L 4A0 411 109	m #3.4	11.20
16 Seat, Spring Upper	R/L 4A0 412 111 B	m #3.4	26.60
17 Bearing	R/L 4A0 412 249	m #3.4	16.20
18 Support, Spring	R/L 4A0 412 321 C	m #3.4	54.15
19 Mounting, Strut	R/L 4A0 412 377 C	m #3.4	100.85
20 Cap, Protective	R/L 4A0 412 375 B	m #3.4	2.10
#R&R One Side Complete, R&R Both Sides 6.4, Includes R&R Rotor, Hub, Bearings & Splash Shield			
21 Arm, Track	R/L 4A0 407 152-1	m #1.1	302.85
#w/Strut Housing Removed .5			
22 Bar, Stabilizer	4A0 411 309 K	m #1.9	304.70
23 Bushing, Bar Outer (2/Side)	R/L 4A0 407 181 A	m #1.9	7.20
24 Bushing, Bar Inner			
To VIN S080000	R/L 4A0 411 327 H	m #1.9	d15.15
From VIN S080001	R/L 4A0 411 327 J	m #1.9	15.10
25 Bracket, Bar Inner	R/L 4A0 411 336 D	m #1.9	34.80
Order by Application			
#R&R Complete, Not Included in O/H			

**FRONT DRIVE AXLE**

R&I Axle Shaft Assy	R/Lm	#1.3
w/Man Trans	R/Lm	#1.8
w/Auto Trans	R/Lm	#1.8
#w/Strut Housing Removed Deduct 1.0		



022-00605

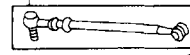
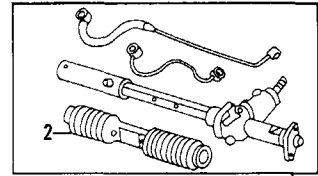
1 Shaft Assy, Axle			
FWD			
Man Trans	92-94 R 4A0 407 272 DE L 4A0 407 271 BD	m #1.3	715.00
	95 R 4A0 407 272 DE L 4A0 407 452 FX	m #1.3	927.00
	92 R 4A0 407 452 FX L 4A0 407 271 BD	m #1.3	715.00
	93-97 R 4A0 407 452 X L 4A0 407 451 X	m #1.8	R469.05
Auto Trans			
AWD			
Man Trans	R 4A0 407 272 DD L 4A0 407 271 CT	m #1.3	562.00
Auto Trans	R 4A0 407 452 X L 4A0 407 451 X	m #1.8	661.00
			R469.05
#w/Strut Housing Removed Deduct 1.0			
2 Shaft Assy, Outer	R/L 4A0 498 099	m #7	298.20
3 Joint Assy, CV Inner			
FWD			
Man Trans	R 4A0 407 274 B L 4A0 407 273 B	m #7	562.00
Auto Trans	R 4A0 407 274 D L 4A0 407 273 D	m #7	611.00
AWD			580.00
Man Trans	R/L 431 498 103 C	m #7	185.35
Auto Trans	R 4A0 407 274 D L 4A0 407 273 D	m #7	611.00
			580.00
4 Boot Kit, Outer (a)	R/L 441 498 203 A	m #7	45.30
(a) Included w/Outer Shaft Assy			
5 Boot Kit, Inner (b)	R/L 893 498 201 B	m #7	57.60
(b) Included w/Axle Shaft Assy			
(b) Included w/CV Inner Joint Assy			
#w/Axle Shaft Assy Removed, R&R One Side Complete			
6 Shield			
Man Trans	R 4A0 407 720	m	81.60
Auto Trans	L 4A0 407 719 A R 4A0 407 720 L 4A0 407 721 D	m	52.60
			81.60
			35.15

**FRONT STEERING LINKAGE/GEAR**

NOTE: R&R Does Not include adjust wheel alignment.

Illustration Located in Next Column

1 Gear Assy			
1992-94			
100	4A1 422 065 AD	m	4.8 1591.00
100S, CS	4A1 422 065 AF	m	4.8 1548.00
S4	4A1 422 065 AF	m	4.8 1548.00
1995-97			
A6, S6			
To VIN S080000	4A1 422 065 AD	m	4.8 1591.00
From VIN S080001	4A1 422 066 X	m	4.8 R921.00
1998			
A6			
Wagon	4A1 422 066 X	m	4.8 R921.00
Order by Application			
2 Boot	431 419 831	m	49.10
Included w/Gear Assy			
3 Tie Rod, Right			



022-00606

FWD			
To VIN P001983	4A0 419 802 C	m	.3 180.80
From VIN P001984	4A0 419 802 A	m	.3 180.80
AWD	4A0 419 802 A	m	.3 180.80
4 Rod Assy, Left Tie			
FWD			
To VIN P001983	4A0 419 801 C	m	.3 180.80
From VIN P001984	4A0 419 801 A	m	.3 180.80
AWD	4A0 419 801 A	m	.3 180.80
5 End, Tie Rod			
FWD			
To VIN P001983	R 4A0 419 812 A L 4A0 419 811 A	m	.3 64.45
	R 443 419 812 D	m	.3 77.60
From VIN P001984	L 443 419 811 D	m	.3 79.85
	R 443 419 812 D	m	.3 77.60
AWD	L 443 419 811 D	m	.3 79.85
#Included w/Tie Rod Assy			
6 Coupling, Tie Rod	431 419 853	m	2.80
7 Bracket, Coupling Damper Steering	443 419 313	m	31.20
S4, S6	4A0 425 021	m	.5 135.65

**STEERING PUMP**

Pump			
5 Cyl	054 145 165 LX	m	2.0 R455.45
6 Cyl	048 145 155 FX	m	2.0 R348.00
Pulley, Pump			
5 Cyl	078 145 255 K	m	1.0 36.85
6 Cyl	078 145 255 H	m	.7 41.50
Support, Pump			
5 Cyl			
To VIN S020000	054 145 521 C	m	148.10
From VIN S020001	054 145 521 D	m	326.60
6 Cyl	078 145 383 A	m	38.00
Hose, Pressure (To Gear)			
5 Cyl	4A1 422 893 Q	m	.8 199.90
6 Cyl	4A1 422 893 AA	m	.8 194.65
Hose, Suction			
5 Cyl	4A0 422 887 H	m	.8 41.50
6 Cyl	4A0 422 887 R	m	.8 138.60
Pipe, Cooling			
FWD			
92	4A0 422 885 B	m	.6 138.60
93-97	4A0 422 885 B	m	.6 138.60
AWD	4A0 422 885 B	m	.6 138.60
Hose, Return			
1992-97			
To VIN P160000	4A1 422 891 A	m	.8 48.75
From VIN P160001	4A1 422 891 C	m	.8 37.95
1998			
A6			
Wagon	4A1 422 891 C	m	.8 37.95
Pipe, Return			
5 Cyl			
To VIN R100000	4A0 422 891 A	m	.6 127.55
From VIN R100001	4A0 422 891 F	m	.6 160.50
6 Cyl			
1992-97			
To VIN R100000	4A0 422 891	m	.6 67.25
From VIN R100001	4A0 422 891 G	m	.6 48.20
1998			
A6			
Wagon	4A0 422 891 G	m	.6 48.20
Reservoir Assy, Fluid			
5 Cyl	4A0 422 371 D	m	1.0 70.90
6 Cyl	4A0 422 371 M	m	1.0 59.85
Cap, Reservoir			
5 Cyl	4A0 422 377 A	m	28.15
6 Cyl			
1995-97			
To VIN T040000	4A0 422 377 L	m	14.95
From VIN T040001	4A0 422 377 P	m	14.30
1998			
A6			
Wagon	4A0 422 377 L	m	14.95
Included w/Fluid Reservoir Assy			
Bracket, Reservoir	4A0 422 847 B	m	11.65

**STEERING WHEEL/COLUMN**

**100 SERIES, S4**

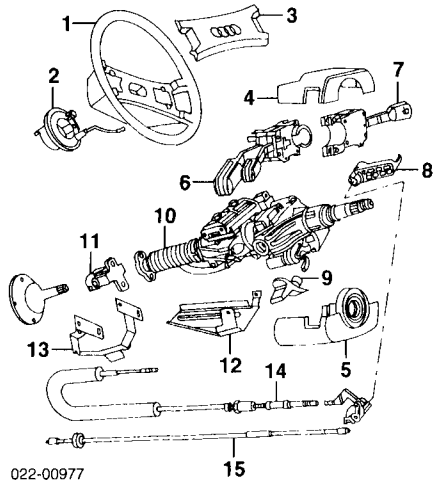
R&I Steering Column	m	1.5
O/H Steering Column (Includes R&I)	m	3.0



**STEERING WHEEL/COLUMN Cont'd**

**100 SERIES, S4 Cont'd**

NOTE: All Parts in this section are included in overhaul unless noted otherwise.

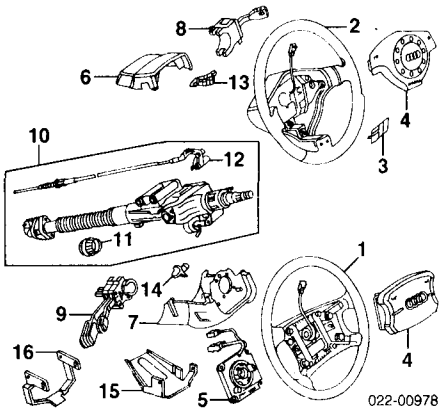


1	Wheel, Steering w/Air Bag w/o Air Bag Canada	4A0 419 091 E 9AV	m .8	740.00
2	Spring, Spiral-See Air Bag System Section Pad, Horn Canada	N.A.	m 2	0.00
3	Module, Air Bag-See Air Bag System Section			
4	Cover, Lock Hsg Up	4A1 953 515 F 01C	m #.6	12.85
5	Cover, Lock Hsg Lwr #R&R Complete	4A1 951 593 C 01C	m #.6	38.25
6	Switch, Signal/Lamps	443 953 513 K 01C	m 1.2	169.50
7	Switch, Wiper/Wash w/OBD w/o OBD	4A9 953 503 A 01C 4A9 953 503 01C	m #.6 m #.6	194.95 108.95
*Order by Application #w/100 Series Add. 2				
	Housing Assy, Lock Switch, Ignition	4A0 905 851 L 4A0 905 849 B	m 1.2 m 1.8	49.95 30.05
	Cylinder & Key, Lock #Includes R&R Ignition Switch	4A0 905 855 A	m #1.9	52.90
8	Lever, Height Adjust	4A0 419 352 01C	m	2.55
9	Lever, Tilt Adjust	4A0 419 355 01C	m	8.15
10	Column Assy	4A1 419 505 L	m 2.7	852.00
11	Joint, Lower Flange	4A0 419 525	m	71.40
12	Cable, Lower	4A1 419 597	m	6.05
13	Bracket, Column	4A1 419 397	m	9.50
14	Cable, Bowden	4A1 419 359	m	116.55
15	Cable, Adjust Man Trans Auto Trans	4A1 419 999 4A1 419 999 B	m m	154.05 96.80

**A6, S6**

R&I Steering Column	m 1.5
O/H Steering Column (Includes R&I)	m 3.0

NOTE: All Parts in this section are included in overhaul unless noted otherwise.



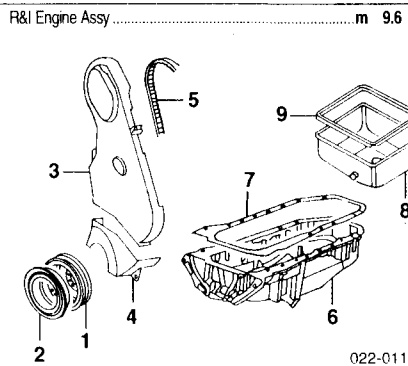
1	Wheel, Steering Standard 1992-97 w/Leather Wrap w/o Leather Wrap	4D0 419 091 J AS1 4A0 419 091 AS 01C	m .8 m .8	740.00 488.30
---	--	---	--------------	------------------

1998	A6 Wagon	4D0 419 091 J AS1	m .8	740.00
2	1992-97 1998 A6 Wagon	4D0 419 091 J AS1	m .8	740.00
3	Emblem, Sport Wheel	4A0 419 685 A		24.85
4	Module, Air Bag-See Air Bag System Section			
5	Spring, Spiral-See Air Bag System Section			
6	Cover, Lock Hsg Up	4A1 953 515 H 01C	m #.6	12.85
7	Cover, Lock Hsg Lwr #R&R Complete	4A1 953 516 H 01C	m #.6	48.35
8	Switch, Wiper/Wash w/OBD w/o OBD	8D9 953 503 A 01C 8D9 953 503 01C	m #.6 m #.6	194.95 108.95
*w/100 Series Add. 2				
9	Switch, Signal/Lamps w/Cruise Control w/o Cruise Control	4D0 953 513 C 01C 4D0 953 513 01C	m 1.2 m 1.2	137.35 80.30
	Housing Assy, Lock Switch, Ignition	4A0 905 851 J 4A0 905 849 B	m 1.2 m 1.8	49.95 30.05
	Cylinder, Lock w/Key w/o Key	4A1 905 855 C 107 905 855 BA	m #1.9 m #1.9	117.50 128.65
*Order by Key Code #Includes R&R Ignition Switch				
10	Column Assy	4A1 419 505 K	m 2.7	827.00
11	Sleeve	4A0 419 913 B	m	3.70
12	Cable, Bowden	4A0 419 359 A	m	83.85
*Included w/Column Assy				
13	Lever, Height Adjust	4A0 419 379 B 01C	m	7.50
14	Lever, Tilt Adjust	4A0 419 377	m	6.75
15	Cover, Lower	4A1 419 597	m	6.05
16	Bracket, Column	4A1 419 397	m	9.50

**ENGINE/TRANS**

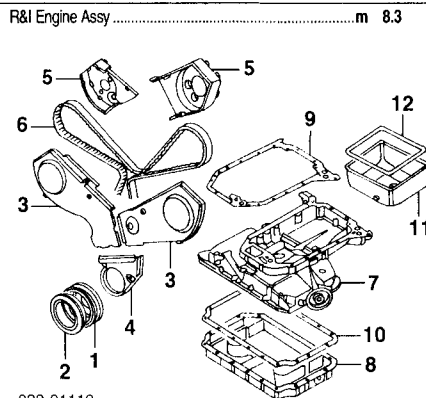
Use Procedure Explanation 12 with the following text.

**5 CYL-INLINE**



R&I Engine Assy	m 9.6			
1	Pulley, Crankshaft	054 105 255 A	m 1.0	78.75
2	Damper, Vibration	054 105 251 H	m .5	412.20
3	Cover, Upper Timing	054 109 123 B	m #.6	29.85
4	Cover, Lower Timing #R&R Complete 1.0	054 109 127 A	m #.6	15.50
5	Belt, Timing (Toothed)	054 109 119 H	m 1.8	85.55
6	Pan, Eng Oil	054 103 599 G	m #2.2	257.30
7	Gasket, Eng Oil Pan #R&R Complete	074 103 609 F	m #2.2	42.45
8	Pan, Trans Oil	92-93 01F 321 359 94-97 01F 321 359 A	m #.7 m #.7	159.70 159.70
9	Gasket, Trans Oil Pan #R&R Complete	01F 321 371	m #.7	25.70

**6 CYL**



R&I Engine Assy	m 8.3			
1	Pulley, Crankshaft 1992-94			

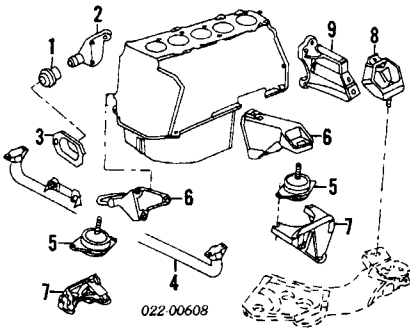
To VIN S026714 From VIN S026715-Serviced w/Vibration Damper 1995-97-Serviced w/Vibration Damper 1998 A6 Wagon-Serviced w/Vibration Damper	078 105 255 D	m .8	52.70	
2	Damper, Vibration 1992-94 To VIN S026714 From VIN S026715 1995-97 1998 A6 Wagon	078 105 251 F 078 105 251 Q 078 105 251 Q 078 105 251 Q	m .8 m .8 m .8 m .8	305.25 305.25 305.25 305.25
3	Cover, Timing Outer Upper 1992-94 To VIN S026714 From VIN S026715 1995-97 1998 A6 Wagon	R 078 109 123 H L 078 109 123 E R 078 109 107 F L 078 109 107 G R 078 109 107 F L 078 109 107 G	m m m m m m	29.85 29.85 20.60 20.60 20.60 20.60
4	Outer Lower 1992-94 To VIN S026714 From VIN S026715 1995-97 1998 A6 Wagon	078 109 127 A 078 109 127 C 078 109 127 C 078 109 127 C	m m m m	20.65 19.20 19.20 19.20
5	Upper Inner 1992-94 To VIN S026714 From VIN S026715 1995-97 1998 A6 Wagon	R 078 109 145 C L 078 109 145 B R 078 109 145 Q L 078 109 145 P R 078 109 145 Q L 078 109 145 P R 078 109 145 Q L 078 109 145 P	m m m m m m m m	26.25 26.25 24.50 24.50 24.50 24.50 24.50 24.50
6	Belt, Timing Pan, Eng Oil Upper 1992-94 To VIN S026714 From VIN S026715 1995-97 1998 A6 Wagon	078 103 603 D 078 103 603 M 078 103 603 M 078 103 603 M	m #3.2 m #3.2 m #3.2 m #3.2	342.45 375.00 375.00 375.00
8	Pan, Eng Oil Lower 1992-94 To VIN S026714 From VIN S026715 1995-97 1998 A6 Wagon	078 103 604 B 078 103 604 F 078 103 604 H 078 103 604 H	m #3.2 m #3.2 m #3.2 m #3.2	102.60 102.60 124.60 124.60
9	Gasket, Eng Oil Pan Up 1992-94 To VIN S026714 From VIN S026715 1995-97 1998 A6 Wagon	078 103 609 E 078 103 609 F 078 103 609 F 078 103 609 F	m #3.2 m #3.2 m #3.2 m #3.2	21.75 23.55 23.55 23.55
10	Gasket, Eng Oil Pan Lwr 1992-94 To VIN S026714 From VIN S026715 1995-97 1998 A6 Wagon	078 103 610 A 078 103 609 G 078 103 609 G 078 103 609 G	m 1.1 m 1.1 m 1.1 m 1.1	16.80 23.55 23.55 23.55
	Cooler, Oil 1992-94 To VIN S026713 From VIN S026714 1995-97 1998 A6 Wagon	068 117 021 BX 078 117 021 A 078 117 021 A 078 117 021 A	m m m m	R137.40 212.40 212.40 212.40
11	Pan, Trans Oil 1992-93 1994-97 1998 A6 Wagon	01F 321 359 01F 321 359 A 01F 321 359 A	m #.7 m #.7 m #.7	159.70 159.70 159.70
12	Gasket, Trans Oil Pan #R&R Complete	01F 321 371	m #.7	25.70

**ENGINE/TRANS MOUNTS**

**5 CYL**

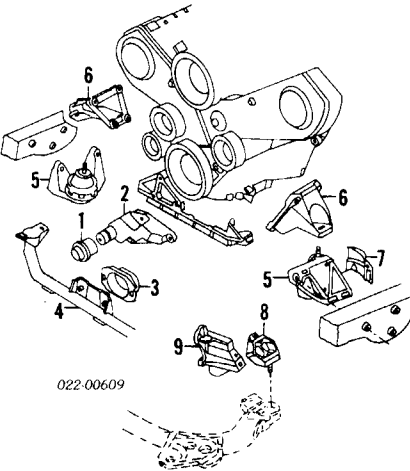
1	Insulator, Stop	8D0 199 339 P	1.1	7.20
2	Bracket, Insulator	4A0 199 343	#.2	28.35

Illustration Located in Next Column



3 Stop, Front #w/Mount Removed	4A0 199 335 A	#.2	15.15
4 Crossmember-See Front Inner Structure Section			
5 Mount, Front	R 443 199 379 D L 443 199 379 E	1.1	187.80
6 Bracket, Upper	R 4A0 199 312 L 4A0 199 307 B		62.05 48.75
7 Bracket, Lwr to Rail	R 4A0 199 354 L 4A0 199 353 A		55.50 55.50
8 Mount, Trans	R/L 4A0 399 151 C	.6	80.90
9 Bracket, Mount	R 4A0 399 114 G L 4A0 399 113 F		50.30 50.30

**6 CYL**

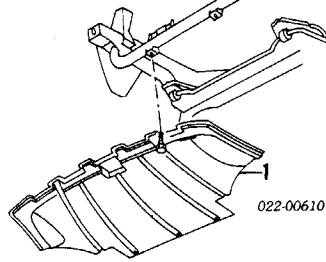


1 Insulator, Stop Man Trans Auto Trans	4A0 199 339 4A0 199 339 A		9.75 9.75
2 Bracket, Insulator	4A0 199 343 D		28.35
3 Stop, Front	4A0 199 335 A		15.15
4 Crossmember-See Front Inner Structure Section			
5 Mount, Front	R 4A0 199 352 A L 4A0 199 351 B	#1.5 #1.8	253.85 253.85
<b>#R&amp;R Both 3.1</b>			
6 Bracket, Mount	R 8A0 199 308 G L 4A0 199 307 M		38.60 38.00
7 Plate, Left Cover	4A0 199 388 B		2.30
8 Mount, Trans FWD	92-94 R/L 4A0 399 151 E 95-97 R/L 4A0 399 151 K	.6 .6	77.75 80.90
AWD Man Trans Auto Trans	R/L 4A0 399 151 B R/L 4A0 399 151 C	.6 .6	80.90 80.90
9 Bracket, Mount FWD Man Trans	R 4A0 399 114 K L 4A0 399 113 G		68.05 132.50
Auto Trans	92 R 4A0 399 114 C L 4A0 399 113 C		50.30 50.30
AWD	93-97 R 4A0 399 114 D L 4A0 399 113 D		50.30 50.30
Man Trans	R 4A0 399 114 F L 4A0 399 113 E		132.50 50.30
Auto Trans	R 4A0 399 114 D L 4A0 399 113 D		50.30 50.30

**ENGINE COVER**

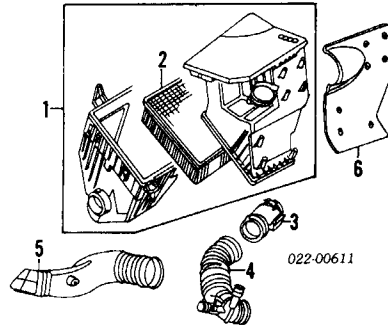
Illustration Located in Next Column

1 Cover, Under Engine To VIN S100000 From VIN S100001	4A0 863 821 F 4A0 863 821 AG	.3 .3	167.10 167.10
---	---------------------------------	----------	------------------



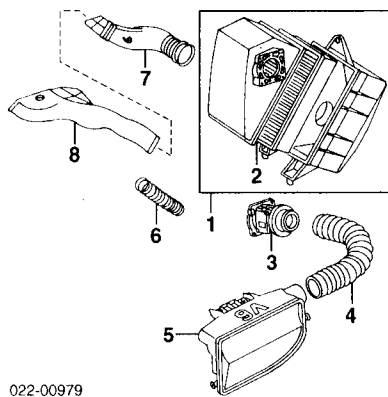
**AIR CLEANER**

**5 CYL**



1 Cleaner Assy, Air	034 133 837 AS	.5	324.35
2 Element, Cleaner	191 129 620	.3	12.35
<i>#Included w/Air Cleaner Assy</i>			
3 Meter, Air Volume	034 133 471 K	m .8	702.00
4 Hose, Turbo	034 133 357 S	.2	124.00
5 Tube, Air	4A0 129 643 C		22.95
6 Shield, Heat	034 133 832 L		47.05

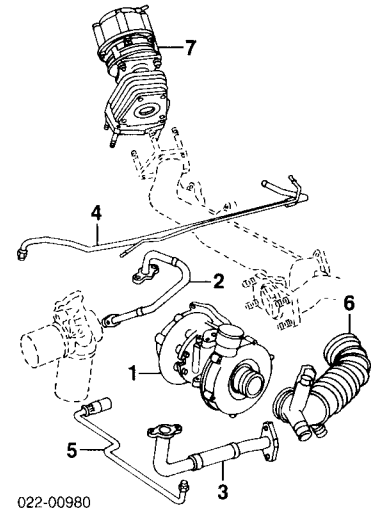
**6 CYL**



1 Cleaner Assy, Air FWD 1992-94 1995-97 w/Calif Emission w/o Calif Emission AWD 1992-95 1996-97 w/Calif Emission w/o Calif Emission 1998 AG Wagon w/Calif Emission w/o Calif Emission	4A0 133 837 D 4A0 133 837 E 4A0 133 837 D 4A0 133 837 D 4A0 133 837 E 4A0 133 837 D	.5 .5 .5 .5 .5 .5	168.80 168.80 168.80 168.80 168.80 168.80
2 Element, Cleaner	191 129 620	.3	12.35
<i>#Included w/Air Cleaner Assy</i>			
3 Meter, Air Volume FWD AWD 1992-93 To VIN P022306 From VIN P022307 1994-98	078 133 471 A 054 133 471 A 078 133 471 A 078 133 471 A	m m m m	.8 .8 .8 .8
4 Hose, Intake FWD AWD 1992-93	92 4A0 129 627 J 93-97 4A0 129 627 K	.2 .2	77.65 52.70

To VIN P022306	4A0 129 627 J	.2	77.65
From VIN P022307	4A0 129 627 K	.2	52.70
1994-97	4A0 129 627 K	.2	52.70
1998			
A6			
Wagon	4A0 129 627 K	.2	52.70
5 Pan, Sound Damper	078 129 951 H	.2	136.00
6 Hose, Air	027 129 627 E	.2	43.30
7 Tube, Air	4A0 129 643 A	.2	58.30
8 Duct, Intake	4A0 129 617 G	.2	28.00

**TURBOCHARGER**

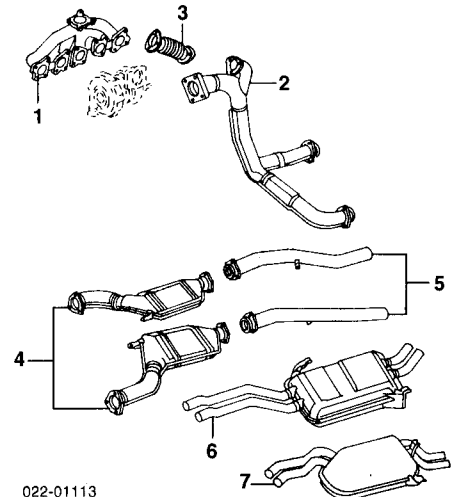


1 Turbocharger	034 145 702	m 2.8	1565.00
2 Pipe, Oil Upper	034 145 771 B	m .7	120.25
3 Pipe, Oil Lower	034 145 735 D	m 1.1	199.15
4 Pipe, Water Return	034 121 492	m	168.95
5 Pipe, Water Feed	034 121 497 A	m	179.65
6 Hose, Turbo-See Air Cleaner Section			
7 Wastegate	034 145 705 B	m	969.00

**EXHAUST**

**5 CYL**

R&R Exhaust System Complete..... #2.5  
*#Does Not Include R&R Exhaust Manifold*



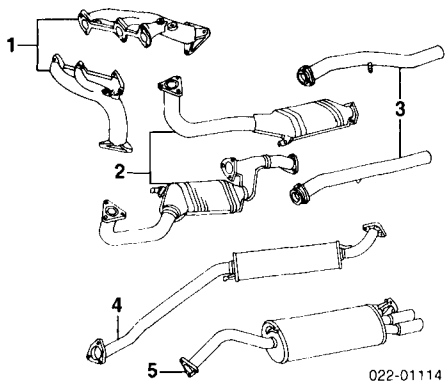
1 Manifold, Exhaust	034 129 587 M	m 3.6	800.00
2 Pipe, Front	4A0 253 101 BS	1.8	742.00
3 Pipe, Flex	857 253 817		181.20
4 Converter, Catalytic	R 4A0 131 089 KX L 4A0 131 089 JX	1.6 1.6	R936.00 R936.00
5 Pipe, Intermediate	R 4A0 253 302 E L 4A0 253 301 E	.8 .8	157.80 157.80
6 Muffler, Front	4A0 253 409 E	1.1	589.00
7 Muffler, Rear	4A0 253 609 AG	.9	531.00

**6 CYL**

R&R Exhaust System Complete..... #2.8  
*#Does Not Include R&R Exhaust Manifold*

**EXHAUST Cont'd**

**6 CYL Cont'd**



022-01114

<b>1 Manifold, Exhaust</b>			
1992-94			
w/Calif Emission	R 078 253 032 AB	m	3.5 205.05
	L 078 253 031 AC	m	5.0 205.05
w/o Calif Emission	R 078 253 032 AC	m	3.5 205.05
	L 078 253 031 AC	m	5.0 205.05
1995-97			
w/Calif Emission	R 078 253 032 AA	m	3.5 472.35
	L 078 253 031 AA	m	5.0 472.35
w/o Calif Emission	R 078 253 032 AJ	m	3.5 205.05
	L 078 253 032 AC	m	5.0 205.05
1998			
A6			
Wagon			
w/Calif Emission	R 078 253 032 AA	m	3.5 472.35
	L 078 253 031 AA	m	5.0 472.35
w/o Calif Emission	R 078 253 032 AJ	m	3.5 205.05
	L 078 253 031 AC	m	5.0 205.05
<b>2 Pipe/Converter, Front</b>			
1992-94			
	R 4A0 253 058 BX	.6	R905.00
	L 4A0 253 057 BX	.6	R905.00
1995			
	R 4A0 253 058 EX	.6	R905.00
	L 4A0 253 057 EX	.6	R1053.00
1996-97			
	R 4A0 253 058 LX	.6	R1053.00
	L 4A0 253 011 AX	.6	R1053.00
1998			
A6			
Wagon			
	R 4A0 253 058 LX	.6	R1053.00
	L 4A0 253 058 AX	.6	R905.00
†Order by Application			
<b>3 Pipe, Intermediate FWD</b>			
1992-94			
	92 R 4A0 253 302 D	.8	157.80
	L 4A0 253 301 C	.8	157.80
1995			
	93 R 4A0 253 302 D	.8	157.80
	L 4A0 253 301 G	.8	157.80
1996-97			
	R 4A0 253 302 L	.8	157.80
	L 4A0 253 301 G	.8	157.80
<b>4 Muffler, Front</b>			
1992-97			
FWD			
Man Trans	4A0 253 409 F	1.1	278.05
Auto Trans	4A0 253 409 B	1.1	363.55
AWD	4A0 253 409 L	1.1	720.00
1998			
A6			
Wagon	4A0 253 409 L	1.1	720.00
<b>5 Muffler, Rear</b>			
1992-94			
FWD	4A0 253 609 R	.9	258.45
AWD	4A0 253 609 BJ	.9	347.75
1995-96			
FWD	4A0 253 609 BD	.9	378.05
AWD	4A0 253 609 BJ	.9	347.75
1997			
FWD	4A0 253 609 BD	.9	378.05
AWD	4A0 253 609 BJ	.9	347.75
1998			
A6			
Wagon	4A0 253 609 BJ	.9	347.75

**EMISSION SYSTEM**

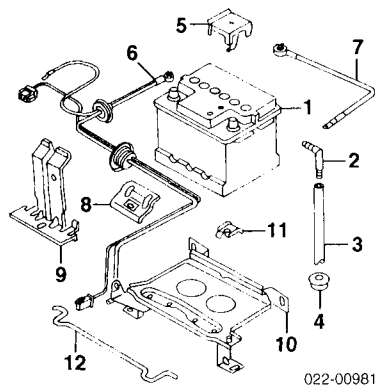
<b>Canister, Vapor</b>			
5 Cyl	4A0 201 801	m	.3 169.15
6 Cyl			
To 8-94	4A0 201 801	m	.3 169.15
From 8-94	4A0 201 801 A	m	.3 185.35
<b>Valve, EGR</b>			
6 Cyl			
FWD	078 131 503	m	.6 297.25
AWD			
To VIN P022306	054 131 503 A	m	.6 334.30
From VIN P022307	078 131 503	m	.6 297.25
Valve, Check	078 133 517 F	m	.4 35.55
Valve, Electro	054 906 267 A	m	128.85
Valve, Change Over	026 906 283 H	m	141.35

**ELECTRICAL**

**ALTERNATOR**

<b>Alternator</b>			
Bosch Brand			
110 Amp	034 903 017 BX	m	1.8 R503.00
120 Amp	078 903 015 FX	m	1.8 R551.00
Valeo Brand	078 903 015 D	m	1.8 0.00
<b>Pulley, Alternator</b>			
1992-97			
Bosch Brand			
110 Amp	054 903 119 D	#.1	53.85
120 Amp	92-93 078 903 119 E	#.1	39.75
	94-97 054 903 119 E	#.1	53.85
Valeo Brand	92-93 078 903 119 C	#.1	45.15
	94-97 078 903 119 D	#.1	45.15
1998			
A6			
Wagon			
Bosch Brand	054 903 119 E	#.1	53.85
Valeo Brand	078 903 119 D	#.1	45.15
<b>Fan, Pulley</b>			
	034 903 171	#.1	19.75
#w/Alternator Removed			
<b>Cap, Alternator</b>			
Bosch Brand	078 903 193		26.50
Valeo Brand	078 903 193 B		41.75
†Order by Application			
<b>Bracket, Alternator Mount</b>			
5 Cyl	046 903 141 D	#.1	420.55
6 Cyl			
1992-93	078 903 143 C	#.1	24.05
1994-97	078 903 143 K	#.1	24.20
1998			
A6			
Wagon	078 903 143 K	#.1	24.20
#w/Alternator Removed			
<b>Duct, Air</b>			
6 Cyl	4A0 903 075		14.85
<b>Hose, Cooling</b>			
6 Cyl	4A0 903 655		9.20
<b>Belt, Drive-See Cooling Section</b>			

**BATTERY**



022-00981

<b>1 Battery</b>			
	000 915 105 AH		.2 141.40
†Order by Application			
<b>2 Elbow</b>			
	893 915 507		1.90
<b>3 Hose</b>			
	441 915 505		2.10
<b>4 Grommet</b>			
	803 959 843		1.20
<b>5 Cap, Post</b>			
	803 915 429 A		4.70
<b>6 Cable, Battery Harness</b>			
Positive			
5 Cyl	4A1 971 225 F	3.9	308.75
6 Cyl	4A1 971 225 J	3.9	304.35
Negative			
	4A0 971 235	.4	61.40
<b>8 Clamp, Hold-Down Upper</b>			
	893 803 219		5.85
<b>9 Clamp, Hold-Down Lower</b>			
	443 803 523		11.05
<b>10 Tray, Battery</b>			
	4A0 915 327		125.25
<b>11 Bracket, Battery</b>			
	447 803 525		65.50
<b>12 Clamp</b>			
	447 803 523		d12.10

**HORN**

<b>Horn</b>			
High Note			
1992-95	171 951 223	.3	50.25
1996-97			
To VIN T060000	893 951 223	.3	61.25
From VIN T060001	8D0 951 223	.3	61.25
1998			
A6			
Wagon	8D0 951 223	.3	61.25
Low Note			
1992-95	893 951 221	.3	50.25
1996-97			
To VIN T060000	893 951 221	.3	50.25
From VIN T060001	4A0 951 221 E	.3	61.25
1998			
A6			
Wagon	4A0 951 221 E	.3	61.25
<b>Bracket, Horn</b>			
Upper			
5 Cyl	4A0 951 229 D		d6.35
6 Cyl	4A0 951 229 C		7.05
Lower (2)	803 951 229		2.80

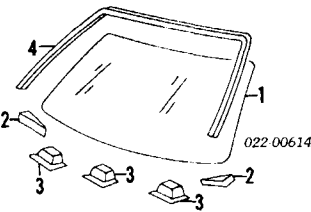
**POWERTRAIN CONTROLS**

<b>Sender, Hall</b>			
5 Cyl	034 905 161	m	407.65
6 Cyl	078 905 161 C	m	84.10
<b>Coil, Ignition</b>			
5 Cyl (5)	034 905 101	m	.5 138.30
6 Cyl	078 905 101 A	m	.5 289.90
<b>Module, Main Computer</b>			
5 Cyl	4A0 997 551 X	m	1.5R1338.00
6 Cyl (a)			
FWD	8A0 906 266 K	m	1.5 883.00
AWD	4A0 906 266 AB	m	1.5 925.00
<b>Housing, Computer Module (a)</b>			
(a) Order by Application			
	4A1 907 355 A		d43.35
<b>Sensor, Knock</b>			
5 Cyl	054 905 377 A		63.95
6 Cyl	054 905 377		65.85

**WINDSHIELD**

Use Procedure Explanation 13 with the following text.

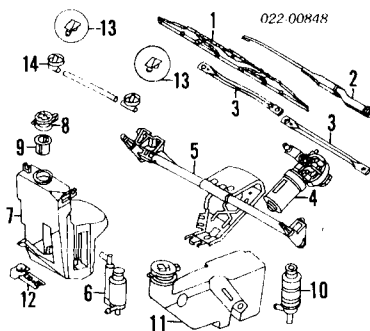
R&I Windshield ..... #3.9  
 #Includes Clean Up Old Adhesive as Necessary



022-00614

<b>1 Glass, Windshield</b>			
Audi (Shade)			
1992-93	4A0 845 099 E		#3.5 308.10
1994-97	4A0 845 099 Q		#3.5 438.35
1998			
A6			
Wagon	4A0 845 099 Q		#3.5 438.35
NAGS			
Green/Green Shade			
1992-93	FW00704GGN		#3.5 1089.60
1994-97	FW00784GGN		#3.5 671.45
1998			
A6			
Wagon	N.A.		#3.5 0.00
#Includes Clean Up Old Adhesive as Necessary			
<b>2 Wedge, Adjustment</b>			
R/L	443 845 631 A		1.20
<b>3 Spacer (3)</b>			
	443 845 237 D		1.20
<b>4 Moulding, Rubber</b>			
	4A0 845 121 C 01C	#3.5	47.25
#R&R Complete w/Glass, Requires Replacement When R&R Glass			
<b>Moulding, Inside Garnish</b>			
Side			
R	4A0 867 232 C 8ZU	.3	59.75
L	4A0 867 231 E 8ZU	.3	61.65
<b>Mirror, Rear View</b>			
	4D0 857 511 01C	.2	82.75
<b>Visor, Sun</b>			
R	4D0 857 552 A D05	.2	127.80
L	4D0 857 551 A D05	.2	115.50
†Order by Application			

**WIPER SYSTEM**



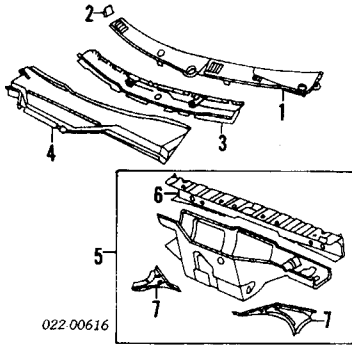
022-00848

<b>1 Blade, Wiper</b>			
To VIN S065000	R 200 955 422	.1	29.50
	L 4A0 955 425 A	.1	21.75
From VIN S065001	R 4A0 955 425 B	.1	18.50
	L 4A0 955 425 A	.1	21.75
	R 4A1 955 408 A	#.2	57.30
	L 4A1 955 407 C	#.2	45.70
#Includes R&R Wiper Blade			
<b>3 Linkage, Motor</b>			
	R 4A1 955 332		8.45
	L 4A1 955 331 A		15.75
	4A1 955 113 C	#.6	217.35
<b>4 Motor, Wiper</b>			
#w/100 Series Add .2			
<b>5 Shaft Assy, Wiper</b>			
	4A1 955 603		119.65
<b>6 Pump, Washer</b>			
	4A0 955 651 B		.9 97.40
<b>7 Reservoir, Washer</b>			
1992-97			
FWD			
w/Elect Diff'l Control	4A0 955 453 G	.5	68.05
w/o Elect Diff'l Control	92-94 4A0 955 453 A	.5	68.05

AWD	95-97 4A0 955 453 C	.5	64.15
	92 4A0 955 453 A	.5	68.05
	93-97 4A0 955 453 C	.5	64.15
1998			
A6			
Wagon	4A0 955 453 C	.5	64.15
8 Cap, Filler	8D0 955 455		3.55
9 Strainer, Fluid	1C0 955 485		1.65
10 Pump, Intensive Washer	4A0 955 661		66.35
11 Reservoir, Intensive	4A0 955 453 E		54.15
12 Bracket, Reservoir	4A0 955 457		11.65
13 Nozzle, Washer			
Heated	R/L 8D0 955 988		40.60
Non-Heated	R/L 8D0 955 987		2.55
14 Retainer, Nozzle			
Heated	R 447 955 837 E		2.80
	L 447 955 837 D		2.80
Non-Heated	R 893 955 837 A		2.80
	L 893 955 837		2.60

**COWL & DASH**

Use Procedure Explanations 14 and 28 with the following text.



1 Cover, Cowl Top	4A1 805 097 A 01C	.5	209.75
2 Plate Kit, Corner	4A1 805 098		64.10
3 Strip, Attachment	4A1 819 417 01C		27.50
4 Deflector, Water	4A1 819 403 B 01C		32.65
5 Panel Assy, Dash w/A/C	4A1 805 261 C		562.00
	w/o A/C 4A1 805 261 E		547.00
6 Xmbx, Column			
1992-95	4A1 805 305 A		412.30
1996-97	4A1 805 305 B		412.30
1998			
A6			
Wagon	4A1 805 305 B		412.30
7 Reinf, Panel	R 4A1 805 256		38.55
	L 4A1 805 255 A		51.40

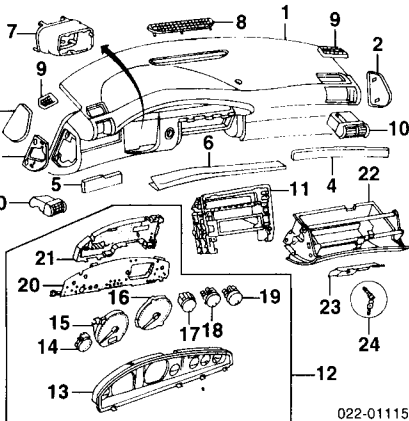
*†Included w/Dash Panel Assy*

**INSTRUMENT PANEL**

Use Procedure Explanation 14 with the following text.

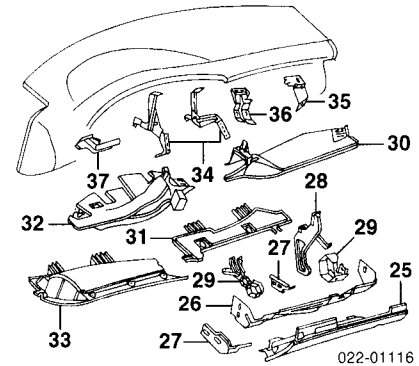
R&I Instrument Panel.....m 3.5

NOTE: All Parts in this section are included in R&I Instrument Panel unless noted otherwise.

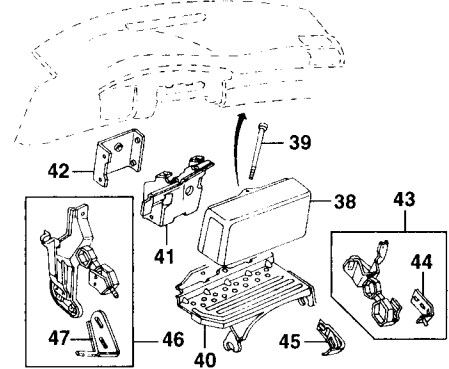


1 Panel, Instrument			
Single Air Bag To 4-92	4A1 857 041 L 8RZ	m	6.0 d371.60
From 5-92	4A1 857 041 AA 8RZ	m	6.0 929.00
Dual Air Bags To 6-94	4A1 857 041 AK 8RZ	m	6.5 1087.00
From 7-94	4A1 857 041 AM 8RZ	m	6.5 1087.00
2 Cap, Side			
To 6-94	R 4A0 857 086 9XB		9.70
	L 4A0 857 085 BE5		9.70
From 7-94	R 4A1 857 086 BE5		9.70
	L 4A0 857 085 BE5		9.70

<i>†Anthracite listed, Order by Application</i>			
3 Holder, Fuse	4A1 857 235		4.45
4 Moulding, Instrument Pnl Right			
Single Air Bag			
1992	4A1 853 190 P11	.5	144.95
1993-97	4A1 853 190 B 1WV	.5	209.00
1998			
A6			
Wagon	4A1 853 192 H 1WV	.5	153.95
Dual Air Bags	4A1 853 192 B 1WV	.5	303.70
5 Moulding, Instrument Pnl Left			
1992	4A1 853 189 P11	.5	d44.10
1993-97	4A1 853 189 B 1WV	.5	116.10
1998			
A6			
Wagon	4A1 853 189 B 1WV	.5	116.10
<i>†Nut Brown listed, Order by Application</i>			
6 Pad, Trim (a)	4A1 857 229 K 9XB		71.55
7 Boot, Strg Wheel (a)	4A1 858 343 A21		73.15
<i>(a) Vehicles w/Height Adjustable Strg Wheel</i>			
8 Vent, Air Center	4A0 819 631 5WK	.3	d4.45
9 Vent, Air Upper			
w/ATC	R 4A1 819 794 B 5WK	.3	40.90
	L 4A1 819 793 B 5WK	.3	40.90
	R 4A1 819 794 A 5WK	.3	6.50
	L 4A1 819 793 A 5WK	.3	5.95
	R 4A1 820 902 01C	.3	82.05
	L 4A1 820 901 01C	.3	82.05
10 Vent, Air Lower			
11 Panel, Lower Insert			
To 10-94	4A0 857 007 E 01C	1.0	66.65
From 11-94	4A0 857 007 E 01C	1.0	66.65
12 Cluster Assy, Instrument			
1992-94- Serviced by Components			
1995			
A6	4A1 919 930 BX	m	1.5 P671.00
S6	4A1 919 930 CX	m	1.5 P671.00
1996-97			
A6	4A1 919 930 FX	m	1.5 P671.00
S6	N.A.	m	1.5 0.00
1998			
A6			
Wagon	4A1 919 930 HX	m	1.5 P671.00
13 Housing, Instrument			
1992-94	4A1 919 208 A	m	#.5 263.95
1995-97- Serviced w/Instrument Cluster Assy			
1998			
A6			
Wagon- Serviced w/Instrument Cluster Assy			
14 Gauge, Temperature			
1992-94	4A0 919 511 A	m	#.5 87.50
1995-97- Serviced w/Instrument Cluster Assy			
1998			
A6			
Wagon- Serviced w/Instrument Cluster Assy			
15 Tachometer			
1992-94	4A0 919 253 E	m	#.5 99.80
1995-97- Serviced w/Instrument Cluster Assy			
1998			
A6			
Wagon- Serviced w/Instrument Cluster Assy			
16 Speedometer			
1992-94	4A0 957 033 C	m	#.5 342.45
1995-97- Serviced w/Instrument Cluster Assy			
1998			
A6			
Wagon- Serviced w/Instrument Cluster Assy			
17 Clock			
1992-94	4A0 919 201 A	m	#.5 87.55
1995-97- Serviced w/Instrument Cluster Assy			
1998			
A6			
Wagon- Serviced w/Instrument Cluster Assy			
18 Gauge, Oil Temp			
1992-94	4A0 919 541	m	#.5 141.45
1995-97- Serviced w/Instrument Cluster Assy			
1998			
A6			
Wagon- Serviced w/Instrument Cluster Assy			
19 Gauge, Oil Pressure			
1992-94	4A0 919 551	m	#.5 141.45
1995-97- Serviced w/Instrument Cluster Assy			
1998			
A6			
Wagon- Serviced w/Instrument Cluster Assy			
<i>†w/Instrument Cluster Assy Removed, Not Included in R&amp;I Instrument Panel</i>			
20 Circuit, Printed			
1992-94			
100 Series, A6	4A0 919 059 N	m	1.8 237.10
S4, S6	4A0 919 059 M	m	1.8 237.10
1995-97- Serviced w/Instrument Cluster Assy			
1998			
A6			
Wagon- Serviced w/Instrument Cluster Assy			
21 Circuit & Cover			
1992-94			
OBd (a)	4A0 919 064 L	m	1055.00
1995-97- Serviced w/Instrument Cluster Assy			
1998			
A6			
Wagon- Serviced w/Instrument Cluster Assy			
<i>†Included w/Instrument Cluster Assy (a) Order by Application</i>			
22 Glove Box & Door			
Single Air Bag	4A1 857 035 D 7DN	.5	341.00
Dual Air Bags	4A1 880 302 A 8RZ	.5	545.00
23 Latch, Glove Box			
Single Air Bag	4A1 857 131 E 9XB	.2	49.80
Dual Air Bags	4A1 857 131 A 7DN	.2	49.80
<i>†Anthracite Gray listed, Order by Application</i>			
24 Lock Cylinder & Key			
92	4A0 857 113	.3	24.25
93-97	4A0 857 113 B	.3	23.85



25 Pad, Knee Bar	4A1 880 305 8RZ		495.90
<i>†Anthracite Gray listed, Order by Application</i>			
26 Reinf, Bar	4A1 880 417		44.65
27 Bracket, Retaining	R 4A1 880 476		d6.45
	L 4A1 880 347		19.30
28 Support, Center	4A1 880 482		103.80
29 Support, Outer	R 4A1 880 503		44.50
	L 4A1 880 481 A		103.80
30 Panel, Lower Right (Under Dash)	4A1 863 052 D 01C		32.60
31 Panel, Lower Left (Under Dash)	4A1 863 081 01C		23.35
32 Cover, Lower w/A/C	4A1 863 051 K 01C		32.60
33 Shelf, Lower	4A1 863 075 D 9XB		99.90
<i>†Anthracite Gray listed, Order by Application</i>			
34 Support, Center	R/L 4A1 857 320-19		23.05
35 Bracket, Retaining	4A1 857 294 A		2.10
36 Support, Inner	R 4A1 857 252 A		6.00
	L 4A1 857 247		4.10
	4A1 857 257		6.55
37 Support, Outer			



38 Module, Air Bag-See Air Bag System Section			
39 Bolt			
1992-94	N 100 420 04	m	2.10
1995-97	N 103 200 02	m	2.50
1998			
A6			
Wagon	N 103 200 02	m	2.50
40 Support, Air Bag			
1992-94	4A1 880 393 B	m	47.15
1995-97	4A1 880 393 C	m	20.40
1998			
A6			
Wagon	4A1 880 393 C	m	20.40
41 Bracket, Air Bag Outer			
1992-94	4A1 880 211 A	m	31.80
1995-97	4A1 880 211 B	m	7.80
1998			
A6			
Wagon	4A1 880 211 B	m	7.80
42 Bracket, Air Bag Inner	4A1 880 367	m	d11.25
43 Right Support Assy	4A1 880 354	m	144.45
44 Brkt, Upper Setting	4A1 880 474	m	9.45
<i>†Included w/Right Support Assy</i>			
45 Brkt, Lower Setting	4A1 880 348 A	m	12.80
46 Left Support Assy	4A1 880 353	m	144.45
47 Brkt, Lower Setting	4A1 880 471	m	6.65
<i>†Included w/Left Support Assy</i>			
48 Brace, Support			
1992-94	4A1 880 433	m	14.60
1995-97	4A1 880 433 A	m	14.10
1998			
A6			
Wagon	4A1 880 433 A	m	14.10

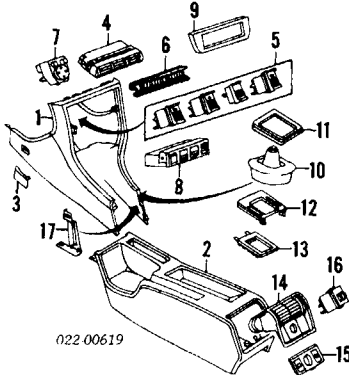
**CENTER CONSOLE**

Use Procedure Explanation 14 with the following text.

O/H Front & Rear Console Complete ..... 2.5

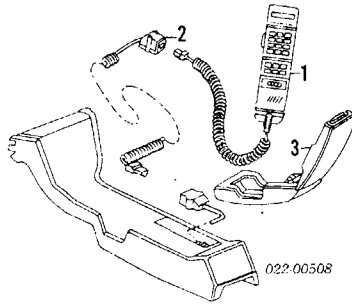
**CENTER CONSOLE Cont'd**

NOTE: All Parts in this section are included in overhaul unless noted otherwise.



1 Console, Center] To 3-92 From 4-92	4A1 863 241 B 9XB 4A1 863 241 C CGB	2.0 2.0	135.15 215.35
2 Console, Rear]	4A0 863 201 F 9XB	1.5	125.80
3 Cover, Console]	4A1 863 273 9XB #Anthracite Gray listed, Order by Application		6.00
4 Vent, Air	4A1 820 951 01C	2	123.35
5 Switch, Console (a) Heated Back Glass	4A0 941 503 C 01C	#4	59.30
Emergency Light	4A0 941 509 01C	#4	31.35
ABS	893 941 528 A 01C	#4	20.50
Rear Fog Lamp	893 941 535 01C	#4	15.10
(a) Order by Application			
#R&R Complete			
6 Bracket, Switch	4A0 941 561 A 01C		19.50
5 Hole	4A0 941 567 01C		5.15
7 Switch, Rear View Mirror w/Memory	4A0 959 565 A 01C	.3	77.35
w/o Memory	4A0 959 565 D 01C	.3	77.35
8 Control, Heater	4A0 820 043 M 5WK	#4	680.00
#Includes R&R Heater Control Trim			
9 Trim Heater Control w/ATC	4A0 820 325 C P11	2	210.00
Wood	4A0 820 325 B 5WK	2	19.20
Plastic			
w/o ATC			
Wood	4A0 820 075 P11	2	276.15
Plastic	4A0 820 073 A 01C	2	43.45
10 Boot, Shift Lever] Leather	4A0 711 110 N 9UB		198.60
Leatherette	4A0 711 110 H A21		d87.75
#Order by Application			
11 Retainer, Boot	4A0 863 279 C 5WK		10.55
12 Plate, Shift			
Auto Trans	4A0 863 270 P11	#2	d183.80
Wood]			
Plastic			
1992-95	4A0 863 269 D 5WK	#2	11.50
1996-97	4A0 863 269 G 5WK	#2	11.20
1998			
A6			
Wagon	4A0 863 269 G 5WK	#2	11.20
#Order by Application			
13 Cover, Lower] Auto Trans	4A0 863 269 E 01C	#2	7.80
1992-95	4A0 863 269 F 01C	#2	8.50
1996-97			
1998			
A6			
Wagon	4A0 863 269 F 01C	#2	8.50
#Black listed, Order by Application			
#R&R Complete			
14 Vent, Air	4A0 819 203 01C		64.60
15 Trim, Vent (a)	4A0 863 277 A 5WK		10.55
(a) Order by Application			
16 Switch, Rear Heating	4A0 963 563 01C		99.95
1992-94	4A0 963 563 B 01C		99.95
1995-97			
1998			
A6			
Wagon	431 959 489 C		30.20
17 Bracket, Console Player, CD	R/L 4A0 863 532-1		d2.65
New	4A0 035 111		d595.00
Remanufactured]	4A0 035 111 X		F210.00
Radio, Stereo Cassette			
Bose Sound System			
New	4A0 035 192 A	.6	d924.00
Remanufactured]	4A0 035 192 AX	.6	F200.00
Blaupunkt System			
New	893 035 093 BV	.4	d140.00
Remanufactured]	4A0 035 093 X	.4	F200.00
#Remanufactured Part. Contact Dealer for Core Charge & Exchange Information			

**CELLULAR PHONE**



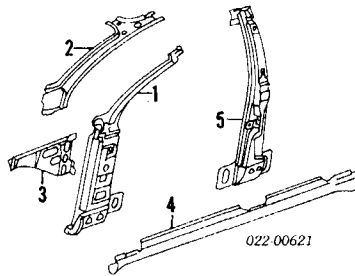
1 Handset, Dialer			
New	441 035 104 A		d292.80
Remanufactured]	441 035 104 AX		d150.00
#Remanufactured Part. Contact Dealer for Core Charge & Exchange Information			
2 Harness	441 060 178 A		167.70
3 Armrest, Center]			
Leather	441 881 751 A 9UB		924.00
#Dark Gray listed, Order by Application			

**ROCKER/PILLARS/FLOOR**

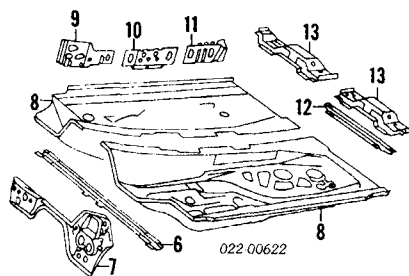
Use Procedure Explanations 14, 15 and 28 with the following text.

**SHEET METAL**

Refinish Hinge Pillar.....	R/L	1.0
Refinish Rocker Panel Outside.....	R/L	1.6
Refinish Center Pillar.....	R/L	1.0



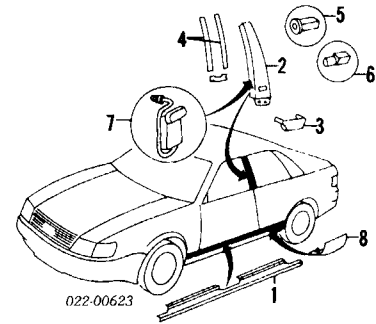
1 Pillar, Hinge	R 4A0 809 202 A	s	8.5	279.95
	L 4A0 809 201 A	s	8.5	271.85
2 Pillar, Upper Inner	R/L 4A0 809 208-7	s	2.0	73.05
3 Reinf, Pillar	R 4A0 809 112 C	s	1.0	65.55
	L 4A0 809 111 C	s	1.0	65.55
4 Panel, Rocker Outer	R 4A0 803 762 B	s	#7.0	467.50
	L 4A0 803 761 B	s	#7.0	467.50
#w/Quarter Panel Removed Deduct 2.1, Deduction Includes Common Surfaces & Included Operations				
5 Pillar, Center Outer	R 4A0 809 220 A	s	#6.0	269.10
	L 4A0 809 219 A	s	#6.0	269.10
#w/Roof Removed Deduct 1.5, w/Rocker Panel Removed Deduct 2.0, Deduction Includes Common Surfaces & Included Operations				



6 Crossmember, Front				
100 Series, A6				
Man Trans	4A0 803 163 E	s		152.75
Auto Trans	4A0 803 163 F	s		152.75
S4, S6	4A0 803 163	s		163.75
7 Pan, Front Floor				
100 Series, S4	92-94 4A1 803 061	s		d223.25
A6, S6				
1995-97	4A1 803 061 A	s		235.25
1998				
Wagon	4A1 803 061 A	s		235.25
8 Pan, Center Floor				
100 Series	92-94 R 4A0 804 074 A			729.00
	L 4A0 804 073 B			748.00
A6, S6				
1995	R 4A0 804 074 A			729.00
	L 4A0 804 073 B			748.00

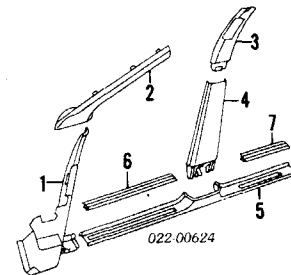
1996-97	R 4A0 804 074 B			748.00
	L 4A0 804 073 B			748.00
1998				
Wagon	R 4A0 804 074 B			748.00
	L 4A0 804 073 B			748.00
9 Plate, Sill Inner Front	R 4A0 803 244 A			16.60
	L 4A0 803 243 A			16.15
10 Plate, Sill Inner Center	R 4A0 803 760 B			20.70
	L 4A0 803 759 B			20.70
11 Plate, Sill Inner Rear	R/L 4A0 803 764-3			17.05
12 Crossmember, Rear FWD	4A0 803 181 A			39.45
13 Support, Seat w/Pwr Seats				
1992-93	R 4A0 803 174 D			79.30
	L 4A0 803 173 D			114.60
1994-97	R 4A0 803 174 D			79.30
	L 4A0 803 173 D			114.60
1998				
A6				
Wagon	R 4A0 803 174 D			79.30
	L 4A0 803 173 D			114.60
w/o Pwr Seats				
1992-93	R/L 4A0 803 174-3			d108.80
1994-97	R 4A0 803 174 C			79.30
	L 4A0 803 173 C			114.60
1998				
A6				
Wagon	R 4A0 803 174 C			79.30
	L 4A0 803 173 C			114.60

**EXTERIOR TRIM**



1 Plate, Rocker Scuff (Black)				
Adhesive				
	R 4A0 853 492 01C	.4		72.90
	L 4A0 853 491 01C	.4		72.90
2 Moulding, Pillar Trim w/Infrared Lock System				
Right	4A0 853 290 D 01C	.4		32.40
Left	4A0 853 289 D 01C	.4		40.25
w/o Infrared Lock System				
Right	4A0 853 290 C 01C	.3		20.55
Left	4A0 853 289 C 01C	.3		26.70
3 Cover, Lower	R 4A0 853 590 A 01C			2.10
	L 4A0 853 589 A 01C			2.10
4 Foil, Moulding				
Front	R 4A0 853 498 A			5.70
	L 443 853 497 B 01C			7.95
Rear	R 4A0 853 498 B			6.00
	L 4A0 853 497 B			5.70
5 Clip, Front	R/L 4A0 853 379 E			.52
6 Clip, Rear	R/L 4A0 853 380 E			.52
7 Receiver, Infrared	R/L 441 959 989			106.75
8 Guard, Stone	R 4A0 803 584 E			12.85
	L 4A0 803 583 E			12.85

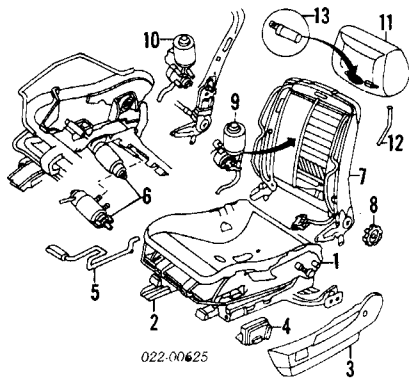
**INTERIOR TRIM**



1 Panel, Cow/Pillar]	R 4A1 864 606 C 3VF	.4		17.20
	L 4A1 864 605 E 3VF	.4		23.85
2 Moulding, Garnish] See Windshield Section				
3 Panel, Center Pillar Upr]	R 4A0 867 240 7DN	.3		47.55
	L 4A0 867 239 7DN	.3		47.55
4 Panel, Center Pillar Lwr]	R 4A0 867 244 7CX	.3		54.30
	L 4A0 867 243 7CX	.3		54.30
5 Cover, Sill]	R 4A0 864 612 3VF	.3		19.60
	L 4A0 864 611 3VF	.3		19.60
6 Plate, Scuff Front]	R/L 4A0 864 619 3VF	.2		3.45
7 Plate, Scuff Rear]	R/L 4A0 864 620 3VF	.2		2.70
#Platinum Gray listed, Order by Application				

**SEAT**

R&I Front Seat (One Side).....	R/L	.5
R&I Rear Seat.....		.5



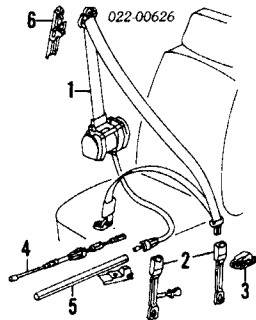
<b>1 Frame Assy, Seat</b>		
Manual		
w/Sport Pkg	R 4A0 881 026 D	1.2 423.25
	L 4A0 881 025 D	1.2 419.00
w/o Sport Pkg	R 4A0 881 026 C	1.2 423.25
	L 4A0 881 025 C	1.2 423.25
Power		
w/Sport Pkg	R 4A0 881 108 A	1.2 2360.00
	L 4A0 881 107 A	1.2 1745.00
w/o Sport Pkg	R 4A0 881 108 B	1.2 1745.00
	L 4A0 881 107	1.2 1745.00
<b>2 Adjuster, Seat Track</b>		
Outer	R/L 443 803 253	#1.3 32.05
Inner	R 4A0 803 258 B	#1.3 22.65
	L 4A0 803 257 B	#1.3 22.65
<i>#R&amp;R Complete</i>		
<b>3 Cover, Side Trim</b>		
Man Seat	R 4A0 881 326 F 5WK	31.30
	L 4A0 881 325 F 5WK	31.30
Pwr Seat	R 4A0 881 326 D 5WK	41.50
	L 4A0 881 325 D 5WK	41.50
<i>#Anthracite Gray listed, Order by Application</i>		
<b>4 Switch, Control</b>		
	R 4A0 959 766 A 01C	130.60
	L 4A0 959 765 A 01C	130.60
<b>5 Lever, Adjust</b>		
w/Sport Pkg	R 4A0 881 232 C 01C	0.00
	L 4A0 881 231 C 01C	0.00
w/o Sport Pkg	R 4A0 881 232 B 01C	15.05
	L 4A0 881 231 B 01C	12.15
<b>6 Motor, Adjustment (6)</b>		
	893 959 761	195.70
<b>7 Frame, Back</b>		
Manual		
w/Sport Pkg	R 4A0 881 046 C	2.0 422.50
	L 4A0 881 045 C	2.0 372.20
w/o Sport Pkg	R 4A0 881 046	2.0 422.50
	L 4A0 881 045 N	2.0 372.20
Power		
w/Sport Pkg	R 4A0 881 050 B	2.3 423.25
	L 4A0 881 049 B	2.3 423.25
w/o Sport Pkg	R 4A0 881 050 A	2.3 423.25
	L 4A0 881 049 A	2.3 423.25
<b>8 Knob, Adjust Motor, Backrest</b>		
Driver Side	4A0 959 761	419.45
Passenger Side	443 959 761 K	555.00
<b>10 Headrest</b>		
1992-94		
To VIN N100000	R/L 4A0 881 903	174.95
From VIN N100001	R/L 4A0 881 903 J	161.80
1995-97		
w/Sport Pkg	R/L 4A0 881 905 A	0.00
w/o Sport Pkg	R/L 4A0 881 905 B	128.50
1998		
A6		
Wagon		
w/Sport Pkg	R/L 4A0 881 905 A	0.00
w/o Sport Pkg	R/L 4A0 881 905 B	128.50
<b>12 Rod, Guide (a)</b>		
	R/L 4A0 881 941	10.90
<i>(a) Order by Application</i>		
<b>13 Motor, Adjustment Element, Seat Heater (a)</b>		
	R/L 4A0 959 759	d172.60
Element, Seat Heater (a)	R/L 4A0 963 555 B	134.55
Element, Backrest Heater (a)	R/L 4A0 963 557 B	155.90
<i>(a) Order by Application</i>		

**SEAT BELTS**

**FRONT**

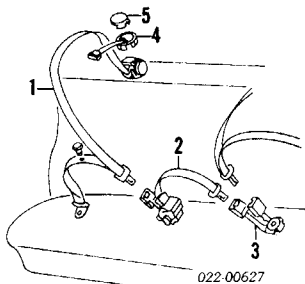
Illustration Located in Next Column

<b>1 Belt, Seat</b>		
1992-94		
	R 4A0 857 706 P 041	#.5 139.85
	L 4A0 857 705 P 041	#.5 139.85
1995-97	R 4A0 857 706 AE V04	#.5 139.85
	L 4A0 857 705 AF V04	#.5 139.85
1998		



A6		
Wagon	R 4A0 857 706 AE V04	#.5 139.85
	L 4A0 857 705 AF V04	#.5 139.85
<i>#Black listed, Order by Application</i>		
<i>#w/Trim Panel Removed</i>		
<b>2 Buckle, Belt</b>		
1992-95	R 4A0 857 755 01C	#.2 13.20
	L 4A0 857 755 A 01C	#.2 26.15
1996-97	R/L 4A0 857 755 F 01C	#.2 34.20
1998		
A6		
Wagon	R/L 4A0 857 755 F 01C	#.2 34.20
<i>#Order by Application</i>		
<i>#w/Seat Removed</i>		
<b>3 Guide, Lock</b>		
	R/L 893 858 733 A	2.10
<b>4 Cable, Tension</b>		
Man Trans	R/L 4A0 858 852-1	d111.75
Auto Trans	R 4A0 858 852 A	d111.75
	L 4A0 858 851 A	d111.75
<i>#Order by Application</i>		
<b>5 Tube, Cable</b>		
	R 4A0 858 762	d21.10
	L 4A0 858 761	21.10
<b>6 Adjuster</b>		
	R/L 4A0 857 833 D	48.00

**REAR**



<b>1 Belt, Side</b>		
Sedan	R/L 4A5 857 709 E 041	#.4 47.75
Wagon	R/L 4A9 857 709 041	#.4 47.75
<i>#w/Rear Seat &amp; Trim Panel Removed</i>		
<b>2 Belt, Center</b>		
Sedan	4A0 857 703 041	#.2 49.10
Wagon	8A0 857 703 041	#.2 47.75
<b>3 Buckle, Belt</b>		
	4A0 857 739 A 01C	#.2 26.15
<i>#w/Seat Removed</i>		
<b>4 Guide, Belt</b>		
	R 4A0 857 728 01C	13.15
	L 4A0 857 727 01C	13.70
<b>5 Cover, Guide</b>		
	R/L 4A0 857 785 01C	2.65
<i>#Black listed, Order by Application</i>		

**FRONT DOOR**

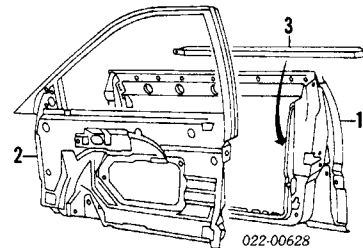
Use Procedure Explanations 16 and 28 with the following text.

**SHEET METAL**

Refinish Door Outside.....	R/L	2.2
Add for Jambes & Interior.....	R/L	1.0
Add for Jambes.....	R/L	.5
R&I Door Assy.....	R/L	1.0
Add to R&R Door Shell		
w/Mirror.....	R/L	.8
w/Pwr Lifts & Locks.....	R/L	1.0
To Drill Holes for Installation		
One Moulding.....	R/L	.3
Each Additional Moulding.....	R/L	.2

Illustration Located in Next Column

<b>1 Shell, Door</b>		
100 Series, S4	R/L 4A0 831 052-1	#6.0 421.50
A6, S6	R 4A0 831 052 A	#6.0 434.25
	L 4A0 831 051 A	#6.0 434.25
<i>#Includes R&amp;R Inner Panel</i>		

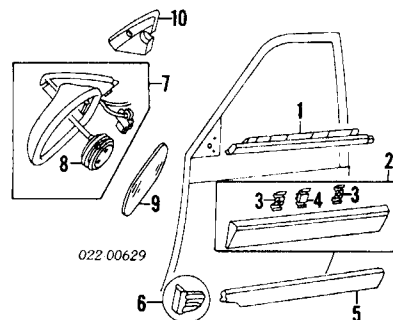


<b>2 Panel, Inner (a)</b>			
	R 4A0 837 754 F	3.5	552.00
	L 4A0 837 753 F	3.5	552.00
<i>(a) Includes Window Frame</i>			
<b>3 Bar, Reinf</b>		R/L 4A0 831 507	106.75

**EXTERIOR TRIM**

Refinish Mirror.....	R/L	.5
Refinish Side Moulding Assy.....	R/L	.5
R&I Side Moulding Assy.....	R/L	.3
R&I Mirror Assy.....	R/L	#.4

*#w/Trim Panel Removed*



<b>1 Mldg, Belt</b>			
<i>#Serviced w/Outer Belt W/Strip</i>			
<b>2 Moulding Assy, Side</b>			
100 Series, S4	92-94 R	4A0 853 952 3FZ	.3 62.55
	L	4A0 853 951 3FZ	.3 62.55
A6, S6 (P)			
1995-97	R	4A0 853 952 A GRU	.3 95.40
	L	4A0 853 951 A GRU	.3 95.40
1998			
Wagon	R	4A0 853 952 A GRU	.3 95.40
	L	4A0 853 951 A GRU	.3 95.40
<i>(P) Paint to Match</i>			
<b>3 Clip</b>			
100 Series, S4	92-94 R/L	4A0 853 825 A	4.65
A6, S6			
1995-97	R/L	4A0 853 825 J	1.40
1998			
Wagon	R/L	4A0 853 825 J	1.40
<b>4 Clip</b>			
100 Series, S4	92-94 R/L	4A0 853 825	1.20
A6, S6			
1995-97	R/L	4A0 853 825 K	2.00
1998			
Wagon	R/L	4A0 853 825 K	2.00
<i>#Included w/Side Moulding Assy</i>			
<b>5 Cover, Trim Lower</b>			
	R	4A0 853 960 01C	.2 61.50
	L	4A0 853 959 01C	.2 63.95
<b>6 Cap, Cover (2/Side)</b>			
	R	4A0 853 114 01C	2.10
	L	4A0 853 113 01C	2.10
<b>7 Mirror Assy, Rear View (P)</b>			
w/Memory			
1992-93	R	4A1 857 502 K 3FZ	1.0 317.55
	L	4A1 857 501 K 3FZ	1.0 308.25
1994-97	R	4A1 858 532 A	1.0 278.55
	L	4A1 858 531 A	1.0 278.55
1998			
A6			
Wagon	R	4A1 858 532 D	1.0 278.55
	L	4A1 858 531 D	1.0 278.55
w/o Memory			
1992-93	R	4A1 857 502 H 3FZ	1.0 227.70
	L	4A1 857 501 H 3FZ	1.0 227.70
1994-97	R/L	4A1 858 532-1	1.0 127.00
1998			
A6			
Wagon	R/L	4A1 858 532-1	1.0 127.00
<i>(P) Paint to Match</i>			
<b>8 Adjuster w/Motor</b>			
<i>w/Memory-Not Serviced</i>			
w/o Memory	R/L	893 959 577	107.15
<i>#Included w/Rear View Mirror Assy</i>			
<b>9 Glass, Mirror</b>			
1992-93			
	R	4A1 857 536 D	85.40
	L	4A1 857 535 B	82.95
1994-97	R	4A1 857 536 AD	99.20
	L	4B0 857 535	38.10
1998			
A6			
Wagon	R	4B0 857 535	38.10
	L	4A1 857 536 AD	99.20
<b>10 Gasket, Mount</b>			

**FRONT DOOR Cont'd**

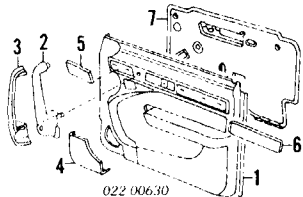
**EXTERIOR TRIM Cont'd**

1992-93	R 4A0 857 544 A	3.70
	L 4A0 857 543 A	3.70
1994-97	R 4A0 857 544 C	3.70
	L 4A0 857 543 C	3.70
1998 A6 Wagon	R 4A0 857 544 C	3.70
	L 4A0 857 543 C	3.70

**INTERIOR TRIM**

R&I Trim Panel..... R/L .6

**NOTE: All Parts in this section are included in R&R Trim Panel unless noted otherwise.**



<b>1 Panel Assy, Outer</b> †			
Velour	R 4A0 867 106 A AMB	.7	d154.00
	L 4A1 867 105 A AMB	.7	405.65
Leather	R 4A0 867 106 B AMP	.7	324.50
	L 4A1 867 105 B AMP	.7	324.50
<b>2 Handle, Pull</b> †	R 4A0 867 172 9XB	.3	18.60
	L 4A0 867 171 9XB	.3	18.60
<b>3 Cover, Handle</b> †	R 4A0 867 196 9XB	15.00	
	L 4A0 867 195 9XB	14.60	
<b>4 Grille, Speaker</b> †	R 4A0 035 420 3VF	2	17.10
	L 4A0 035 419 3VF	2	17.10
†Gray listed. Order by Application			
<b>Speaker, Radio</b>			
w/Bose Sound System	R 4A0 035 382 C	#4	598.00
	L 4A0 035 381 C	#4	626.00
w/o Bose Sound System	R 4A0 035 382 B	#4	183.85
	L 4A0 035 381 B	#4	183.85

<b>#Not Included in R&amp;R Trim Panel</b>			
<b>5 Moulding, Trim Panel Front</b>			
w/Woodgrain			
1992	R 4A0 867 440 P11	2	77.85
	L 4A0 867 439 P11	2	d73.90
1993-97	R 4A0 867 440 B 1WV	2	113.10
	L 4A0 867 439 B 1WV	2	113.10
1998 A6 Wagon	R 4A0 867 440 B 1WV	2	113.10
	L 4A0 867 439 B 1WV	2	113.10
w/o Woodgrain	R 4A0 867 440 A X06	2	107.35
	L 4A0 867 439 A X06	2	109.90
<b>6 Moulding, Trim Panel Rear</b>			
w/Woodgrain			
1992	R 4A0 867 410 P11	2	d135.95
	L 4A0 867 409 P11	2	d135.95
1993-97	R 4A0 867 410 B 1WV	2	189.55
	L 4A0 867 409 B 1WV	2	189.55
1998 A6 Wagon	R 4A0 867 410 B 1WV	2	189.55
	L 4A0 867 409 B 1WV	2	189.55
w/o Woodgrain	R 4A0 867 410 A X06	2	189.55
	L 4A0 867 409 A X06	2	d71.95
<b>7 Pad, Insulator</b>			
1992-93	R/L 4A0 863 979	17.50	
1994-97	R/L 4A0 863 979 B	17.50	
1998 A6 Wagon	R/L 4A0 863 979 B	17.50	

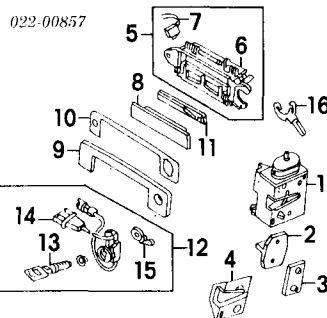
**HARDWARE**

Refinish Outside Handle.....	R/L	.5
Refinish Lower Trim Plate.....	R/L	2
Refinish Upper Trim Plate.....	R/L	2
Refinish Upper Hinge.....	R/L	2
Refinish Lower Hinge.....	R/L	2
R&I Outside Handle.....	R/L	#3.8

**#Includes R&I Trim Panel & Inner Panel**

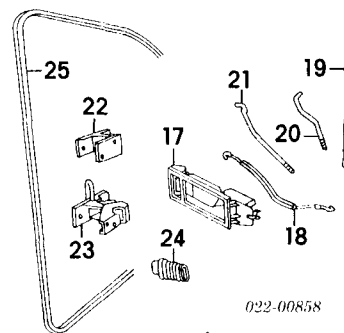
Illustration Located in Next Column

<b>1 Latch Assy</b>			
1992-96	R 4A1 837 016 G	#6	131.85
	L 4A1 837 015 G	#6	131.85
1997	R 4A1 837 016 J	#6	131.85
	L 4A1 837 015 J	#6	127.00
1998 A6 Wagon	R 4A1 837 016 J	#6	131.85
	L 4A1 837 015 J	#6	127.00
<b>#w/Trim Panel Removed</b>			
<b>2 Striker</b>	R/L 4A0 837 035 C	#2	7.40



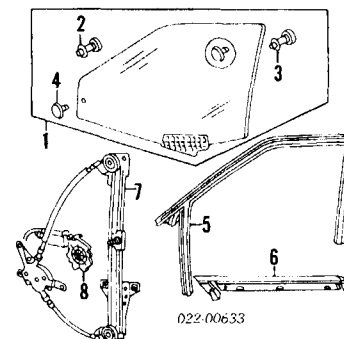
<b>3 Plate, Striker</b>	R/L 4A0 809 237 A	#2	4.10
<b>#R&amp;R Complete</b>			
<b>4 Cover, Latch</b>	R/L 4A0 837 088-7		3.85
<b>5 Handle Assy, Outer (Heated) (P)</b>			
1992-94			
100 Series, S4			
To VIN P040000	R 4A0 837 206 B	#3	92.70
	L 4A0 837 205 B	#3	92.70
From VIN P040001	R 4A0 837 206 K	#3	59.60
	L 4A0 837 205 K	#3	59.60
1995 A6, S6	R 4A0 837 206 K	#3	59.60
	L 4A0 837 205 K	#3	59.60
1996-97	R 4A0 837 206 M	#3	114.00
	L 4A0 837 205 M	#3	133.25
1998 A6 Wagon	R 4A0 837 206 K	#3	59.60
	L 4A0 837 205 K	#3	59.60
<b>#w/Trim Panel &amp; Inner Panel Removed</b>			
<b>6 Handle, Outer (Non-Heated)† (P)</b>			
1992-95			
To VIN P040000	R 4A0 837 206 A	26.60	
	L 4A0 837 205 A	24.80	
From VIN P040001	R 4A0 837 206 J	20.55	
	L 4A0 837 205 J	20.55	
1996-97	R 4A0 837 206 L	77.95	
	L 4A0 837 205 L	20.55	
1998 A6 Wagon	R 4A0 837 206 J	20.55	
	L 4A0 837 205 J	20.55	
<b>(P) Paint to Match</b>			
<b>7 Switch, Micro†</b>	R/L 4A0 959 985		27.30
<b>†Included w/Outer Heated Handle Assy</b>			
<b>8 Plate, Trim Lwr (P)</b>	R/L 893 837 237 E 01C		15.75
<b>9 Plate, Trim Up (P)</b>			
1992-95	R 893 837 240 E 3FZ	28.90	
	L 893 837 239 E 3FZ	28.90	
1996-97	R 4A0 837 240 E 01C	15.75	
	L 4A0 837 239 E 01C	15.75	
1998 A6 Wagon	R 4A0 837 240 E 01C	15.75	
	L 4A0 837 239 E 01C	15.75	
<b>(P) Paint to Match</b>			
<b>10 Gasket, Handle</b>	R 4A0 837 210	1.10	
	L 4A0 837 209	1.00	
<b>11 Retainer, Trim Plate</b>	R/L 893 837 109 E		.92
<b>12 Cylinder Assy, Lock</b>			
Heated			
w/Theft Deterrent			
1992-95	R 4A0 837 064 C	#3	211.60
	L 4A0 837 063 C	#3	211.60
1996	R 4A0 837 064 G	#3	158.00
	L 4A0 837 063 G	#3	162.70
1997	R 4A0 837 064 E	#3	162.70
	L 4A0 837 063 E	#3	162.70
1998 A6 Wagon	R 4A0 837 064 E	#3	162.70
	L 4A0 837 063 E	#3	162.70
w/o Theft Deterrent	R 4A0 837 064 A	#3	122.50
	L 4A0 837 063 A	#3	129.10
Non-Heated			
1992-95	R 4A0 837 064 B	#3	162.70
	L 4A0 837 063 B	#3	158.00
1996	R 4A0 837 064 F	#3	131.85
	L 4A0 837 063 F	#3	131.85
1997	R 4A0 837 064 D	#3	131.85
	L 4A0 837 063 D	#3	131.85
1998 A6 Wagon	R 4A0 837 064 D	#3	131.85
	L 4A0 837 063 D	#3	131.85
<b>#w/Trim Panel Removed</b>			
<b>13 Cylinder, Lock</b>			
1992-95†			
Uncoded	R/L 893 837 062 B	.2	15.35
1996-97-Not Applicable			
1998 A6 Wagon-Not Applicable			
<b>14 Switch, Micro†</b>			
1992-94	R/L 893 959 985 A		73.35
1995-97	R/L 8D0 959 985		59.80
1998 A6 Wagon	R/L 8D0 959 985		59.80

<b>15 Carrier, Switch</b>	R/L 4A0 837 288-7	2.55
1992-95†		
1996-98-Not Applicable		
<b>†Included w/Lock Cylinder Assy</b>		
<b>16 Retainer, Handle</b>	R 893 837 276 A	1.20
	L 893 837 275 A	1.20



<b>17 Handle, Inside</b>			
w/Wood Inlay	R 4A0 837 020 C 9XB	#3	33.75
	L 4A0 837 019 C 9XB	#3	32.85
w/o Wood Inlay	R 4A0 837 020 A 9XB	#3	33.75
	L 4A0 837 019 A 9XB	#3	33.75
<b>#w/Trim Panel Removed</b>			
<b>18 Cable, Pull</b>	R/L 4A0 837 081 A		13.85
<b>19 Rod, Lock</b>	R/L 4A0 837 184-3		4.05
<b>20 Rod, Lock Lever</b>	R/L 4A0 837 195 B		2.40
<b>21 Rod, Operating</b>			
To VIN P040000	R/L 4A0 837 133 A		2.80
From VIN P040001	R/L 4A0 837 133 B		2.70
<b>22 Hinge, Upper</b>	R/L 4A0 831 401 A	#3	43.95
<b>23 Hinge, Lower</b>	R 4A0 831 412 D	#3	108.35
	L 4A0 831 411 D	#3	108.35
<b>#w/Door Removed</b>			
<b>24 Boot</b>	R/L 4A0 959 845 B		3.55
<b>25 W/Strip on Body†</b>	R 4A0 831 722 J 8ZU	.4	167.30
	L 4A0 831 721 J 8ZU	.4	111.70
†Gray listed. Order by Application			

**GLASS & PARTS**



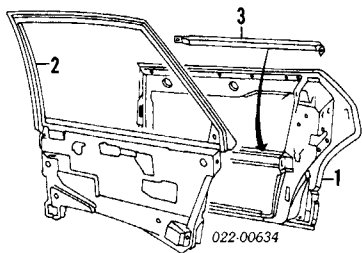
<b>1 Glass Assy, Front Door</b>			
Audi (Tint)	R 4A0 845 022 A	#9	216.30
	L 4A0 845 021 A	#9	216.30
NAGS (Green)	R/L FD04583-4GT Y	#9	578.15
<b>#w/Trim Panel Removed</b>			
<b>2 Pin, Guide Front†</b>	R/L 893 845 469		19.70
<b>3 Pin, Guide Rear†</b>	R/L 443 845 459 D		19.50
<b>4 Screw, Glass† (2/Side)</b>	R/L 443 845 461		13.30
<b>†Included w/OEM Front Door Glass Assy</b>			
<b>5 Channel, Run</b>			
Sedan	R/L 4A0 837 440-39		154.05
Wagon	R/L 4A0 837 440-39		154.05
<b>6 W/Strip, Outer Belt</b>	R/L 4A0 837 478-7		53.00
<b>7 Regulator</b>			
1992-95	R/L 4A0 837 462-1	#1.4	193.85
1996-97	R 4A0 837 462 B	#1.4	139.80
	L 4A0 837 461 B	#1.4	123.05
1998 A6 Wagon	R 4A0 837 462 B	#1.4	139.80
	L 4A0 837 461 B	#1.4	123.05
<b>8 Motor, Regulator</b>			
1992-95	R/L 4A0 959 802-1	#1.4	202.50
1996-97	R 4A0 959 802 D	#1.4	195.00
	L 4A0 959 801 D	#1.4	280.00
1998 A6 Wagon	R 4A0 959 802 D	#1.4	195.00
	L 4A0 959 801 D	#1.4	280.00
<b>#R&amp;R One Side Complete, w/Glass Removed .4</b>			

**REAR DOOR**

Use Procedure Explanations 16 and 28 with the following text.

**SHEET METAL**

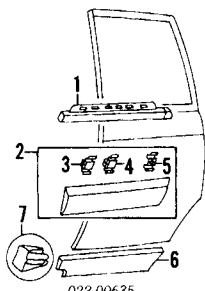
Refinish Door Outside.....	R/L	2.2
Add for Jamb & Interior.....	R/L	1.0
Add for Jamb.....	R/L	.5
R&I Door Assy.....	R/L	.8
Add to R&R Door Shell w/Pwr Lifts & Locks.....	R/L	1.0
Drill Holes for Installation		
One Moulding.....	R/L	.3
Each Additional Moulding.....	R/L	.2



<b>1 Shell, Door</b>					
100 Series, S4	92-94 R	4A0 833 052 A	#6.0	387.60	
	L	4A0 833 051 A	#6.0	387.60	
A6					
1995-97	R	4A0 833 052 C	#6.0	387.60	
	L	4A0 833 051 C	#6.0	387.60	
1998					
Wagon	R	4A0 833 052 C	#6.0	387.60	
	L	4A0 833 051 C	#6.0	387.60	
S6	R	4A0 833 052 C	#6.0	387.60	
	L	4A0 833 051 C	#6.0	387.60	
<i>#Includes R&amp;R Inner Panel</i>					
<b>2 Panel, Inner (a)</b>					
Sedan					
100 Series, S4	92-94 R	4A5 839 754 F	3.5	364.60	
	L	4A5 839 753 F	3.5	364.60	
A6, S6	95 R	4A5 839 754 F	3.5	364.60	
	L	4A5 839 753 F	3.5	364.60	
	R	4A5 839 754 F	3.5	364.60	
	L	4A5 839 753 F	3.5	364.60	
	R	4A5 839 754 F	3.5	364.60	
	L	4A5 839 753 F	3.5	364.60	
Wagon					
100 Series, S4	92-94 R	4A9 839 754 F	3.5	364.60	
	L	4A9 839 753 F	3.5	364.60	
A6					
1995-97	R	4A9 839 754 F	3.5	364.60	
	L	4A9 839 753 F	3.5	364.60	
1998	R	4A9 839 754 F	3.5	364.60	
	L	4A9 839 753 F	3.5	364.60	
<i>(a) Includes Window Frame</i>					
<b>3 Bar, Reinf</b>	R/L	4A0 833 507 C		62.40	

**EXTERIOR TRIM**

Refinish Side Moulding Assy.....	R/L	.5
R&I Side Moulding Assy.....	R/L	.3

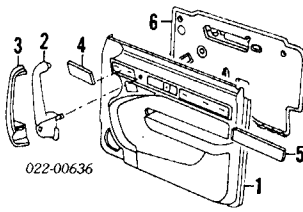


<b>1 Midg, Belt</b> <i>See Glass &amp; Parts Section</i> <i>†Serviced w/Outer Belt W/Strp</i>					
<b>2 Moulding Assy, Side (P)</b>					
100 Series, S4	92-94 R	4A0 853 962 3FZ	.3	52.20	
	L	4A0 853 961 3FZ	.3	52.20	
A6					
1995-97	R	4A0 853 962 A GRU	.3	74.25	
	L	4A0 853 961 A GRU	.3	77.60	
1998					
Wagon	R	4A0 853 962 A GRU	.3	74.25	
	L	4A0 853 961 A GRU	.3	77.60	
S6	R	4A0 853 962 A GRU	.3	74.25	
	L	4A0 853 961 A GRU	.3	77.60	
<i>(P) Paint to Match</i>					
<b>3 Clip, Front</b> <i>†</i>					
1992-94	R/L	4A0 853 825 C		1.40	
1995-97	R/L	4A0 853 825 J		1.40	
1998					
A6					
Wagon	R/L	4A0 853 825 J		1.40	
<b>4 Clip, Center</b> <i>†(4/Side)</i>					
1992-94	R/L	4A0 853 825		1.20	
1995-97	R/L	4A0 853 825 K		2.00	
1998					
A6					

Wagon	R/L	4A0 853 825 K		2.00	
<b>5 Clip, Rear</b> <i>†</i>					
1992-94		92-94		4.65	
1995-97	R	4A0 853 825 A		1.40	
	L	4A0 853 826 G		1.40	
1998					
A6					
Wagon	R/L	4A0 853 825 G		1.40	
<i>†Included w/Side Moulding Assy</i>					
<b>6 Cover, Trim Lower</b>	R	4A0 853 970 01C	.3	42.85	
	L	4A0 853 969 01C	.3	42.85	
<b>7 Cap, Cover</b>	R/L	4A0 853 114-3	.2	41.90	

**INTERIOR TRIM**

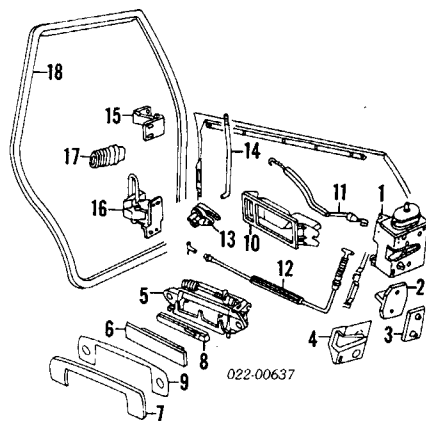
R&I Trim Panel..... R/L .6  
**NOTE: All Parts in this section are included in R&R Trim Panel unless noted otherwise.**



<b>1 Panel Assy, Outer</b> <i>†</i>					
Velour	R	4A0 867 306 Q AMB	.7	376.40	
	L	4A0 867 305 Q AMB	.7	370.90	
Leather	R	4A0 867 306 AA AMP	.7	376.40	
	L	4A0 867 305 AA AMP	.7	376.40	
<b>2 Handle, Pull</b> <i>†</i>	R	4A0 867 372 9XB	.3	18.00	
	L	4A0 867 371 9XB	.3	18.60	
<b>3 Cover, Handle</b> <i>†</i>	R	4A0 867 396 9XB	14.60		
	L	4A0 867 395 9XB	14.60		
<i>†Gray listed, Order by Application</i>					
<b>4 Moulding, Trim Panel Front</b>					
w/Woodgrain					
1992	R	4A0 867 460 P11	.2	d63.50	
	L	4A0 867 459 P11	.2	d63.50	
1993-97	R	4A0 867 480 B 1WV	.2	105.45	
	L	4A0 867 459 B 1WV	.2	105.45	
1998					
A6					
Wagon	R	4A0 867 480 B 1WV	.2	105.45	
	L	4A0 867 459 B 1WV	.2	105.45	
w/o Woodgrain					
1992-96	R	4A0 867 460 A X06	.2	97.25	
	L	4A0 867 459 A X06	.2	97.25	
1997	R	4A0 867 460 C Z53	.2	24.25	
	L	4A0 867 459 C Z53	.2	24.25	
1998					
A6					
Wagon	R	4A0 867 460 C Z53	.2	24.25	
	L	4A0 867 459 C Z53	.2	24.25	
<b>5 Moulding, Trim Panel Rear</b>					
w/Woodgrain					
1992	R	4A0 867 420 P11	.2	129.45	
	L	4A0 867 419 P11	.2	d126.55	
1993-97	R	4A0 867 420 B 1WV	.2	167.10	
	L	4A0 867 419 B 1WV	.2	167.10	
1998					
A6					
Wagon	R	4A0 867 420 B 1WV	.2	167.10	
	L	4A0 867 419 B 1WV	.2	167.10	
w/o Woodgrain					
1992-96	R	4A0 867 420 A X06	.2	162.90	
	L	4A0 867 419 A X06	.2	167.10	
1997	R	4A0 867 420 C Z53	.2	37.85	
	L	4A0 867 419 C Z53	.2	37.85	
1998					
A6					
Wagon	R	4A0 867 420 C Z53	.2	37.85	
	L	4A0 867 419 C Z53	.2	37.85	
<b>6 Pad, Insulator</b>					
1992-94					
Sedan	R/L	4A0 863 981 A		12.30	
Wagon	R/L	4A9 863 981		30.95	
1995-97	R/L	4A0 863 981 A		12.30	
1998					
A6					
Wagon	R/L	4A0 863 981 A		12.30	

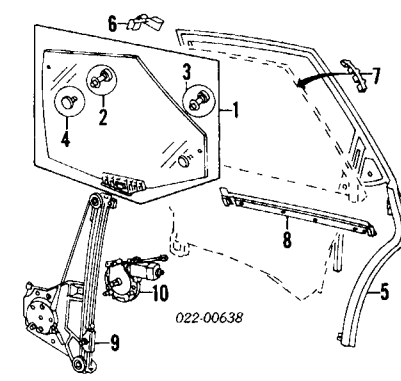
**HARDWARE**

Refinish Lower Trim Plate.....	R/L	.2			
Refinish Upper Trim Plate.....	R/L	.2			
Refinish Upper Hinge.....	R/L	.2			
Refinish Lower Hinge.....	R/L	.2			
R&I Outside Handle.....	R/L	#3.8			
<i>#Includes R&amp;I Trim Panel &amp; Inner Panel</i>					
<i>Illustration Located in Next Column</i>					
<b>1 Latch</b>	R	8D0 839 016 D	#.3	100.45	
	L	8D0 839 015 D	#.3	97.80	
<i>#w/Trim Panel Removed</i>					
<b>2 Striker</b>	R/L	4A0 837 035 C	.2	7.40	
<b>3 Plate, Striker</b>	R/L	4A0 809 237 A		4.10	
<b>4 Cover, Latch</b>	R/L	4A0 837 088-7		3.85	



<b>5 Handle, Outside</b>					
To VIN P040000	R	4A0 839 206 B	#.3	21.95	
	L	4A0 839 205 B	#.3	21.95	
From VIN P040001	R	4A0 839 206 F	#.3	21.95	
	L	4A0 839 205 F	#.3	21.95	
<i>#w/Trim Panel &amp; Inner Panel Removed</i>					
<b>6 Plate, Trim Lower (P)</b>	R/L	893 837 237 E 01C		15.75	
<b>7 Plate, Trim Upper (P)</b>	R/L	4A0 839 238 B 01C		13.30	
<i>(P) Paint to Match</i>					
<b>8 Retainer, Trim Plate</b>	R/L	893 837 109 E		.92	
<b>9 Gasket, Handle</b>	R/L	893 839 209		1.90	
<b>10 Handle, Inside</b>					
w/Wood Inlay	R	4A0 839 020 C 9XB	#.3	33.75	
	L	4A0 839 019 C 9XB	#.3	d32.85	
w/o Wood Inlay	R	4A0 839 020 A 9XB	#.3	32.65	
	L	4A0 839 019 A 9XB	#.3	32.65	
<i>#w/Trim Panel Removed</i>					
<b>11 Cable, Pull</b>	R/L	4A0 839 081 A		12.95	
<b>12 Cable, Lock</b>	R/L	4A0 839 191 A		9.95	
<b>13 Lever, Relay</b>	R	4A0 839 826		2.55	
	L	4A0 839 825		2.50	
<b>14 Rod, Lock</b>	R/L	4A0 839 183		3.15	
<b>15 Hinge, Upper</b>	R/L	4A0 833 401	#.3	43.95	
<b>16 Hinge, Lower</b>	R	8D0 833 412 C	#.3	123.20	
	L	8D0 833 411 C	#.3	123.20	
<i>#w/Door &amp; Center Pillar Trim Removed, R&amp;R Upper &amp; Lower .4</i>					
<b>17 Boot</b>	R/L	4A0 959 845 C		3.55	
<b>18 W/Strip/Body</b> <i>†</i>					
Sedan	R	4A5 833 722 N 8ZU	.6	94.30	
	L	4A5 833 721 N 8ZU	.6	94.30	
Wagon	R	4A9 833 722 H 8ZU	.6	94.30	
	L	4A9 833 721 H 8ZU	.6	94.30	
<i>†Gray listed, Order by Application</i>					

**GLASS & PARTS**



<b>1 Glass Assy, Rear Door</b>					
Audi (Tint)	R	4A5 845 026 A	#.6	216.30	
	L	4A5 845 025 A	#.6	216.30	
NAGS (Green)					
Sedan					
w/Attachment	R/L	FD04585-6GTU	#.6	584.60	
w/o Attachment	R/L	FD04585-6GTN	#.6	504.40	
Wagon	R/L	FD04723-4GTN	#.6	0.00	
<i>#w/Trim Panel Removed</i>					
<b>2 Pin, Guide Front</b> <i>†</i>	R/L	443 845 459 D		19.50	
<b>3 Pin, Guide Rear</b> <i>†</i>	R/L	893 845 469		19.70	
<b>4 Screw, Glass</b> <i>†(2/Side)</i>	R/L	443 845 461		13.30	
<i>†Included w/OEM Rear Door Glass Assy</i>					
<b>5 Channel, Run</b>					
Sedan	R	4A5 839 440 A		d88.55	
	L	4A5 839 439 J		254.95	
Wagon					
1992-94	R	4A9 839 440 E		265.45	
	L	4A9 839 439 E		239.50	
1995-97	R	4A9 839 440 E		265.45	
	L	4A9 839 439 E		239.50	
1998					
A6					
Wagon	R	4A9 839 440 E		265.45	



**REAR DOOR Cont'd**

**GLASS & PARTS Cont'd**

6	Clamp, Front To VIN N120000	R 4A0 839 720	d2.00	
	From VIN N120001	R 4A0 839 719 A R 4A0 839 720 A L 4A0 839 719 A	2.10 2.10 2.10	
7	Clamp, Rear Sedan Wagon	R/L 4A5 839 719 R/L 4A5 839 719	2.10 2.10	
8	W/Strip, Outer Belt	R/L 4A0 839 478-7	.3	56.80
9	Regulator 1992-95 1996-97 1998 A6 Wagon	R/L 4A0 839 462-1 R 4A0 839 462 A L 4A0 839 461 A  R 4A0 839 462 A L 4A0 839 461 A	#1.2 #1.2 #1.2  #1.2 #1.2	84.65 84.65 84.65  84.65 84.65
10	Motor, Regulator 1992-95 1996-97 1998 A6 Wagon	R 4A0 959 802 A L 4A0 959 801 A R 4A0 959 802 E L 4A0 959 801 E  R 4A0 959 802 E L 4A0 959 801 E	#1.2 #1.2 #1.2 #1.2  #1.2 #1.2	202.50 202.50 214.50 214.50  214.50 214.50

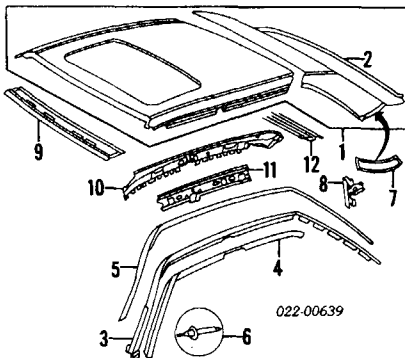
#R&R One Side Complete, w/Glass Removed .4

**ROOF**

Use Procedure Explanations 17 and 28 with the following text.

**SHEET METAL/EXTERIOR TRIM  
SEDAN**

Refinish Roof Outside	3.2
Refinish Pillar Trim Moulding	R/L .3



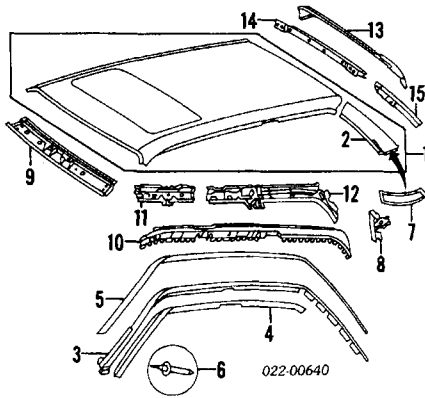
1	Panel Assy, Roof w/Sunroof w/o Sunroof	4A5 817 017 A 4A5 817 111 4A5 817 145	23.0 20.5	1395.00 924.00 967.00
2	Frame, Back Window	4A5 817 145		
3	Moulding, Drip 92-94 R L 4A5 853 704 J 01C 4A5 853 703 J 01C 95-97 R L 4A5 853 704 N 2ZZ 4A5 853 703 N 2ZZ	4A5 853 704 J 01C 4A5 853 703 J 01C 4A5 853 704 N 2ZZ 4A5 853 703 N 2ZZ	.6 .6 .6 .6	106.50 106.50 211.90 211.90
4	Strip, Cover R L 4A5 853 710 H 01C 4A5 853 709 H 01C	4A5 853 710 H 01C 4A5 853 709 H 01C		27.90 18.60
5	Tape, Sealing [Cut to Fit]	AKL 448 030 05		49.45
6	Rivet, Cover Strip	R/L N 016 202 3		.58
7	Mldg, Pillar Trim (P) (P) Paint to Match	R 4A5 853 216 GRU L 4A5 853 215 GRU	2 2	28.15 31.80
8	Clip, Moulding	R/L 4A5 853 929		1.50
9	Header, Front	4A0 817 995 A	1.5	70.45
10	Rail, Side Outer	R/L 4A5 817 364-3	2.0	41.60
11	Rail, Side Inner 100 Series, S4 A6, S6	92-94 R/L 4A5 817 968 A L 4A5 817 967 A 95-97 R/L 4A5 817 968 A L 4A5 817 967 A	2.0 2.0 2.0 2.0	64.90 64.90 64.90 64.90
12	Header, Rear	4A5 817 983	1.5	69.10

**SHEET METAL/EXTERIOR TRIM  
WAGON**

Refinish Roof Outside	3.4
Refinish Pillar Trim Moulding	R/L .3

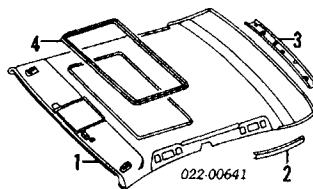
Illustration Located in Next Column

1	Panel Assy, Roof w/Sunroof w/o Sunroof	4A9 817 017 F	25.0	1291.00
---	--	---------------	------	---------



FWD AWD	4A9 817 021 F	22.5	901.00	
To VIN P013076 From VIN P013077	4A9 817 021 D 4A9 817 021 F	22.5 22.5	d876.00 901.00	
2	Panel, Pillar [Included w/Roof Panel Assy]	R/L 4A9 817 146-5	3.0	914.00
3	Moulding, Drip Black Chrome	R 4A9 853 704 J 01C L 4A9 853 703 J 01C R 4A9 853 704 K 2ZZ L 4A9 853 703 K 2ZZ	.5 .5 .5 .5	102.45 106.50 211.90 211.90
4	Strip, Cover R L 4A9 853 710 K 01C 4A9 853 709 K 01C	4A9 853 710 K 01C 4A9 853 709 K 01C		27.05 27.90
5	Tape, Sealing [Cut to Fit]	AKL 448 030 05		49.45
6	Rivet, Cover Strip	R/L N 905 763 01	.5	45
7	Mldg, Pillar Trim (P) (P) Paint to Match	R 4A9 853 216 GRU L 4A9 853 215 GRU	.5 .5	28.15 27.15
8	Clip, Moulding	R 4A9 853 930 L 4A9 853 929		3.75 3.60
9	Header, Front 1992-95 1996-98 FWD AWD	4A0 817 995 A 4A0 817 995 A 4A0 817 995 A	1.5 1.5 1.5	70.45 70.45 70.45
10	Rail, Side Outer	R 4A9 817 976 A L 4A9 817 975 A		266.50 266.50
11	Rail, Side Inner Front 100 Series, S4 A6 1995-98 S6	92-94 R/L 4A9 817 966-5 R 4A9 817 966 A L 4A9 817 965 A R 4A9 817 966 A L 4A9 817 965 A	1.5 1.5 1.5 1.5 1.5	d66.85 74.40 74.40 74.40 74.40
12	Rail, Side Inner Rear	R/L 4A9 817 350-49	1.5	119.30
13	Frame, Upper Outer	4A9 817 981 B		166.85
14	Frame, Upper Inner	4A9 817 565 B		119.30
15	Plate, Insert	R 4A9 817 372 L 4A9 817 371		77.75 75.50

**INTERIOR TRIM  
SEDAN & WAGON**



1	Headliner, Moulded Sedan w/Sunroof w/o Sunroof Wagon w/Sunroof w/o Sunroof	4A5 867 505 K E67 4A5 867 505 F E67 4A9 867 505 R E67 4A9 867 505 A 8ZU	5.0 4.5 6.0 5.5	428.65 428.65 463.70 440.05
2	Strip, Cover Wagon	R/L 4A9 867 531 A 8ZU		28.15
3	Trim, Roof Frame Wagon	4A9 867 839 7DN 4A0 867 561 A 3VF		115.20 63.45
4	Trim, Opening [Gray listed, Order by Application]			

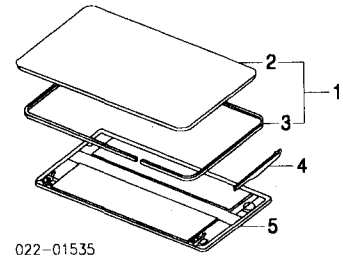
**OVERHEAD CONSOLE**

Lamp Assy (a) w/Sunroof w/o Sunroof	895 947 105 3VF 443 947 105 E 3VF	.3 .3	26.95 35.90
Bulb [Included w/Lamp Assy]	N 900 349 01		1.75
Plate, Lamp Reint w/Sunroof w/o Sunroof	4A0 867 529 A 4A0 867 529		10.25 5.15

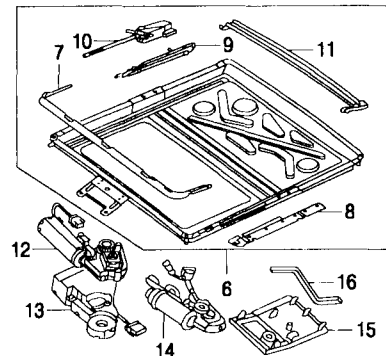
**SUNROOF**

Refinish Sliding Panel	1.0
R&I Sliding Panel	1.5
O/H Sunroof	#3.5
<b>#w/Headliner Removed</b>	
Adjust Sunroof	1.0

NOTE: All Parts in this section are included in overhaul unless noted otherwise.



1	Panel Assy, Sliding Glass Steel-Serviced by Components	4A0 877 071 A	1.5	523.00
2	Panel, Sliding Glass [Serviced by Assy] Steel	4A0 877 071	#1.8	437.20
<b>#Includes R&amp;R W/Strip</b>				
3	W/Strip, Sliding Panel Glass Panel Steel Panel	4A0 877 297 C 4A0 877 297 G	1.8 1.8	101.85 101.85
<b>[Included w/Sliding Panel Assy]</b>				
4	Trim, Panel	R/L 4A0 877 156-5		5.50
5	Panel, Headliner (a) Glass 1992-95 1996-97 1998 A6 Wagon Steel	4A0 877 255 A 8ZU 4A0 877 255 F E67 4A0 877 255 F E67 4A0 877 255 E E67		517.00 517.00 517.00 301.50
<b>(a) Gray listed, Order by Application</b>				
Trim, Side Inner Headliner Glass	R/L 4A0 877 782-1			136.65



6	Frame Assy 1992-94 1995-97 1998 A6 Wagon	4A0 877 011 E 4A0 877 011 H 4A0 877 011 H	#3.5 #3.5	706.00 706.00
<b>#w/Headliner Removed</b>				
7	Deflector, Air 1992-94 1995-97 1998 A6 Wagon	4A0 877 651 A 4A0 877 651 C 4A0 877 651 C	.5 .5 .5	140.70 140.70 140.70
8	Guide, Front 1992-94 Glass Steel 1995-97 1998 A6 Wagon	R 4A0 877 426 A L 4A0 877 425 A R/L 4A0 877 426-5 R 4A0 877 426 C L 4A0 877 425 C  R 4A0 877 426 C L 4A0 877 425 C		49.80 49.80 49.80 18.10 18.10  18.10 18.10
9	Guide, Side 1992-94 1995-97 1998 A6 Wagon	R/L 4A0 877 152-1 R 4A0 877 152 A L 4A0 877 151 A  R 4A0 877 152 A L 4A0 877 151 A		55.50 42.35 36.45  42.35 36.45
10	Guide w/Cable, Rear Glass			

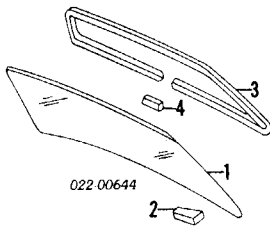
1992-94	R/L	4A0 898 015 A	165.25
1995-97	R/L	4A0 898 015 C	158.15
1998			
A6			
Wagon	R/L	4A0 898 015 C	158.15
Steel			
1992-94	R/L	4A0 898 015	182.05
1995-97	R/L	4A0 898 015 B	159.65
1998			
A6			
Wagon	R/L	4A0 898 015 B	159.65
11 Channel, Rear			
Glass		4A0 877 633 A	125.80
Steel		4A0 877 633	74.85
<i>Included w/Frame Assy</i>			
12 Motor, Sliding Panel			
w/Auto Preselection			
To VIN R020000		4A0 959 605	.8 379.30
From VIN R020001		4A0 959 609 A	.8 488.40
13 Preselection Unit			
To VIN R020000		4A0 959 609	.8 507.00
From VIN R020001-Serviced w/Sliding Panel Motor			
14 Motor, Sliding Panel			
w/o Auto Preselection		4A0 877 795 A	.8 568.00
15 Cover, Motor (a)			
w/Auto Preselection		895 877 829 A 7CX	189.55
w/o Auto Preselection		4A0 877 829 7DN	169.45
<i>(a) Gray listed, Order by Application</i>			
16 Crank, Gear		895 877 849	5.10

**BACK WINDOW**

*Use Procedure Explanation 19 with the following text.*

**SEDAN**

R&L Back Window Glass	#3.4
<i>#Includes Clean Up Old Adhesive as Necessary</i>	



1 Glass, Back Window			
Audi (Heated/Tint)	4A5 845 501 Q	#3.0	440.40
NAGS (Heated/Green)			
w/Quattro	FB05280GTN	#3.0	818.60
w/o Quattro	FB04589GTN	#3.0	818.60
<i>#Includes Clean Up Old Adhesive as Necessary</i>			
2 Wedge, Adjustment	R/L 443 845 631 B	1.50	
Adhesive Set, Glass (Metal)	D 000 703 A1	8.00	
Wire, Cutting	357 845 955	97.40	
Sealant, 1K Adhesive	DH 009 100 03	22.80	
Sealant, 2K Adhesive	D 009 100	d36.85	
3 Moulding, Reveal	4A5 845 521 A 01C	47.25	
4 Cover, Joint	4A5 853 367 C 01C	.82	

**QUARTER PANEL**

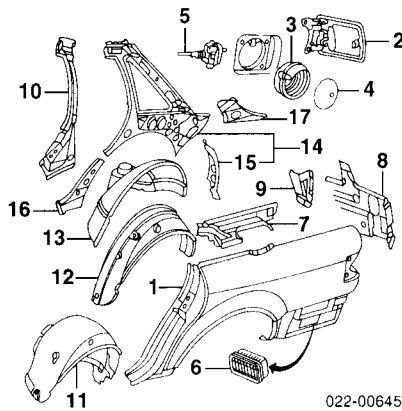
*Use Procedure Explanations 20 and 28 with the following text.*

**SHEET METAL SEDAN**

Refinish Quarter Outside	R/L	2.3
Add to Edge Panel	R/L	.5
Add for Pillar	R/L	.5
Refinish Fuel Filler Door		.4
R&R Both Quarter Panels		25.3
R&R Roof & Both Quarter Panels		
w/Sunroof		40.3
w/o Sunroof		37.3
R&R Rear Body Panel & Both Quarter Panels		28.8
R&R Roof, Both Quarters & Rear Body Panel		
w/Sunroof		43.8
w/o Sunroof		40.8
Add to R&R Quarter Panel		
To Drill Holes for Installation		
One Moulding	R/L	.3
Each Additional Moulding	R/L	.2
To R&L Quarter Glass	R/L	.2
To R&L Back Glass		.4

*Illustration Located in Next Column*

1 Panel, Outer Quarter			
100 Series, S4	92-94 R 4A5 809 602 B	#16.0	393.85
	L 4A5 809 601 A	#15.5	347.65
A6, S6	95-97 R 4A5 809 602 B	#16.0	393.85
	L 4A5 809 601 A	#15.5	347.65
<i>#Add to R&amp;R Back Window Frame Section 6.5, Deduct 5.5 w/Roof Removed, Deductions Include Common Surfaces &amp; Included Operations</i>			

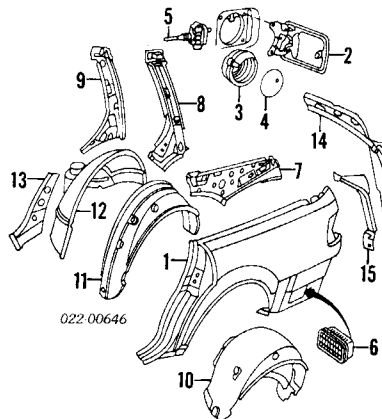


022-00645

2 Door, Fuel Filler	R 4A0 809 905 D	.3	36.80
3 Seal, Opening	4A0 809 974 B		5.50
4 Ring, Retainer	8A0 809 929		2.50
5 Actuator, Power Lock			
To VIN R080000	4A0 862 153 A		39.30
From VIN R080001	4A0 862 153 C		38.15
6 Vent, Pressure Release	R/L 4A0 819 181		18.20
7 Reinf, Rear Upper	R 4A5 809 630 B		125.25
	L 4A5 809 629 B		125.25
	R 4A5 809 614 A		65.40
	L 4A5 809 613 A		65.40
	R 4A5 809 650 A		24.65
	L 4A5 809 649 A		21.05
10 Pillar, Upper Outer	R/L 4A5 809 268-7	3.5	115.90
11 Liner, Fender Inr (Plastic)	R 4A0 810 172 C	.4	39.75
	L 4A0 810 171	.4	39.75
12 Wheelhouse, Outer	R 4A0 809 412 A	s #3.0	171.35
	L 4A0 809 411 A	s #3.0	168.65
13 Wheelhouse, Inner			
FWD	R/L 4A0 809 852-1	s #2.5	344.50
AWD	R 4A0 809 852 A	s #2.5	344.50
	L 4A0 809 851 A	s #2.5	344.50
<i>#R&amp;R Both One Side 4.5</i>			
14 Panel Assy, Side Inner	R/L 4A5 809 048-7		258.25
15 Reinf, Wheelhouse	R/L 4A5 809 442-1	.5	26.95
<i>#Included w/Inner Side Panel Assy</i>			
16 Reinf, Wheelhouse	R 4A0 809 430		23.15
	L 4A0 809 429		23.85
	4A5 809 424		23.75
17 Plate, Right Filler			

**SHEET METAL WAGON**

Refinish Quarter Outside	R/L	2.5
Add to Edge Panel	R/L	.5
Add for Pillar	R/L	.5
Refinish Fuel Filler Door		.4
R&R Both Quarter Panels		29.9
R&R Roof & Both Quarter Panels		
w/Sunroof		48.4
w/o Sunroof		45.9
R&R Rear Body Panel & Both Quarter Panels		33.4
R&R Roof, Both Quarters & Rear Body Panel		
w/Sunroof		51.9
w/o Sunroof		49.4
Add to R&R Quarter Panel		
To Drill Holes for Installation		
One Moulding	R/L	.3
Each Additional Moulding	R/L	.2
To R&L Quarter Glass	R/L	.2



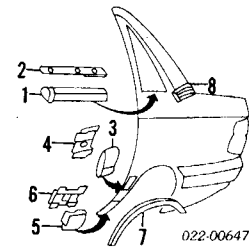
022-00646

1 Panel, Outer Qtr			
1992-94	R 4A9 809 604 B	16.0	378.70
	L 4A9 809 603 B	15.0	367.65
1995-98	R 4A9 809 604 B	16.0	378.70
	L 4A9 809 603 B	15.0	367.65

2 Door, Fuel Filler	4A0 809 905 D	.3	36.80
3 Seal, Opening	4A0 809 974 B		5.50
4 Ring, Retainer	8A0 809 929		2.50
5 Actuator, Power Lock			
To VIN R080000	4A0 862 153 A		39.30
From VIN R080001	4A0 862 153 C		38.15
6 Vent, Pressure Release	R/L 4A0 819 181		18.20
7 Reinf, Pillar Upper	R/L 4A9 809 992-1	3.5	123.40
8 Pillar, Upper Outer	R/L 4A9 809 268-7	3.0	115.90
9 Pillar, Upper Inner	R/L 4A9 809 802-1	3.0	160.45
10 Liner, Fender Inr (Plastic)	R 4A0 810 172 C	.4	39.75
	L 4A0 810 171	.4	39.75
11 Wheelhouse, Outer	R 4A0 809 412 A	#3.0	171.35
	L 4A0 809 411 A	#3.0	168.65
12 Wheelhouse, Inner			
FWD	R/L 4A0 809 852-1	s #2.5	344.50
AWD			
1992-94	R/L 4A0 809 852-1	s #2.5	344.50
1995-98	R 4A0 809 852 A	s #2.5	344.50
	L 4A0 809 851 A	s #2.5	344.50
<i>#R&amp;R Both One Side 4.5</i>			
13 Reinf, Wheelhouse	R 4A0 809 430	2.0	23.15
	L 4A0 809 429	2.0	23.85
14 Pillar, Rear Inner	R 4A9 809 352 A		176.80
	L 4A9 809 351 A		110.20
15 Reinf, Rear	R 4A9 809 650 A		60.35
	L 4A9 809 649 A		60.35

**EXTERIOR TRIM SEDAN**

Refinish Side Mldg	R/L	.3
R&L Side Moulding	R/L	.3
R&L Wheel Opening Trim	R/L	.2

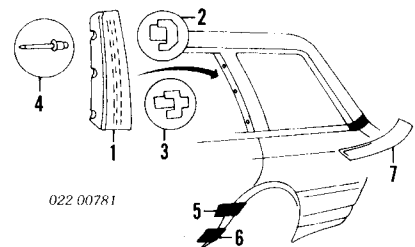


022-00647

1 Moulding, Belt S4	R 4A5 853 346 C 01C	.2	d45.65
	L 4A5 853 345 C 01C	.2	d45.65
2 Retainer, Moulding	R 4A5 853 398 A		d22.10
	L 4A5 853 397 A		d22.10
3 Moulding, Side 100 Series, S4	92-94 R 4A0 853 984 3FZ	.3	5.85
	L 4A0 853 983 3FZ	.3	5.85
A6, S6 (P)	95-97 R 4A0 853 984 A GRU	.3	9.60
	L 4A0 853 983 A GRU	.3	9.60
<i>(P) Paint to Match</i>			
4 Clip, Moulding	92-94 R/L 4A0 853 806-5		.82
	95-97 R 4A0 853 826 H		1.40
	L 4A0 853 825 H		1.40
5 Cover, Trim Lower	R 4A0 853 700 01C		12.05
	L 4A0 853 699 01C		12.05
6 Clip, Cover	R 4A0 853 806 A		.82
	L 4A0 853 805 A		.82
7 Trim, Wheel Opening			
1992-94			
100 Series	R 4A0 853 818 GRU	.2	d50.25
	L 4A0 853 817 GRU	.2	132.40
S4	R 4A0 853 818 A GRU	.2	171.90
	L 4A0 853 817 A GRU	.2	166.85
1995-97			
To 9-94	R 4A0 853 818 A GRU	.2	171.90
	L 4A0 853 817 A GRU	.2	166.85
From 10-94	R 4A0 853 818 C GRU	.2	140.20
	L 4A0 853 817 C GRU	.2	144.05
8 Moulding, Pillar-See Roof Section			

**EXTERIOR TRIM WAGON**

Refinish Side Moulding	R/L	.3
R&L Side Moulding	R/L	.2



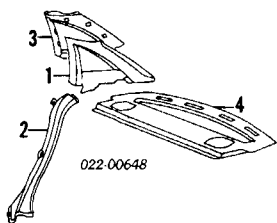
022-00781

1 Mdg, Pillar Trim			
1992-94	R 4A9 853 218 A 01C	.3	d35.50
	L 4A9 853 377 A 01C	.3	57.00
1995-98	R 4A9 853 378 A 01C	.3	57.00
	L 4A9 853 377 A 01C	.3	57.00
2 Clip, Upper	R/L 4A9 853 231 D		13.40
3 Clip, Lower	R/L 4A9 853 231 D		13.40

## QUARTER PANEL Cont'd

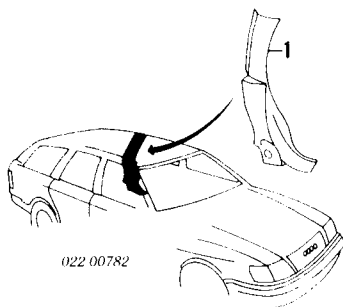
EXTERIOR TRIM			
WAGON Cont'd			
4 Rivet (3/5ide)	R/L N 906 349 01		.38
5 Moulding, Side (P)	92-94 R 4A0 853 984 3FZ	2	5.85
	L 4A0 853 983 3FZ	2	5.85
A6			
1995-98	R 4A0 853 984 A GRU	2	9.60
	L 4A0 853 983 A GRU	2	9.60
S6			
	R 4A0 853 984 A GRU	2	9.60
	L 4A0 853 983 A GRU	2	9.60
(P) Paint to Match			
Clip, Moulding	R/L 4A0 853 806-5		.82
1992-94	R 4A0 853 826 H		1.40
1995-98	L 4A0 853 825 H		1.40
6 Cover, Trim Lower	R 4A0 853 700 01C		12.05
	L 4A0 853 699 01C		12.05
Clip, Cover	R 4A0 853 806 A		.82
	L 4A0 853 805 A		.82
7 Moulding, Pillar-See Roof Section			

## INTERIOR TRIM SEDAN



1 Panel, Upper Trim]]	R 4A5 867 242 A ADP	.3	104.60
	L 4A5 867 241 A ADP	.3	104.60
2 Panel, Lower Trim]]	R 4A0 864 608 3VF	.3	7.10
	L 4A0 864 607 3VF	.3	7.10
†Gray listed, Order by Application			
3 Insulator, Upper	R 4A5 867 278 A		16.05
	L 4A5 867 277 A		16.05
4 Tray, Package Shelf]]	4A5 863 411 3WZ	#.7	104.25
#Includes R&R Speakers & Grilles			
Speaker, Radio (Kit)]			
w/Bose Sound System	R 4A5 035 402 A 3VF	.6	d308.15
	L 4A5 035 401 A 3VF	.6	d292.45
w/o Bose Sound System	R 4A5 035 402 3VF	.6	292.95
	L 4A5 035 401 3VF	.6	d259.25
†Gray listed, Order by Application			

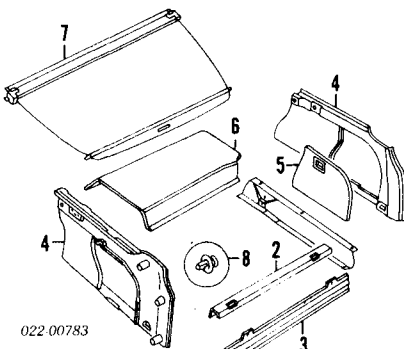
## INTERIOR TRIM WAGON



1 Pnl, C Pillar Trim]]			
1992-95	R 4A9 867 242 7DN	.3	d163.95
	L 4A9 867 241 7DN	.3	163.95
1996-98	R 4A9 869 242 7CX	.3	0.00
	L 4A9 869 241 7CX	.3	0.00
Pnl, D Pillar Trim]]			
1992-95	R 4A9 867 296 7DN		122.50
	L 4A9 867 295 7DN		122.50
1996-98	R 4A9 867 296 7CX		129.75
	L 4A9 867 295 7CX		129.75
†Gray listed, Order by Application			

Illustration Located in Next Column

2 Plate, Sill	4A9 863 471	2	202.60
3 Panel, Rear Body]]	4A9 863 467 F82	2	88.70
4 Panel, Side Trim]]	R 4A9 863 882 A EHH	.3	463.65
	L 4A9 863 881 EHH	.3	463.65
5 Cover, Side Trim]]	R 4A9 863 716 F82	.1	228.20
	L 4A9 863 715 F82	.1	228.20
6 Panel, Lwr Trim]]	4A9 863 462 A F82	2	301.25
7 Blind, Compartment]]	4A9 863 553 A H99		451.50

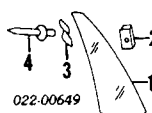


†Blue listed, Order by Application  
8 Clip, Side Trim (a) 823 867 299 1.16  
(a) As Required

## QUARTER GLASS

### SEDAN

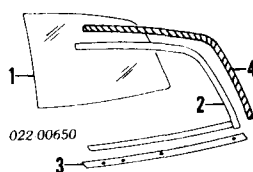
R&I Quarter Glass ..... R/L #1.2  
#Includes Clean Up Old Adhesive as Necessary



1 Glass, Quarter Audi (Tint)			
100 Series, S4	92-94 R 4A5 845 300 Q	#1.0	179.65
	L 4A5 845 299 Q	#1.0	179.65
A6, S6 w/Mldgs	95-97 R 4A5 845 300 R	#1.0	275.40
	L 4A5 845 299 R	#1.0	264.80
w/o Mldgs	95-97 R 4A5 845 300 Q	#1.0	179.65
	L 4A5 845 299 Q	#1.0	179.65
NAGS (Green) w/Attachment	R/L FQ04587-8GTY	#1.0	695.80
w/o Attachment	R/L FQ04587-8GTN	#1.0	0.00
#Includes Clean Up Old Adhesive as Necessary			
2 Bracket, Retaining (3/5ide)	92-94 R/L 4A5 845 453	.82	1.40
	95-97 R/L 4A5 845 910		49.45
3 Foil, Protective]]	AKL 448 030 05		49.45
†Cut to Fit			
4 Rivet (3/5ide)	R/L N 906 763 01		.45

### WAGON

R&I Quarter Glass ..... R/L #2.2  
#Includes Clean Up Old Adhesive as Necessary



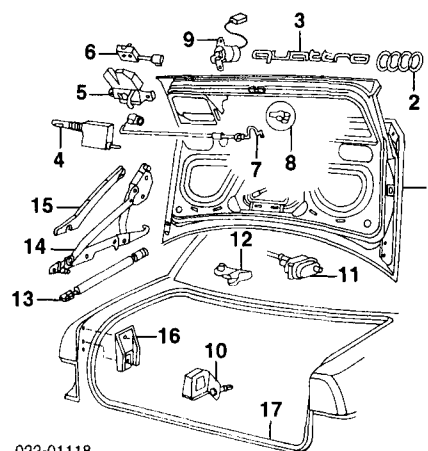
1 Glass, Quarter Audi (Tint)			
1992-94	R 4A9 845 302 A	#2.0	200.35
	L 4A9 845 301 A	#2.0	200.35
1995-98	R 4A9 845 300 Q	#2.0	308.70
	L 4A9 845 299 Q	#2.0	308.70
NAGS (Green)	R/L FQ04725-6GTN	#2.0	515.90
#Includes Clean Up Old Adhesive as Necessary			
2 Seal, Glass	R 4A9 845 142 C		179.95
	L 4A9 845 141 C		179.95
3 Foil, Protective]]	AKL 448 030 05		49.45
†Cut to Fit			
4 Strip, Retaining	R/L 4A9 845 453 D		48.35

## LUGGAGE LID

Use Procedure Explanations 24 and 28 with the following text.

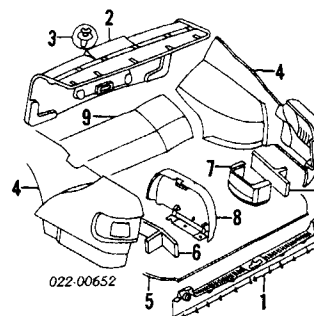
### SHEET METAL

Refinish Luggage Lid Outside	2.5
Add for Underside	1.2
Refinish Hinge	R/L .2
R&I Luggage Lid	.6



1 Lid, Luggage	4A5 827 023 E	2.0	572.00
2 Ornament, Audi	4A5 853 742 2ZZ	.2	17.50
3 Nameplate "Audi" "Quattro"	92-94 4A5 853 687 2ZZ	.2	17.50
	92-94 4A5 853 737 2ZZ	.2	25.95
	95-97 4B0 853 737 D 2ZZ	.2	11.55
"100"	92-94 4A5 853 741 B 2ZZ	.2	8.45
"A"	95-97 4A5 853 741 B 2ZZ	.2	5.60
"6"	95-97 4A5 853 741 E 2ZZ	.2	5.60
"S"	92-94 4A5 853 745 D 2ZZ	.2	8.45
"CS"	92-94 4A5 853 745 E 2ZZ	.2	11.55
"S4"	92-94 4A5 853 735 A 2ZZ	.2	d61.50
"S6"	95-97 4A5 853 735 E 2ZZ	.2	21.35
"2.8"	4A5 853 743 M 2ZZ	.2	11.55
Trim, License Plate	4A5 853 465 E GRU		112.10
4 Solenoid, Latch	4A5 962 115	.3	103.30
5 Latch	4A5 827 506 H 01C	.3	41.00
6 Switch, Alarm	92-94 4A5 959 489 A		30.00
	95-97 4A5 959 489 B		29.40
7 Rod, Connecting w/Pwr Locks	92-94 4A5 827 541 C		13.80
	95-97 4A5 827 541 C		13.80
	92-94 4A5 827 541 B		13.80
	95-97 4A5 827 541 B		13.80
8 Clip, Rod	893 837 821 A		.73
9 Cyl & Key, Lock	92-94 4A5 862 055	.3	75.40
	96-97 4D0 827 573	.3	99.05
	4A5 827 507 A	.2	8.40
10 Striker	4A0 862 153		36.50
11 Actuator Power Lock To VIN R080000 From VIN R080001	4A0 862 153 B		36.50
	893 837 821 A		.73
12 Clip	R/L 4A5 827 552		43.35
13 Strut, Support	R 4A5 827 302 E	#.4	90.20
14 Hinge	L 4A5 827 301 E	#.4	90.20
#w/Lid Removed			
15 Cover, Hinge	R 4A5 971 822 A		4.60
	L 4A5 971 821 A		4.60
16 Stop, Rubber	4A5 827 347		14.70
17 Weatherstrip	4A5 827 706	.8	92.15

## INTERIOR TRIM



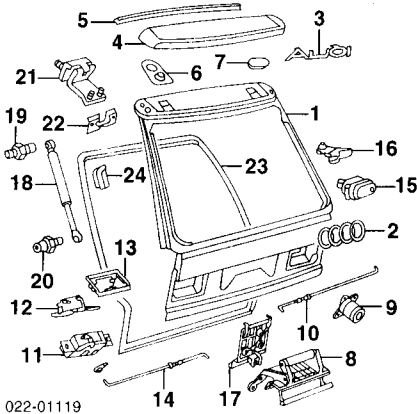
1 Panel, Rear Body	4A5 863 485 01C	.4	25.40
2 Panel, Luggage Lid	92-95 4A5 867 975 H 4ZW	.3	124.35
	96-97 4A5 867 975 H 4ZW	.3	124.35
3 Nut, Retainer (6)	4A0 867 340		.45
4 Panel, Trim Side	R 4A5 863 882 4ZW	.3	91.55
	L 4A5 863 881 4ZW	.3	104.25
5 Panel, Trim Lower Rubber Fleece	4A5 863 463 L C41	.2	231.75
	4A5 863 463 4ZW	.2	74.05
6 Shelf	R 4A5 863 476 4ZW	.2	42.35
	L 4A5 863 475 4ZW	.2	52.70
7 Cover, CD Changer	92-94 4A5 863 716 4ZW	.2	96.55
	95-97 4A5 863 716 A 4ZW	.2	148.50
8 Cover, Battery	4A5 863 715 4ZW	.2	241.10
9 Panel, Trim Front	4A5 863 464 4ZW	.2	35.90

**LIFTGATE**

Use Procedure Explanations 25 and 28 with the following text.

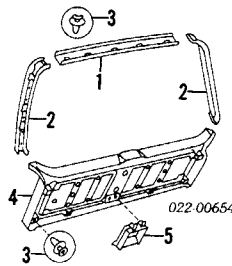
**SHEET METAL**

Refinish Liftgate Outside.....	2.0
Add for Underside.....	1.0
Refinish Hinge.....	R/L 2
Refinish Spoiler.....	.8
R&I Gate Assy.....	.8
Add to R&R Liftgate	
To Transfer Glass.....	.7



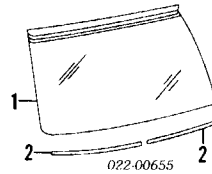
<b>1 Shell, Liftgate</b>			
1992-94			
FWD	4A9 827 023 T	3.0	560.00
AWD			
To VIN P013076	4A9 827 025 C	3.0	d653.00
From VIN P013077	4A9 827 023 T	3.0	560.00
1995-97			
To VIN S075000	4A9 827 023 T	3.0	560.00
From VIN S075001	4A9 827 023 T	3.0	560.00
1998			
A6			
Wagon	4A9 827 023 S	3.0	559.00
<b>2 Ornament, Audi</b>			
<b>3 Nameplate</b>			
"Audi"			
"Quattro"	92-94 893 853 687 2ZZ	2	17.50
1992-94			
To 6-92	893 853 737 C 2ZZ	2	19.05
From 7-92	8A0 853 737 C 2ZZ	2	15.50
1995-98	4B0 853 737 D 2ZZ	2	11.55
"100"	92-94 4A9 853 741 2ZZ	2	8.45
"A"	4D0 853 741 2ZZ	2	4.10
"6"	4B0 853 741 C 2ZZ	2	8.45
"CS"	92-94 8A0 853 745 B 2ZZ	2	11.55
"2.8"	95-98 8A0 853 743 F 2ZZ	2	11.55
<b>Trim, License Plate</b>			
<b>4 Spoiler (P)</b>			
(P) Paint to Match			
5 Seal, Spoiler	4A9 827 971		d13.75
6 Gasket, Spoiler	R/L 4A9 827 979 B		2.45
7 Cap	R/L 4A9 827 277		d2.20
8 Moulding/Handle	4A9 827 565 E 01C		95.90
9 Cylinder, Lock	92-95		
1992-95	4A9 862 065	.6	75.40
1996-98	4A9 862 065 B	.6	73.35
10 Rod, Connecting	4A9 827 541		13.40
11 Latch	R 4A9 827 505 C	.3	56.50
	L 4A9 827 506 C	.3	75.80
12 Striker	R 4A9 827 518 B	.2	25.15
	L 4A9 827 517 B	.2	25.15
13 Cover, Striker	R/L 4A9 827 563 A 01C		2.55
14 Rod, Actuator	R/L 4A9 827 591		6.10
15 Actuator, Pwr Lock			
1992-94	4A9 862 153 A		38.15
1995-98	4A9 862 153 A		38.15
16 Clip	893 837 821 A	.73	7.00
17 Lever, Inside	4A9 827 653 01C		70.70
*Vehicles w/Child Seat			
18 Strut, Support	R/L 4A9 827 552		52.05
19 Ball Stud, Upper	R/L 533 827 345 C		5.55
20 Ball Stud, Lower	R/L 533 827 345 C		5.55
21 Hinge			
From VIN R023870	R/L 4A9 827 299 D	#.3	43.80
From VIN R023871	R/L 4A9 827 299 D	#.3	43.80
*W/Lid Removed, R&R Both .5			
22 Cap, Hinge			
To VIN P013076	R N 038 501 2		.67
	L 4A9 827 279 A		11.90
From VIN P013077	R 4A9 827 280 C		12.30
	L 4A9 827 279 C		12.30
23 Weatherstrip	4A9 827 705 D	.3	129.45
24 Deflector, Water	R/L 4A9 827 430-29		4.30

**INTERIOR TRIM**

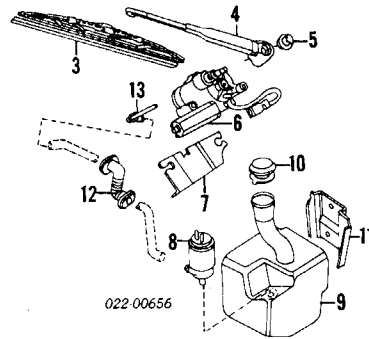


1 Panel, Window Frame Upper	4A9 867 975 A SWK	.2	60.55
2 Panel, Window Frame Side	R 4A9 867 978 SWK	.2	82.85
	L 4A9 867 977 SWK	.2	82.85
3 Clip, Upper/Lower (a)	823 867 299		1.16
(a) As Required			
4 Panel, Trim Lower			
w/Child Seat			
To 11-94	4A9 867 979 B BGF	.4	d697.00
From 12-94	4A9 867 979 F BGF	.4	698.00
w/o Child Seat			
To 11-94	4A9 867 979 A BGG	.3	d177.90
From 12-94	4A9 867 979 E BGF	.3	457.65
*Gray listed, Order by Application			
5 Moulding, Grip	4A9 867 967 9XB		38.75

**GLASS & PARTS**



1 Glass, Liftgate			
Audi (Heated)			
Tint			
w/Quattro Inscription	4A9 845 501 DA	2.5	355.05
w/o Quattro Inscription	4A9 845 501 DA	2.5	355.05
NAGS (Heated/Green)			
w/Wiper	FB04727GTJ	2.5	1254.30
w/o Wiper	FB04844GTJ	2.5	913.10
2 Seal, Lower	AKL 448 030 05		49.45
*Cut to Fit			
Adhesive Set, Glass (Metal)	D 000 703 A1		8.00
Wire, Cutting	357 845 955		97.40
*For Removal of Glass			
Sealant, 1K Adhesive	DH 009 100 03		22.80
Sealant, Polyurethane	AKD 476 KD5 05		12.50



3 Blade, Wiper	1H0 955 427	.1	7.70
4 Arm, Wiper	4A9 955 407 03C	#.2	40.65
*Includes R&R Wiper Blade			
5 Cap, Arm	8D9 955 205		2.15
6 Motor, Wiper	8A9 955 713	.6	218.95
7 Bracket, Motor	4A9 955 725		5.60
8 Pump, Washer	431 955 651	#.5	53.60
9 Reservoir, Washer	4A9 955 453	#.5	54.15
*R&R Complete			
10 Cap, Filler	8D0 955 455		3.55
11 Bracket, Reservoir	4A0 955 457		11.65
12 Grommet	4A9 971 840 A		8.15
13 Nozzle, Washer	8A9 955 985		9.15

**REAR SUSPENSION**

Use Procedure Explanation 23 with the following text.

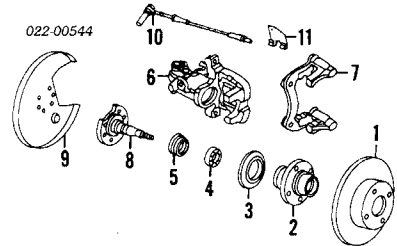
**FWD**

R&I Rear Suspension Assy.....	m 2.5
Check Rear Alignment.....	m .8
Add to Adjust Front Alignment.....	m .5

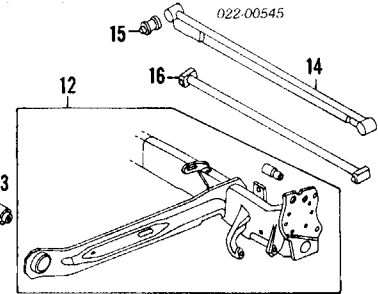
**Bleed Brake System**

w/ABS.....	m .4
w/o ABS.....	m .3

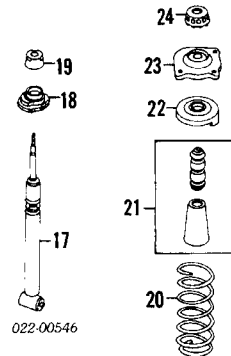
NOTE: R&I/R&R Does Not include alignment or bleed brake system.



1 Rotor, Brake	R/L 4A0 615 601 A	m #.7	72.60
*R&R Both Sides 1.2			
2 Hub, Rotor	R/L 4A0 501 653 C	m #1.5	293.35
3 Ring, ABS Sensor	R/L 443 614 149 A	m #1.5	21.50
4 Bearing, Outer	R/L 211 405 645 D	m #1.5	13.85
Bearing, Inner	R/L 311 405 625 F	m #1.5	28.05
5 Seal, Wheel	92-94 R/L 357 501 641 B	m #1.5	4.10
	95-97 R/L 8A0 501 641 A	m #1.5	2.15
*R&R One Side Complete, Includes R&R Rotor, R&R Both Sides 2.6			
6 Caliper, Brake	92-94 R 443 615 424 AX	m #.5	R273.95
	L 443 615 423 AX	m #.5	R273.95
	95-97 R/L 4A0 615 424-3	m #.5	399.55
	R/L 4A0 615 425 B	m #.5	99.05
7 Carrier, Caliper			
*R&R One Side Complete, w/Rotor Removed .2, R&R Both Sides .8			
Hose, Brake	R/L 8D0 611 775 D	m #.3	37.15
*w/Caliper Removed .1			
8 Axle, Stub	R/L 4A0 501 117 A	m #1.8	195.65
9 Shield, Splash	R 443 615 612 B	m #1.8	21.05
	L 443 615 611 B	m #1.8	21.05
*R&R One Side Complete			
10 Sensor, ABS-See ABS/Brakes Section			
11 Bracket, Sensor-See ABS/Brakes Section			



12 Beam, Axle	4A0 500 047	m #3.2	663.00
13 Bushing, Inner	R/L 4A0 511 247	m #3.2	28.70
*R&R Complete			
14 Bar, Track	4A0 505 175	m #.9	86.55
15 Bushing, Bar	R/L 431 505 172	m #.9	8.45
*R&R Complete			
16 Bar, Stabilizer	4A0 511 407	m .8	162.25



17 Absorber, Shock			
Sedan	R/L 4A0 513 031	m #1.7	138.60
Wagon	R/L 4A9 513 031 B	m #1.7	151.35
18 Seat, Spring Lower	R/L 443 512 103	m #1.7	19.85
19 Cap, Protective	R/L 443 512 127	m #1.7	1.80
20 Spring, Coil			
Sedan	R/L 4A5 511 115 AA	m #1.7	173.90
Wagon	R/L 4A9 511 115 AB	m #1.7	194.35
*Order by Application			
21 Stop, Rubber	R/L 4A0 512 129	m #1.7	23.15
22 Ring, Damping	R/L 443 511 297 B	m #1.7	8.05
23 Seat, Spring Upper	R/L 443 512 113	m #1.7	31.70
24 Ring, Bearing	R/L 4A0 512 129	m #1.7	23.15
*R&R One Side Complete, R&R Both Sides 3.2			

# AUDI 100/A6/S4/S6 1992-98

## REAR SUSPENSION Cont'd

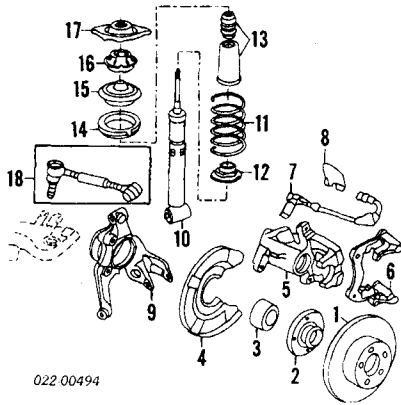
### AWD

R&I Suspension Assy	m	3.0
O/H Suspension (Includes R&I)	R/Lm	3.7
One Side		
Both Sides	m	7.2
Adjust Four Wheel Alignment	m	1.8
Adjust Rear Alignment	m	1.3
Bleed Brake System		
w/ABS	m	4
w/o ABS	m	3

NOTE 1: R&I/R&R or O/H Does Not include alignment or bleed brake system.

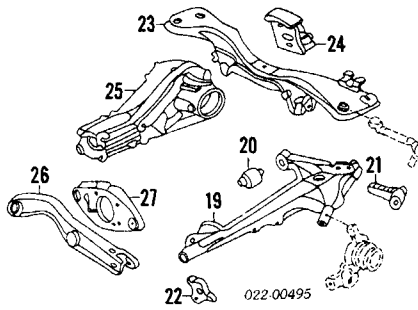
NOTE 2: Refer to Special Cautions Section at the beginning of this vehicle text.

NOTE 3: All Parts in this section are included in overhaul unless noted otherwise.



022 00494

1 Rotor, Brake	R/L	857 615 601	m	#7	115.90
5 Cyl					
6 Cyl	R/L	4A0 615 601 A	m	#7	72.60
<b>#R&amp;R Both Sides 1.2</b>					
2 Hub, Wheel	R/L	441 501 653 B	m	#1.5	300.35
5 Cyl					
6 Cyl	R/L	4A0 501 653 D	m	#1.5	293.35
3 Bearing, Wheel	R/L	443 498 625 F	m	#1.5	125.80
4 Shield, Splash	R/L	441 615 611 A	m	#1.5	31.65
5 Cyl					
6 Cyl	R/L	443 615 611	m	#1.5	21.05
<b>#R&amp;R One Side Complete, Includes R&amp;R Brake Rotor, R&amp;R Both Sides 2.6</b>					
5 Caliper, Brake	R/L	447 615 424-3	m	#5	828.00
5 Cyl					
6 Cyl	R	853 615 424 AX	m	#5	R273.95
	L	853 615 423 AX	m	#5	R273.95
6 Carrier, Caliper	R/L	447 615 425 B	m	#5	181.50
5 Cyl					
6 Cyl	R/L	443 615 425 B	m	#5	99.05
<b>#R&amp;R Complete, w/Rotor Removed, 2, R&amp;R Both Sides .8</b>					
Hose, Brake	R/L	4A0 611 775	m	#3	34.70
<b>#w/Caliper Removed .1</b>					
7 Sensor, ABS-See ABS/Brakes Section					
8 Brkt, Sensor-See ABS/Brakes Section					
9 Knuckle	R	4A0 505 432 A	m	#1.8	805.00
	L	4A0 505 431 A	m	#1.8	805.00
<b>#Includes R&amp;R Brake Rotor, Hub, Bearings &amp; Splash Shield</b>					
10 Absorber, Shock					
Sedan	R/L	4A5 513 031 A	m	#1.7	222.35
5 Cyl					
6 Cyl	R/L	4A5 513 031	m	#1.7	222.35
Wagon					
5 Cyl	R/L	4A9 513 031 D	m	#1.7	300.30
6 Cyl	R/L	4A9 513 031 C	m	#1.7	302.80
11 Spring, Coil	R/L	4A5 511 115 S	m	#1.7	74.55
<b>#Order by Application</b>					
12 Seat, Spring Lower	R/L	443 512 103	m	#1.7	19.85
13 Stop, Rubber					
5 Cyl	R/L	441 512 129	m	#1.7	31.00
6 Cyl					
Sedan	R/L	443 512 129 B	m	#1.7	20.05
Wagon	R/L	4A9 512 129	m	#1.7	23.15
14 Ring, Damping					
5 Cyl	R/L	441 512 297	m	#1.7	7.40
6 Cyl	R	443 511 298 A	m	#1.7	12.20
	L	443 511 297 E	m	#1.7	12.20
15 Seat, Spring Upper					
5 Cyl	R/L	441 512 107 A	m	#1.7	17.00
16 Ring, Bearing	R/L	441 512 331	m	#1.7	70.55
17 Seat, Spring Upper					
5 Cyl	R/L	441 512 107 A	m	#1.7	17.00
6 Cyl	R/L	443 512 113	m	#1.7	31.70
<b>#R&amp;R One Side Complete, R&amp;R Both Sides 3.2</b>					
18 Arm, Upper Control	R	443 505 352 P	m	#6	188.60
	L	443 505 351 P	m	#6	188.60
Bar, Stabilizer	R/L	4A0 511 409 B	m	#8	227.20
Link, Stabilizer	R/L	4A0 505 389	m	#8	74.75
<b>#R&amp;R Complete, Not Included in O/H</b>					

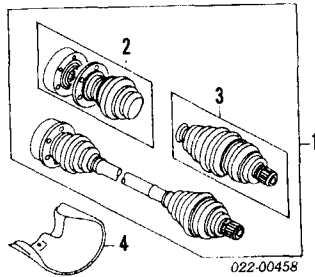


19 Arm Assy, Lower Control	R	4A0 511 512 B	m	#1.5	656.00
	L	4A0 511 511 B	m	#1.5	656.00
<b>#R&amp;R Both Sides 2.2</b>					
20 Bushing, Arm	R/L	4D0 511 523 C	m	#3	65.05
<b>#Included w/Lower Control Arm Assy</b>					
<b>#w/Control Arm Removed</b>					
21 Bracket, Toe Adjust	R	443 511 224 C	m		326.80
	L	443 511 223 C	m		326.80
22 Support w/Bushing	R	4A0 511 330 A	m		232.35
	L	4A0 511 329 A	m		232.35
23 Crossmember					
w/Rear Stabilizer		4A0 505 099 E	m	#3.5	1138.00
w/o Rear Stabilizer		441 505 099 A	m	#3.5	1184.00
24 Mount, Crossmember		443 599 125	m	#	89.50
25 Housing, Drive Axle		017 525 053 F	m	#2.2	1532.00
<b>#Order by Application</b>					
26 Mount, Differential Front					
5 Cyl		441 505 120 A	m	#	263.40
6 Cyl		443 505 120 A	m	#	261.30
27 Mount, Differential Rear		441 505 127	m	#	d168.55
<b>#Not Included in O/H</b>					

### REAR DRIVE AXLE

R&I Axle Shaft Assy	R/Lm	#1.8
---------------------	------	------

**#w/Knuckle Removed Deduct 1.5**



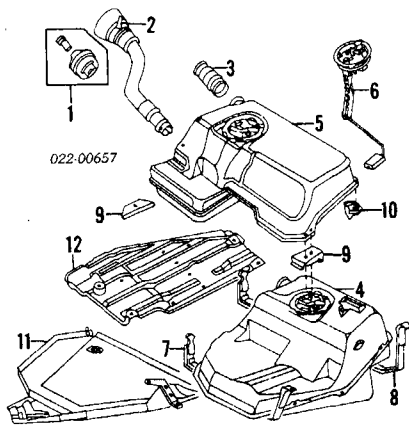
022-00458

1 Shaft Assy, Axle	R/L	4A0 501 203 B	m	#1.8	580.00
2 Joint, CV Inner	R/L	431 498 103 C	m	#2.5	185.35
3 Shaft w/Joint, Outer	R/L	443 498 099 CX	m	#2.5	R260.45
<b>#Included w/Axle Shaft Assy</b>					
<b>#w/Knuckle Removed Deduct 1.5</b>					
4 Shield		443 501 719 A			46.65

### FUEL TANK

R&I Fuel Tank		3.0
---------------	--	-----

NOTE: R&R Does Not include drain and refill.



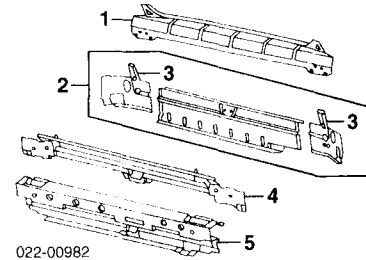
1 Cap, Filler		1J0 201 553 A			10.85
<b>#Order by Application</b>					
2 Pipe, Filler (a)					
1992-95		4A0 201 129			130.00
1996-97		4A0 201 129 G			125.05
1998					

A6 Wagon	4A0 201 129 G			125.05
<b>(a) Requires Unleaded Fuel Insert</b>				
Insert, Unleaded Fuel	443 201 115 A			d9.60
3 Hose, Filler	4A0 201 143			53.60
4 Tank, Fuel				
4 FWD				
w/Aux Heater	443 201 075 AL	m	3.2	664.00
w/o Aux Heater	4A0 201 075 K	m	3.2	634.00
5 AWD	4A0 201 075 L	m	3.2	885.00
6 Gauge, Tank Unit				
FWD	443 919 049 T	m	#2.2	207.85
AWD	4A0 919 045 H	m	#2.2	91.00
Pump, Fuel	8A0 906 091 G	m	#2.4	155.95
<b>#Included in R&amp;R Fuel Tank</b>				
7 Strap, Front Mounting				
FWD	443 201 651 D			73.75
8 Strap, Rear Mounting				
FWD	443 201 652 E			73.75
9 Bracket, Front Mounting				
AWD				
Right	443 201 247 A			6.55
Left				
5 Cyl	441 803 781			d49.40
6 Cyl	443 803 781 B			53.60
10 Bracket, Rear Mounting				
AWD	R/L 443 201 248 A			6.55
11 Plate, Protection				
FWD	443 201 307			64.45
12 AWD	4A0 018 957			104.65

### REAR BODY

Use Procedure Explanations 26 and 28 with the following text.

Refinish Lower Panel				
Sedan				1.5
Wagon				1.2
Add to Edge Panel				.5



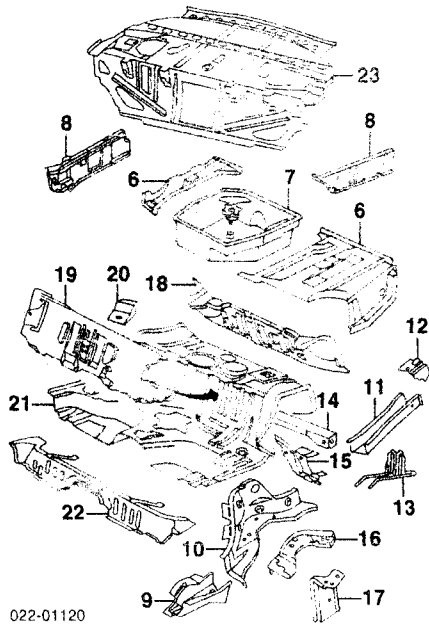
022-00982

1 Panel, Lower Outer				
Sedan	4A5 813 301	#6.5		157.50
<b>#Deduct 1.5 for Each Quarter Panel Removed, Deduction Includes Common Surfaces &amp; Included Operations</b>				
2 Panel Assy, Inner				
Sedan	4A5 813 296 A	#4.5		186.60
<b>#w/Outer Panel Removed, Deduct 1.0 for Each Quarter Panel Removed</b>				
3 Reinf, Lamp	R	4A5 809 614 A	1.5	65.40
	L	4A5 809 613 A	1.5	65.40
<b>#Included w/Sedan Inner Panel Assy</b>				
4 Panel, Lower Outer				
Wagon	4A9 813 301	#6.5		157.50
<b>#Deduct 1.5 for Each Quarter Panel Removed, Deduction Includes Common Surfaces &amp; Included Operations</b>				
5 Panel, Lower Inner				
Wagon	4A9 813 295	#8.5		186.60
<b>#Includes Lower Outer Panel</b>				

Illustration Located in Next Column

6 Pan, Rear Floor				
100 Series, A6	R/L	4A0 803 096-5	5.0	155.90
S4, S6	R	4A0 803 096	5.0	155.90
	L	4A0 803 095 A	5.0	155.90
7 Well, Spare Wheel				
1992-94				
100 Series				
S4	4A9 803 265 C	#3.5		389.60
1995	4A9 803 265 D	#3.5		389.60
1996-97	4A9 803 265 E	#3.5		389.60
A6	4A9 803 265 E	#3.5		389.60
S6	4A9 803 265 D	#3.5		389.60
1998				
A6 Wagon	4A9 803 265 E	#3.5		389.60
<b>#Add for Urethane Material</b>				
8 Bracket, 3rd Seat Support				
Wagon	R	4A9 803 848		157.30
	L	4A9 803 847		193.50
9 Sidemember, Front				
FWD	R/L	4A0 803 406-5	s	3.5
AWD	R	4A0 803 406 A	s	3.5
	L	4A0 803 405 A	s	3.5
10 Sidemember, Wheelhouse				
FWD	R	4A0 803 352 B	s	3.5
	L	4A0 803 351 A	s	3.5
AWD	R	4A0 803 406 A	s	3.5

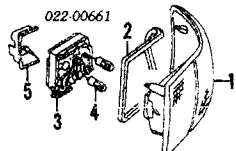
NOTE: All Parts in this section are included in overhaul unless noted otherwise.



11 Side member, Rear FWD	R 4A1 803 652 A	s	3.5	174.65
	L 4A1 803 651 A	s	3.5	170.00
	L 4A1 803 651 A	s	3.5	131.25
AWD	R 4A0 803 652 B	s	3.5	170.00
	L 4A0 803 651 B	s	3.5	131.25
12 Mount, Absorber FWD	R/L 4A1 803 691 A			45.60
AWD	R/L 4A0 803 691 D			45.60
13 Hook, Tow	4A0 804 387		1.0	54.00
14 Rod, Panhard FWD	443 803 540 B	m	.6	76.60
15 Bracket, Rod 1992-94	R 443 803 551 B			77.70
	L 443 803 353 A			42.20
1995-97	R 4A0 803 551			75.45
	L 443 803 353 A			42.20
1998 A6 Wagon	R 4A0 803 551			75.45
	L 443 803 353 A			42.20
16 Mount, Crossmember AWD	R 4A0 804 222 A			157.60
	L 4A0 804 221 A			152.90
17 Brkt, Brake Regulator Reinf, Cross Wagon	4A0 803 887			19.30
18 FWD	4A9 803 069			253.40
19 AWD	4A9 803 069 A			250.15
20 Reinf, Rear	R 443 803 891 D			24.55
	L 443 803 891 E			41.95
	4A0 804 084			687.00
21 Pen, Floor Front				
22 Support, Rear Seat 1992-93	4A0 803 231			151.25
1994-97	4A0 803 231 C			101.20
1998 A6 Wagon	4A0 803 231 C			101.20
23 Panel, Rear Shelf Sedan	92-95 4A5 813 111			536.00
	96-97 4A5 813 111 A			515.00

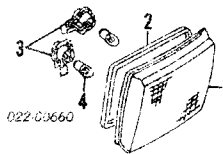
**REAR LAMPS**

**COMBINATION LAMP ON QUARTER PANEL**



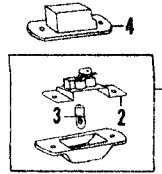
1 Lens & Housing Sedan	R 4A5 945 218 A	.5	122.00
	L 4A5 945 217 A	.5	122.00
Wagon	R 4A9 945 218 A	.5	155.85
	L 4A9 945 217 A	.5	155.85
2 Gasket, Lamp†	AKD 497 010 04 R10		33.25
†Sold in 10 Meter Roll, Cut to Fit			
3 Holder, Bulb	R/L 4A0 945 222-1		19.80
4 Bulb (2/Side)	R/L N 017 738 2	2	2.10
5 Retainer, Lamp	R/L 4A0 945 568-7		14.05

**COMBINATION LAMP ON DECK LID**



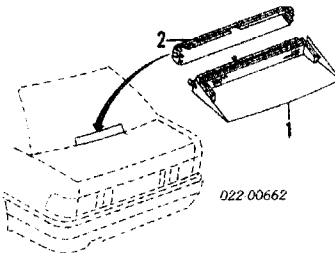
1 Lens & Housing	R 4A0 945 224 B	.5	132.40
	L 4A0 945 223 B	.5	132.40
2 Gasket, Lamp†	AKD 497 010 04 R10		33.25
†Sold in 10 Meter Roll, Cut to Fit			
3 Socket, Bulb			
Outer	R/L 893 945 265		5.40
Inner	R/L 893 945 265 B		7.25
4 Bulb	R/L N 017 732 2		1.70

**LICENSE LAMP**



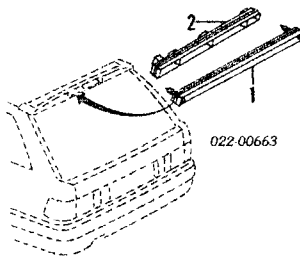
1 Lamp Assy	R/L 4A0 943 021	.3	19.50
2 Socket, Bulb†	R/L 481 943 117		7.25
3 Bulb†	R/L N 017 717 2	.2	1.50
†Included w/ Lamp Assy			
4 Gasket, Mount	R/L 443 943 191		2.90

**HIGH MOUNT STOP LAMP SEDAN**



1 Lamp†	4A5 945 122	.4	73.90
†Mounted on Back Glass			
2 Housing	4A5 945 121 01C		18.85
Socket, Bulb	893 945 265 A		1.80
Bulb (10)	92-95 N 903 605 01		.86
	96-97 N 900 510 02		1.50

**HIGH MOUNT STOP LAMP WAGON**

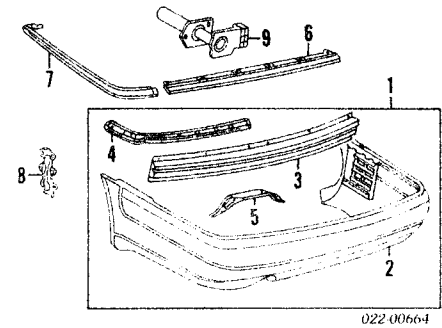


1 Lens, Lamp†	4A9 945 122	.3	56.85
†Mounted on Liftgate Spoiler			
2 Housing	4A9 945 121		44.85
Bulb			
1992-95	N 903 605 01		.86
1996-98	N 900 510 02		1.50

**REAR BUMPER**

Use Procedure Explanations 27 and 28 with the following text.

Refinish Rear Cover.....	1.4
Refinish Mouldings Complete.....	1.0
Refinish Center Moulding.....	.4
Refinish Outer Moulding.....	.4
R&I Bumper Assy.....	.6
O/H Bumper Assy (Includes R&I).....	1.5



1 Bumper Assy (P) 100 Series, S4	92-94 4A0 807 301 B GRU	1.5	605.00
A6			
1995-97	4A0 807 301 AC GRU	1.5	605.00
1998 Wagon	4A0 807 301 AC GRU	1.5	605.00
S6	4A0 807 301 AC GRU	1.5	605.00
2 Cover, Rear† (P) 100 Series, S4	92-94 4A0 807 305 GRU	1.5	567.00
A6			
1995-97	4A0 807 305 BB GRU	1.5	544.00
1998 Wagon	4A0 807 305 BB GRU	1.5	544.00
S6	4A0 807 305 BB GRU	1.5	544.00
(P) Paint to Match			
3 Bar, Reinf† Serviced w/Bumper Assy			
4 Support, Bumper†	R/L 4A0 807 386-5	IOH	49.65
5 Deflector, Heat†	4A0 807 515		26.85
†Included w/Bumper Assy			
6 Moulding, Cover Center (P)			
Sedan	4A5 807 443 GRU	#.3	164.60
Wagon	4A9 807 443 A GRU	#.3	390.85
7 Moulding, Cover Outer (P)	R 4A0 807 460 GRU	#.3	77.55
	L 4A0 807 459 GRU	#.3	72.60
(P) Paint to Match			
†w/Bumper Assy Removed, R&R Complete .5, Not Included in O/H			
8 Bracket, Cover	R/L 4A0 807 253 C	IOH	4.25
9 Absorber, Impact	R/L 4A0 807 378-7	#.3	174.75
†w/Bumper Assy Removed, Not Included in O/H			