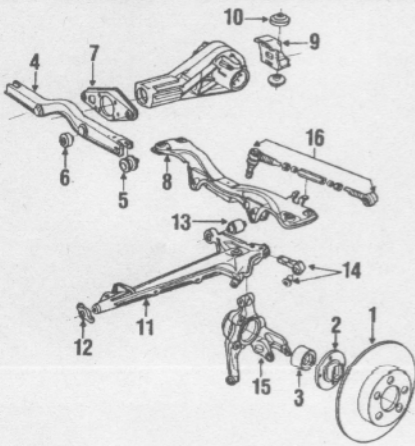


PARTS AND R&R OPERATIONS

FUEL SYSTEM COMPONENTS

614	1 Fuel tank mount bracket	90-94	539.00	m3.5	4A0 201 075 A
917	5 front	90-94R	5.60		443 201 248 A
918	6	90-94L	44.25		441 803 781
919	7 rear	90-94	5.60		443 201 247 A
915	2 Filler pipe	90-94	169.30	m1.5	443 201 129 AD
615	3 Filler cap	90-94	40.70		893 201 551 D
916	4 Filler neck	90-94	12.15		443 201 143 E
616	8 Vapor canister	90-94	141.95	m0.4	441 201 801
920	9 Gauge	90-94	227.65		443 919 049 AA
617	10 Fuel pump	90-91	339.00	m1.7	441 906 091 B
1250		92-94	315.40	m1.7	441 906 091 E
1094	Float valve	90-94	23.00		443 201 753 B
618	11 Fuel filter	90-94	56.35	m0.4	441 201 511 C
921	12 Skid plate	90-94	94.40		441 018 957 D

REAR SUSPENSION



ADD IF REQUIRED

1278	Wheel alignment align rear wheels	90-94	m1.3
1279	align four wheels	90-94	m2.6
<b>OVERHAUL OPERATIONS</b>			
1280	O/H suspension one side	90-94B	m2.5
1281	both sides	90-94	m4.8
<b>R&amp;I OPERATIONS</b>			
1277	R&I suspension one side	90-94B	m1.5
1290	both sides	90-94	m2.8

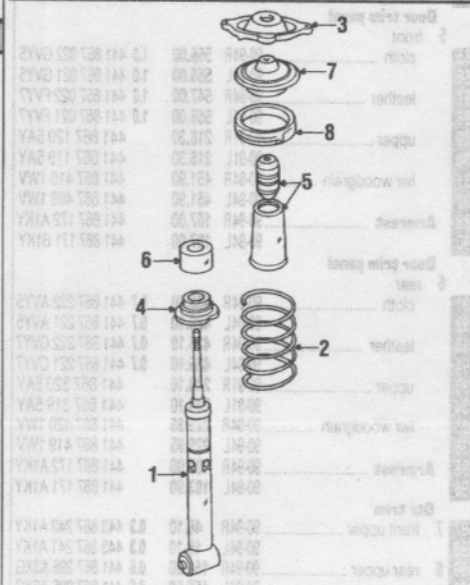
PARTS AND R&R OPERATIONS

REAR SUSPENSION

620	Caliper	90-91R	432.35	m1.0	853 615 424
621		90-91L	432.35	m1.0	853 615 423
1252		92-94R	687.00	m1.0	447 615 423
1253		92-94L	687.00	m1.0	447 615 424
622	Adapter	90-91	99.80	m0.8	443 615 425 A
1254		92-94	192.15	m0.8	447 615 425
623	Dust seal	90-94	26.15		441 615 611 A
624	Brake hose	90-91	48.85	m0.6	443 611 775 F
1255		92-94	44.65	m0.6	4A0 611 775
922	ABS sensor bracket	90-94	347.05	m0.8	4A0 927 807 A
923		90-94R	4.30		443 971 846
924		90-94L	4.30		443 971 845 C
625	1 Rotor	90-94B	127.05	m1.0	857 615 601
626	2 Hub	90-94B	247.95	m1.0	441 501 653 B
627	3 Bearing	90-94	241.15		443 498 625 F
632	3 Rear crossmember	90-94	979.00	#s 25	441 505 099 A
633	9 Rear support	90-94	50.90		443 525 325 B
634	10 Insulator	90-91	30.35		183 199 381 A
1256		92-94	233.95		441 199 381 E
925	Differential	90-94	3615.00	†	017 500 043 K
628	4 Mount c'member bearing pivot	90-94	394.40	#s 2.0	441 505 120 A
629	5 outer	90-94	12.85		443 511 277 B
630	6 inner	90-94	15.35		443 505 145 A
631	7 support	90-94	146.60		441 505 127
635	11 Trailing arm	90-94R	692.00	m2.5	441 511 512
636		90-94L	692.00	m2.5	441 511 511
637	12 support	90-91R	253.25		443 511 330 A
926		90-91L	253.25		443 511 329 A

1257		92-94R	191.80		4A0 511 330 A
1258		92-94L	191.80		4A0 511 329 A
638	13 bearing	90-94	55.90		4D0 511 523 A
639	14 Adjuster	90-94R	269.75		443 511 224 C
640		90-94L	269.75		443 511 223 C
641	15 Knuckle	90-91R	752.00	m1.4	441 505 430
642		90-91L	595.00	m1.4	441 505 429
1388		92-94R	752.00	m1.4	441 505 430
1389		92-94L	595.00	m1.4	441 505 429
643	16 Tie rod Assy	90-94R	250.25	m0.8	443 505 352 P
644		90-94L	250.25	m0.8	443 505 351 P
<b>End</b>					
645	outer	90-94B	124.45	m0.5	443 505 153 B
646	inner	90-94R	127.75	m0.5	443 505 366 D
647		90-94L	127.75	m0.5	443 505 365 D

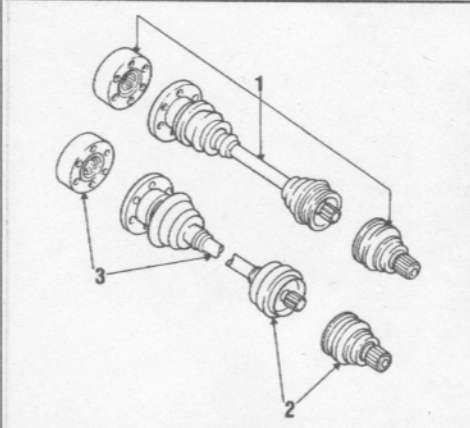
# After wheels & all necessary bolted on parts are removed.  
† Order by description.



REAR SUSPENSION

STRUT

648	1 Shock absorber	90-91B	250.00	m1.5	441 513 031 B
1390		92-94B	250.00	m1.5	4A5 513 031 A
649	2 Spring Seat	90-94B	182.90	m1.5	441 511 115 B952
650	3 upper	90-94R	25.90		441 512 348
651		90-94L	25.90		441 512 347
652	4 lower	90-94	16.40		443 512 103
653	5 Boot	90-94	25.65		441 512 129
654	6 Cap	90-94	1.70		443 512 127 A
655	7 Spacer	90-94	14.05		441 512 107 A
656	8 Damper	90-94	6.15		441 512 297
927	Bearing	90-94	58.25		441 512 331



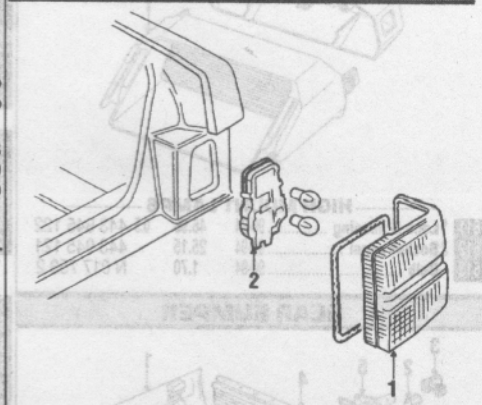
DRIVE SHAFT

657	1 Shaft Assy	90-94B	757.00	m2.0	441 501 203 C
<b>C.V. joint</b>					
658	2 outer	90		#m0.5	NOT LISTED
659	3 inner	90		#m0.5	NOT LISTED
<b>Boot</b>					
660	outer	90-94	43.50		441 498 203 C

661	inner	90-94	46.20		443 498 201 B
928	Shield	90-94	41.65		443 501 719 A

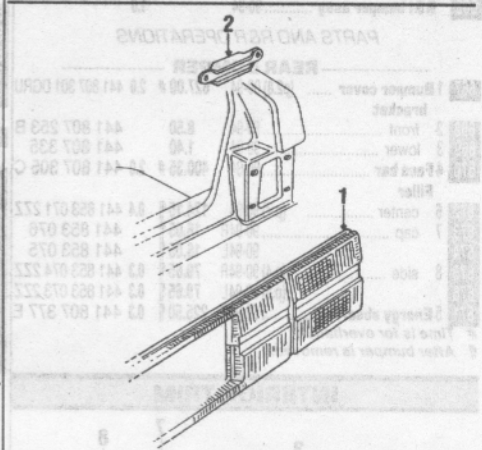
# After shaft is removed.

REAR LAMPS



PARTS AND R&R OPERATIONS

<b>TAIL LAMPS</b>					
558	1 Lens & housing	90-94R	173.75	0.4	441 945 218 C
559		90-94L	173.75	0.4	441 945 217 C
<b>Holder</b>					
560	2 bulb	90-94R	27.35		443 945 222
561		90-94L	27.35		443 945 221
905	gasket	90-94	27.50		AKD 497 010 04R 10
<b>Bulb</b>					
562	tail	90-94	1.80		N 017 718 5
563	side lamp	90-94	1.90		N 017 732 2
906	stop	90-94	1.90		N 017 732 2
<b>Relay</b>					
brake and taillight control					
1091		90-94	110.70		443 919 471 B
1092	Contact housing	90-94	1.90		443 972 994



BACKUP & TAIL LAMPS

581	1 Lens & housing	90-94B	387.70	1.0	441 945 225 D
908	gasket	90-94	27.50		AKD 497 010 04R 10
586	2 mount bracket	90-94	2.60		447 945 115
<b>Socket</b>					
582	2 pin	90-94	6.85		447 945 265 A
583	1 pin	90-94	6.05		893 945 265
<b>Bulb</b>					
584	2 pin	90-94	1.90		N 017 732 2
585	1 pin	90-94	2.00		N 017 738 2
909	Cap	90-94R	3.05		443 945 286
910		90-94L	3.05		443 945 285

CONTINUED

Please refer to the "GUIDE TO ESTIMATING" section of this Estimating Guide (pages 4 through 52) for a detailed explanation of the parts information and operation times listed above.