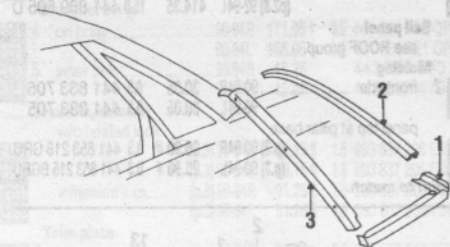


QUARTER PANEL (CONT)

537	5 seat belt	90-94R	28.30		443 809 302 A
538		90-94L	27.50		443 809 301 A
904	Pressure vent	90-94	26.10		443 819 185
1371	Horn				
	anti theft	90-94	24.65	0.4	191 951 113 A
539	Fuel door	(p.3) 90-94	34.85	0.3	443 809 905 A
1085	Spring	90-94	1.40		443 809 931
540	Pocket	90-94	4.60		443 809 974 A
1090	ring	90-94	1.70		811 809 929
1086	Drain hose	90-94	2.15		443 809 937 B
1087	grommet	90-94	.92		171 971 913
1088	retainer	90-94	1.20		443 809 948
	Wheelhouse				
541	6 outer	90-94R	145.75 #	3.0	441 809 412 D
542		90-94L	145.75 #	3.0	441 809 411 D
543	7 inner	90-94R	380.65 #	2.5	443 809 852 G
544		90-94L	380.65 #	2.5	443 809 851 G
545	8 splash shield	90-94R	53.70	0.5	441 810 172 A
546		90-94L	53.70	0.5	441 810 171 A
	Pillar				
547	9 outer	90-94R	81.35	3.5	443 809 240 C
548		90-94L	79.00	3.5	443 809 239 C
549	10 inner lower	90-94R	20.00	1.5	443 809 430 A
550		90-94L	20.00	1.5	443 809 429 A
551	11 Battery tray	90-91	122.65		441 803 945 A
1237		92-94	120.75		441 803 945 B
	bracket				
552	12 hold down	90-94	22.70		443 804 373 A
553	13 support	90-94	22.05		447 804 373 A
	Alarm				
1045	auxiliary horn	90-94	24.65	0.3	191 951 113 A
1046	plate	90-94	3.15		443 951 194
1047	spacer	90-94	6.00		893 953 249
1452	Alarm	90-94			SEE FOOTNOTE

† See ELECTRICAL group for part listing.

After quarter panel is removed.



GLASS

	Qtr glass				
554	AUDI	90-94R	103.60	2.0	443 845 302 A
555		90-94L	103.60	2.0	443 845 301 A
556	NAGS	90-94R	137.95	2.0	FQ2747GTN
557		90-94L	137.95	2.0	FQ2748GTN
	Glass molding				
894	1 belt	90-94R	52.00	0.3	443 853 346 D2ZZ
895		90-94L	52.00	0.3	443 853 345 D2ZZ
900	2 rear cover strip	90-94R	3.35		443 853 448
901		90-94L	3.35		443 853 447
896	3 front pillar	90-94R	18.60	0.3	443 853 378 C01C
897		90-94L	18.60	0.3	443 853 377 C01C
	retainer clip				
1048	belt molding	90-94	.73		443 853 150

TRUNK LID

REFINISHING NOTES

564 Refn underside 90-94 (p.13)

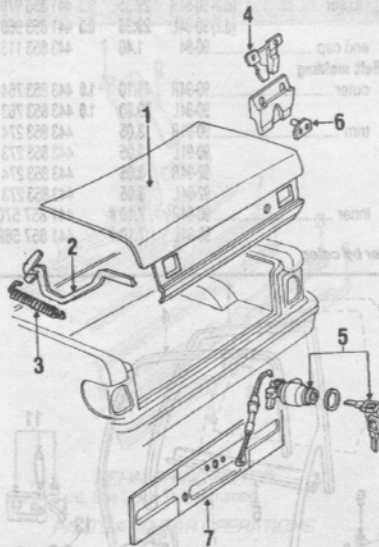
R&I OPERATIONS

567 R&I trunk lid 90-94 0.5

PARTS AND R&R OPERATIONS

TRUNK LID

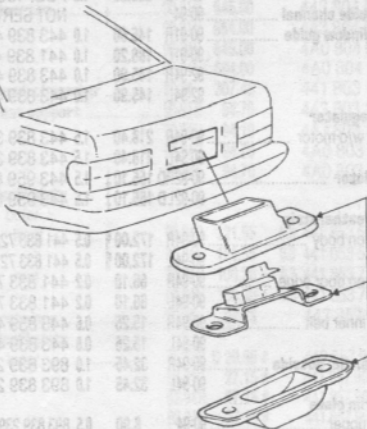
568	1 Lid	(p.2.5) 90-94	415.40	1.2	443 827 023 F
	Nameplate				
569	4 Rings	90-94	16.70	0.3	441 853 742 ZZZ
1372	"V"	90-94	8.50	0.3	8A0 853 739 ZZZ
1373	Quattro	90-94	18.65	0.3	8A0 853 737 CZZZ
1374	"8"	90-94	8.00	0.3	441 853 746 ZZZ
570	2 Hinge	(p.2) 90 R	101.15 #	0.5	443 827 300 D
571		(p.2) 90 L	34.15 #	0.5	443 827 299 D
1238		(p.2) 91-94R	98.20 #	0.5	441 827 300
1239		(p.2) 91-94L	98.20 #	0.5	441 827 299
1240	Support cylinder	92-94	67.55	0.3	441 827 551



572	3 Spring	90-94	7.20		443 827 511 B
573	4 Lock	90-94	19.05	0.6	893 827 505
574	Connector rod	90-94	11.05		443 827 541 D
575	Cover	90-94	2.70		443 827 563 A
576	Lock actuator	90-94	35.10	0.4	443 862 153 E
	5 Cylinder				
1376	w/o theft alarm	90-94	69.85	0.4	893 862 055
1377	w/theft alarm	90-94	134.60	0.4	893 862 055 C
907	Cap	90-94	15.45		443 827 262
578	6 Striker	90-94	4.35	0.2	893 827 507 A
579	Weatherstrip	90-94	71.15	0.8	443 827 705 B
580	7 License panel	90	96.75	0.8	443 853 465 A01C
1093	Luggage lamp	90-94	8.00	0.3	331 947 113
1049	Alarm switch	90-94	38.30	0.3	893 959 489 B
1050	housing	90-94	.92		893 971 992
1453	Alarm	90-94			SEE FOOTNOTE

† See ELECTRICAL group for part listing.

After lid is removed.



LICENSE LAMPS

587	1 Lamp assy	90-94	16.30	0.3	443 943 021 A
1378	gasket	90-94	2.45		443 943 191
	Holder				
588	bulb	90-94	6.05		481 943 117
589	Bulb	90-94	1.60		N 017 717 2

REAR BODY

REFINISHING NOTES

590 Refn interior side rear body panel 90-94 (p.9)

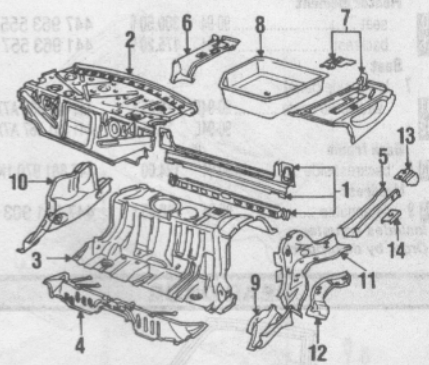
OVERLAP OPERATIONS

1295	R&R rear body panel with 1 qtr panel off	90-94	#	5.5	†
1296	with 2 qtr panels off	90-94	#	4.5	†

PARTS AND R&R OPERATIONS

REAR BODY & FLOOR

592	1 Panel assy	(p.1.8) 90-94	202.80 #	6.5	441 813 308 C
-----	--------------	---------------	----------	-----	---------------



593	2 Package tray	90-94	450.50		443 813 111 C
594	3 Rear floor pan	90-91	562.00 †	17.0	443 804 084 B
1379		92-94	569.00 †	17.0	4A0 804 084
595	4 Seat reinf	90-91	239.70		441 803 231 D
1242		92-94	239.70		441 803 231 D
596	5 Sidemember	90-94R	94.80		443 803 652 E
597		90-94L	94.80		443 803 651 E
911	Reinforcement	90-94R	66.10		441 803 732 A
912		90-94L	64.20		441 803 731
598	6 Floor extn	90-91R	127.75		443 803 098 B
599	7	90-91L	183.25		441 803 095
1267		92-94R	127.75		443 803 098 B
1243		92-94L	177.90		441 803 095 B
600	8 Spare housing	90-94	348.80		441 803 265 C
	Rear sidemember				
601	9 front	90-91R	98.80 †	7.5	443 803 406 H
602		90-91L	95.95 †	7.5	443 803 405 H
1244		92-94R	98.80 †	7.5	443 803 406 K
1245		92-94L	95.95 †	7.5	443 803 405 K
913	filler plate	90-94R	7.85		441 803 420
914		90-94L	7.65		441 803 419
603	10 center	90-91R	135.55 †	7.5	443 803 408 F
604	11	90-91L	135.55 †	7.5	443 803 407 F
1246		92-94R	148.50 †	7.5	443 803 408 H
1247		92-94L	144.20 †	7.5	4A0 803 407 A
605	12 Mount c'member	90-91R	109.90		441 804 222 B
606		90-91L	106.70		441 804 221 B
1248		92-94R	130.10		4A0 804 222 A
1249		92-94L	126.30		4A0 804 221 A
607	Jack pad	90-94R	57.50		443 804 614 A
608		90-94L	57.50		443 804 613 A
	Mount				
609	13 absorber	90-94	38.35 †	2.0	443 803 691 D
610	14 Reinforcement	90-94	7.70		443 803 873 A

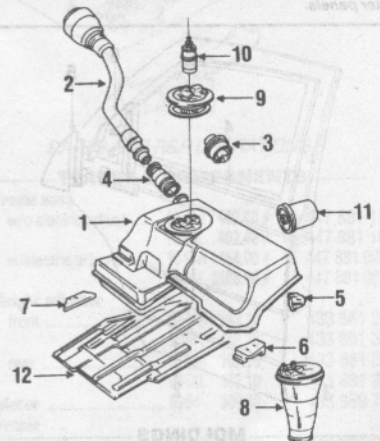
After bumper, tail lamps and all necessary bolted on parts are removed.

† After bumper, suspension, fuel tank and all necessary bolted on parts are removed, time is for front, center & rear as an assembly.

‡ After suspension, fuel tank and all necessary bolted on parts are removed.

† After bumper and all necessary bolted on parts are removed.

FUEL SYSTEM



1276	R&I fuel tank	90-94			m.32
------	---------------	-------	--	--	------