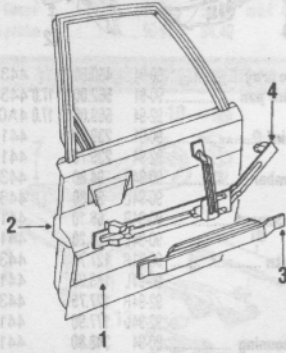


Heater element			
880	seat	90-94	300.50
881	backrest	90-94	175.20
Seat			
1041	7 lower side panel	90-94R	19.35
1042	w/electric seats	90-94L	19.95
Back frame			
1043	8 backrest side	90-94	124.00
Headrest			
1044	9 detachable	90-94	218.85

Includes adjuster.
† Order by description.

REAR DOOR



Except Door Shell or Door Inner Panel R&R, all operation times in this group are after door trim panel is removed.

REFINISHING NOTES

Add for stone guard. See Guide To Estimating.

466	Refn outer panel	90-94	(p2.5)
1395	Refn edges	90-94	(p.5)

OVERLAP OPERATIONS

1292	R&R shell & inner pnl	90-94	7.0
------	-----------------------	-------	-----

R&I OPERATIONS

469	R&I door assy	90-94B	1.2
470	R&I trim panel	90-94B	0.7

PARTS AND R&R OPERATIONS

DOOR & COMPONENTS

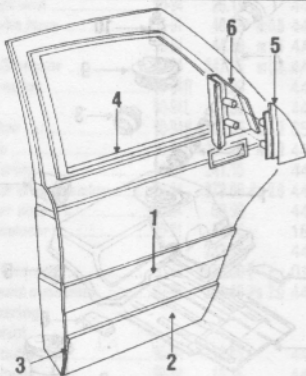
471	1 outer shell	(p5.1) 90-94R	532.00	# 5.0	441 833 052 C
472		(p5.1) 90-94L	532.00	# 5.0	441 833 051 C
473	2 inner panel	90-94R	622.00	† 4.5	443 839 754 CV7A
474		90-94L	622.00	† 4.5	443 839 753 CV7A
475	3 impact bar	90-94R	118.00		443 833 516 B
476		90-94L	118.00		443 833 515 B

Mount bracket

477	4 armrest	90-94R	39.85		443 839 952
478		90-94L	38.70		443 839 951

† Includes inner side door shell. Both outer & inner door shells are required to make-up complete door shell assembly. For complete refinish time see door outer shell.

Includes outer door shell & hinges. Both outer & inner door shells are required to make-up complete door shell assembly. Refinish time is for complete door, inner and outer panels.

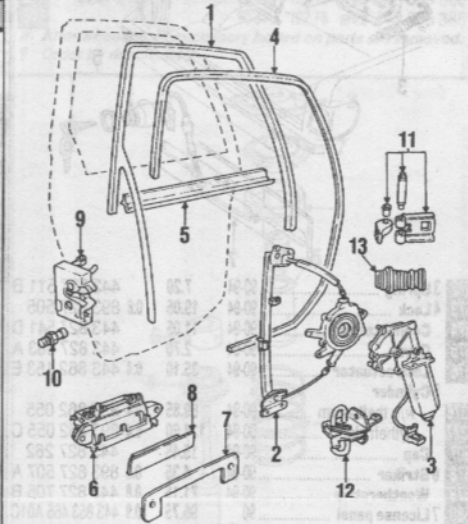


MOLDINGS

Molding exterior			
479	1 upper	(d.2) 90-94R	114.70
480		(d.2) 90-94L	114.70

481	2 lower	(d.2) 90-94R	29.35
482		(d.2) 90-94L	29.35
483	3 end cap	90-94	1.40
Belt molding			
484	4 outer	90-94R	41.10
485		90-94L	39.90
486	5 trim	90-91R	3.05
487		90-91L	3.05
1226		92-94R	3.05
1227		92-94L	3.05
488	6 inner	90-94R	7.10 #
489		90-94L	7.10 #

Order by color.



GLASS & HARDWARE

Glass			
490	AUDI	90-94R	290.40
491		90-94L	290.40
492	NAGS	90-94R	230.25
493		90-94L	230.25
1436	Guide channel	90-94	NOT SERVICED
1436	1 Window guide	90-91R	145.90
494		90-91L	188.20
495		92-94R	145.90
1228		92-94L	145.90
1229		92-94L	145.90

Regulator			
496	2 w/o motor	90-94R	218.40
497		90-94L	218.40
498	3 Motor	90-92PD	155.10 †
499		90-92LD	155.10 †

Weatherstrip			
500	4 on body	90-94R	172.00
501		90-94L	172.00
502	on door edge	90-94R	66.10
503		90-94L	66.10
504	5 inner belt	90-94R	15.25
505		90-94L	15.25
506	6 Handle, outside	90-94R	32.45
507		90-94L	32.45

Trim plate			
508	7 upper	90-94	8.90
509	8 lower	90-94	7.05
739	inside	90-94R	26.25
740		90-94L	26.25

Cable			
882		90-94R	11.75
883		90-94L	11.75
884	Lock lever	90-94R	3.40
885		90-94L	3.40
886	Lock rod	90-94	2.70

Lock			
512	9 Lock	90-94R	69.60
513		90-94L	69.60
887	gasket	90-94R	4.25
888		90-94L	4.25

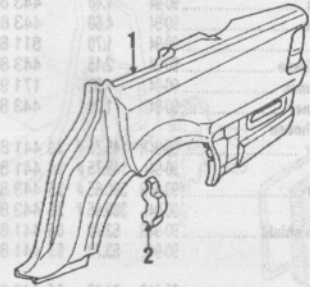
Cover			
889		90-94R	4.50
890		90-94L	4.50
514	Lock actuator	90-94	32.25
891	bracket	90-94	2.60
892	Rod	90-94R	2.55
893		90-94L	2.55

Striker			
515	10 Striker	90-94B	2.95
516	11 Hinge assy	(p.3) 90-94B	36.95 #
517	pin	90-94	3.05
518	bushing	90-94	2.55

519	12 Check arm	90-94	21.35
520	13 Boot	90-94	4.70

After door is removed.
† Order by color.
‡ 1993 serviced with regulator.
† Part of inner panel.

QUARTER PANEL



REFINISHING NOTES

Add for stone guard. See Guide To Estimating.

1396	Refn outer surface	90-94	(p2.0)
1397	Refn edges & pockets	90-94	(p.3)
1398	Refn lock pillar	90-94	(p.5)

OVERLAP OPERATIONS

R&R quarter panel			
523	with roof off	90-94R	11.5
524		90-94L	11.0

PARTS AND R&R OPERATIONS

OUTER COMPONENTS

525	1 Outer panel	(p2.8) 90-91R	414.35
526		(p2.8) 90-91L	414.35
1235		(p2.8) 92-94R	414.35
1236		(p2.8) 92-94L	414.35

Sail panel

see ROOF group.

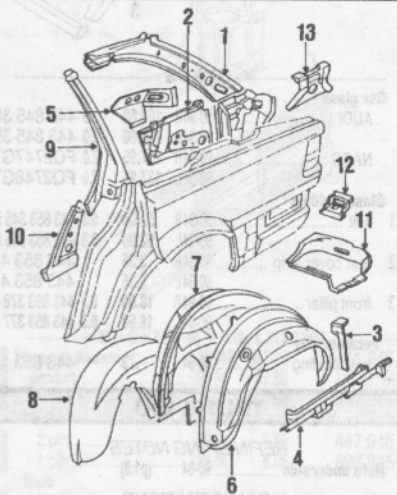
Molding

527	2 frontside	90-94R	30.05
528		90-94L	30.05

panel top at pillar base

898		(p.3) 90-94R	25.90 #
899		(p.3) 90-94L	25.90 #

Paint to match.



INNER COMPONENTS

529	1 Inner panel	90-94R	88.50 #
530		90-94L	85.95 #
Reinforcement			
902	upper	90-94R	6.50
903		90-94L	6.50
531	2 lower	90-94R	32.05
532		90-94L	32.05
533	3 Extension	90-94R	60.35
534		90-94L	60.35
535	4 Gutter	90-94R	33.85
536		90-94L	33.85

Mount bracket

537		90-94R	33.85
538		90-94L	33.85

CONTINUED

Please refer to the "GUIDE TO ESTIMATING" section of this Estimating Guide (pages 4 through 52) for a detailed explanation of the parts information and operation times listed above.