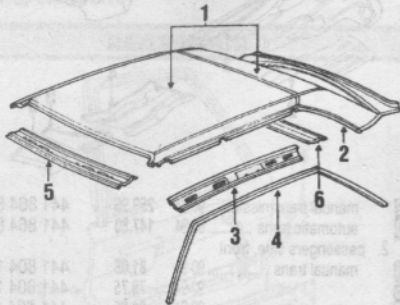


831	Upper trim	90-94	102.45	441 863 289 1WV
832	Air vent	90-94	50.15	441 819 203 V7A
833	Trim	90-94	22.10	441 863 275 AV7A
1363	Cellular phone	93-94	280.20	441 035 104 A
1364	Harness	93-94	D 35.40	441 971 178 A
Armrest				
for telephone				
1081	center	90-91	766.00	441 881 751 A2KL
1365		92-94	744.00	441 881 751 F5NX

Order by color and model.

ROOF & BACK GLASS



R&I OPERATIONS

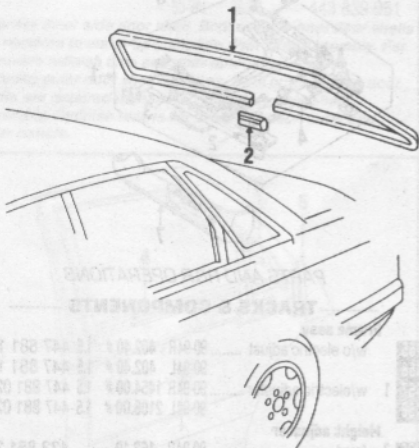
332	R&I headliner w/o sliding panel	90-94	5.0	
333	w/sliding panel	90-94	6.5	

PARTS AND R&R OPERATIONS

ROOF

334	1 Roof panel w/o sunroof	(p3.5) 90-94	1059.00	23.0	443 817 111 B
335	w/sunroof	(p4.0) 90-94	1454.00	25.0	443 817 017 A
336	2 Glass frame	90-94	687.00		443 817 145 A
337	3 Inner side rail	90-94R	61.40	# 2.5	443 817 968 C
338		90-94L	61.40	# 2.5	443 817 967 C
339	4 Drip molding	90-94R	45.00	0.5	443 853 704 E
340		90-94L	89.35	0.5	443 853 703 E
retainer strip					
341	front	90-94R	24.00		443 853 710 01C
342		90-94L	24.00		443 853 709 01C
343	rear	90-94R	13.15		443 853 710 A01C
344		90-94L	13.15		443 853 709 A01C
Header panel					
345	5 front	90-94	37.60	# 2.0	443 817 995 A
346	6 rear	90-94	63.60	# 2.0	443 817 983 A
Interior lamp					
1082	w/o sunroof	90-94	29.20	0.5	443 947 105 E01C
1083	w/sunroof	90-94	22.60	0.5	447 947 105 E01C

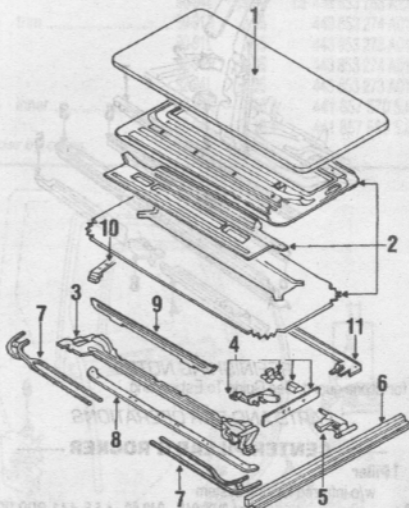
After roof panel is removed.
† Order by description.



BACK GLASS

Back glass				
AUDI				
347	w/o inscription	90-94	528.00	3.5 443 845 501 AQ
348	w/inscription	90-94	834.00	3.5 443 845 501 AS
NAGS				
349	w/o inscription	90-94	1033.90	3.5 FB3278GTN
350	w/inscription	90-94	1323.35	3.5 FB3279GTN

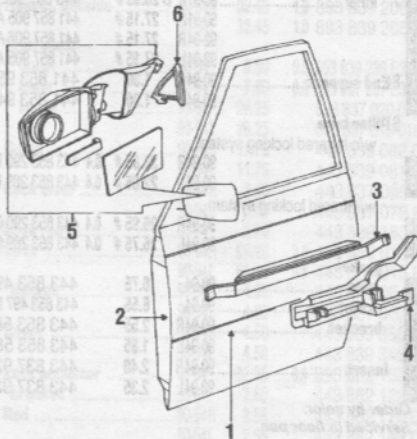
351	1 Reveal molding	90-94	92.30	0.6 443 853 297
Cap				
352	2 joint	90-94	2.15	443 853 367 G
Sunshade				
1084	roller	90-94	410.80	443 861 325 CACZ



SLIDING ROOF

355	1 Slide panel	(p1.5) 90-94	545.00	2.0	443 877 071 C
356	Weatherstrip	90-94	47.20		443 877 297 B01C
357	Frame assy	90-94	781.00	3.5	443 877 041 C
358	2 Slide assy	90-94	102.10		443 877 257 A2TG
834	Trim	90-94R	3.35		321 877 782
		90-94L	3.35		321 877 781
359	Motor	90-91	412.75	m0.5	443 877 795 B
1195		92-94	558.00	m0.5	441 877 795
360	Cover	90-91	132.75		441 877 829 B5VD
1196		92-94	138.05		441 877 829 7VJ
Guide					
361	3 front	90-94	165.05		443 877 497 A
362	4 side	90-94R	45.80		893 877 152 A
363		90-94L	45.80		893 877 151 A
836	fastener	90-94R	15.60		443 877 270 A
837		90-94L	15.60		443 877 269 A
364	5 Rear guide	90-94	94.10		443 898 015 B
365	6 Channel	90-94R	80.40		443 877 354 C
366		90-94L	80.40		443 877 353 C
367	7 Tube	90-94R	47.80		443 877 338 A
368		90-94L	47.80		443 877 337 A
838	bracket	90-94	15.60		443 877 375 A
369	8 Cover	90-94	48.00		443 877 389 B
370	9 Air deflector	90-94	77.35	0.4	443 877 651 B
371	10 fastener	90-94R	16.20		443 877 682 D
372		90-94L	16.20		443 877 681 D
Channel					
373	11 water drain	90-94	150.95		443 877 631 B

FRONT DOOR



Except Door Shell or Door Inner Panel R&R, all operation times in this group are after door trim panel is removed.

REFINISHING NOTES

Add for stone guard. See Guide To Estimating.

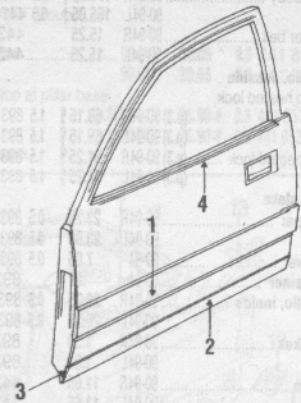
374	Refn outer panel	90-94	(p2.5)	
1393	Refn edges	90-94	(p.5)	
ADD IF REQUIRED				
1394	Add for mirror	90-94B		0.5
OVERLAP OPERATIONS				
1291	R&R shell & inner pnl	90-94		7.0
R&I OPERATIONS				
377	R&I door assy	90-94B		1.5
378	R&I trim panel	90-94B		1.0

PARTS AND R&R OPERATIONS

DOOR & COMPONENTS

Door					
379	1 outer shell assembly w/hinges	(p5.1) 90-94R	508.00	# 5.0 443 831 052 E	
380		(p5.1) 90-94L	508.00	# 5.0 443 831 051 E	
381	2 Inner panel	90-94R	622.00	4.5 443 837 754 EV7A	
382		90-94L	622.00	4.5 443 837 753 EV7A	
383	3 Impact bar	90-94	118.00		443 831 515 A
Mount bracket					
384	4 armrest	90-94R	39.85		443 837 952
385		90-94L	39.85		443 837 951
386	5 Mirror	90-94R	299.85	0.5	443 857 502 AN3FZ
387		90-94L	237.00	0.5	443 857 501 AL3FZ
388	Cap	90-94R	34.00		443 857 600
389		90-94L	34.00		443 857 599
390	Mirror glass	90-94R	107.10		443 857 536 L
391		90-94L	98.25		443 857 535 N
839	gasket	90-94R	1.20		441 857 556
840		90-94L	1.20		441 857 555
392	6 Interior trim	90-94R	8.95		441 857 506 V7A
393		90-94L	8.95		441 857 505 AV7A

† Includes inner side door shell. Both outer & inner door shells are required to make-up complete door shell assembly. For complete refinish time see door outer shell assembly.
Includes outer door shell & hinges. Both outer & inner door shells are required to make-up complete door shell assembly. Refinish time is for complete door, inner and outer panels.



EXTERIOR TRIM

Molding					
384	1 upper	(d2) 90-94R	123.20	0.3 441 853 954 A3FZ	
395		(d2) 90-94L	123.20	0.3 441 853 953 A3FZ	
396	2 lower	(d2) 90-94R	37.55	0.3 441 853 960 A01C	
397		(d2) 90-94L	38.50	0.3 441 853 959 A01C	
398	3 End cap	90-94	1.40		443 853 113 A01C
Belt molding					
399	4 at window	90-94R	60.80	1.5 443 853 284 K2ZZ	
400		90-94L	59.05	1.5 443 853 283 K2ZZ	

CONTINUED

Please refer to the "GUIDE TO ESTIMATING" section of this Estimating Guide (pages 4 through 52) for a detailed explanation of the parts information and operation times listed above.