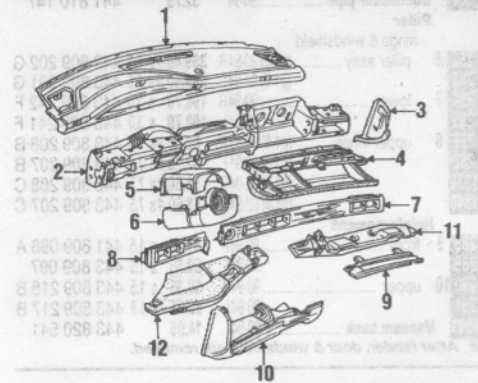


## COWL & WINDSHIELD (CONT)

WINDSHIELD GLASS			
<b>Glass</b>			
292	AUDI	90-91	D 471.85 3.0 441 845 099 D
1183	w/o antenna	92-94	3.0 443 845 099 E
1184	w/antenna	92-94	582.00 3.0 443 845 099 AE
293	NAGS	90-91	1381.90 3.0 FW578GGN
1185	w/o antenna	92-94	3.0 NOT LISTED
1186	w/antenna	92-94	1381.90 3.0 FW578GGN
<b>wedge</b>			
1342	adjusting	90-94	.92 443 845 631 A
<b>spacer</b>			
1343	upper side	90-94	.45 443 845 237 B
1344	lower	90-94	.92 443 845 237 D
294	Mirror	90-94	13.15 0.3 441 857 511 01C
809	Sunvisor	90-94R	127.75 0.3 441 857 552 ABRJ
810		90-94L	127.75 0.3 441 857 551 ABRJ
295	1 Reveal molding	90-94	90.40 0.6 443 853 299
296	2 Lower joint	90-94	2.15 443 853 367 A
297	Wiper arm	90-91R	58.50 0.3 443 955 407 F
298		90-91L	68.10 0.3 443 955 407 E
1187		92-94R	45.85 0.3 441 955 408 G03C
1188		92-94L	53.65 0.3 441 955 407 G03C
299	Blade	90-91	14.15 0.2 200 955 421 A
1189		92-94R	23.75 0.2 200 955 422 A
1190		92-94L	40.35 0.2 200 955 422 A
300	Wiper motor	90-91	268.00 0.8 443 955 113 C
1191		92-94	160.40 0.8 441 955 113 B
<b>Rod</b>			
811	transmission base	90-91	71.05 441 955 603
1345		92-94	71.05 441 955 603
812	Operating rod	90-94R	17.05 443 955 332 A
813		90-94L	21.50 443 955 331 A
301	Washer reservoir	90-94	132.30 0.3 441 955 451 A
302	Pump	90-94	42.95 431 955 651
<b>Switch</b>			
729	water level	90-94	33.95 443 955 523 A
<b>Nozzle</b>			
730	non-heated	90-94	2.40 893 955 985
814	heated	90-94	40.15 447 955 985 J

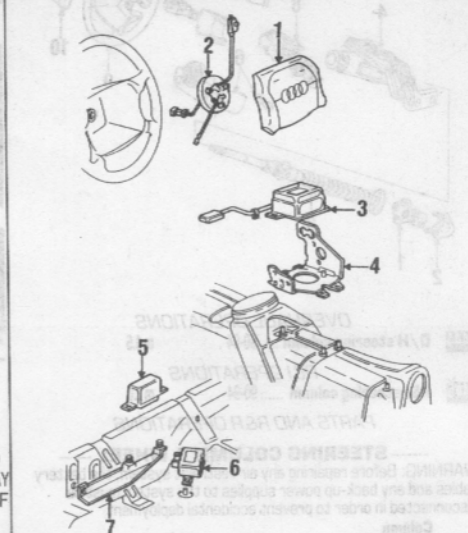
## INSTRUMENT PANEL



PARTS AND R&R OPERATIONS

INSTRUMENT PANEL			
303	Instrument panel	90-94	6.0 NOT LISTED
304	1 upper	90-94	871.00 # 4.0 441 857 003 B5AY
305	2 lower	90-94	393.50 # 441 857 099 F
3 end cap			
306	w/single air bag	90-94R	194.75 0.5 441 857 046 B5AY
307		90-94L	201.45 0.5 441 857 045 A5AY
1346	w/dual air bag	90-94R	189.10 441 857 046 B1KY
1347		90-94L	194.75 441 857 045 A1KY
308	Gauge bezel	90	230.05 1.0 447 919 208 AA
309	4 Glove box assy	90-91	D 405.00 # 0.5 441 857 095 AXA4
1192		92	D 126.90 # 0.5 433 857 035 C7GA
1348	w/single air bag	93-94	688.60 # 0.5 447 857 095 B7KX
310	Lock	90-94	33.10 441 857 131 7FR
311	Cyl & keys	90-94	14.50 893 857 113
<b>Panel support</b>			
center instrument			
1349	w/single air bag	90-94	393.50 441 857 099 F
1350	w/dual air bags	90-94	516.00 441 857 099 G
<b>Side shield</b>			
1351	w/dual air bags	90-94R	7.75 441 880 532
1352		90-94L	7.75 441 880 531
<b>bracket</b>			

## RESTRAINT SYSTEMS

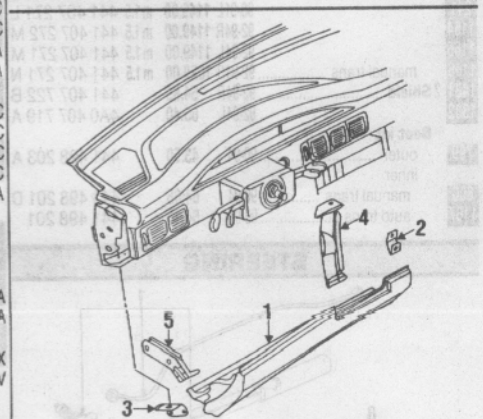


PARTS AND R&R OPERATIONS

AIR BAG COMPONENTS			
<b>Air bag</b>			
731	driver side	90-94	818.00 # m0.5 4A0 880 201 01C
1392	passenger side	90-94	1542.00 # m3.0 441 880 203
942	2 Cancel ring	90-94	313.10 # m1.0 4A1 951 543
<b>Sensor</b>			
732	single air bag	90-94	839.00 m1.5 443 959 655 E
1357	dual air bags	92	627.00 m1.5 443 959 655 C
1358		93-94	872.00 m1.5 4A0 959 655
<b>bracket</b>			
865	single air bag	90-94	35.90 441 959 677 D
1359	dual air bags	92	43.60 441 959 677 H
1360		93-94	46.40 441 959 677 L

WARNING: Before repairing any air restraint system, the battery cables and any back-up power supplies to the system must be disconnected in order to prevent accidental deployment.

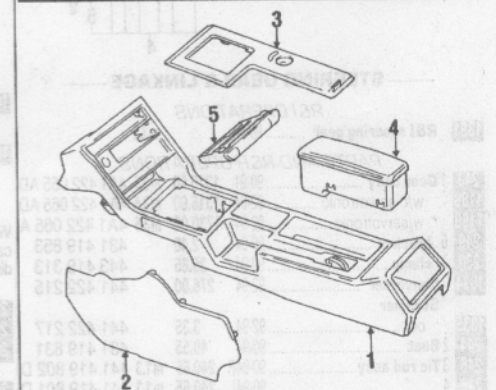
734	5 Transformer	90-94	253.60 m0.5 443 959 663 B
866	7 bracket	90-91	9.50 443 959 683
1219		92-94	23.55 441 035 462
<b>Accumulator</b>			
733	6 current	90-94	115.70 m1.5 443 959 659
<b>SEAT BELT</b>			
<b>Retractor</b>			
front			
1220	manual trans	90-94R	115.50 # 5.0 441 857 706 C041
1221		90-94L	115.50 # 5.0 441 857 705 C041
867	auto trans	90-94R	115.50 # 5.0 441 857 706 041
868		90-94L	115.50 # 5.0 441 857 705 041
869	Buckle	90-94R	31.50 # 0.3 443 857 755 G01C
870		90-94L	19.70 # 0.3 443 857 755 F01C
871	Adjuster	90-94	38.75 893 857 833 A
rear			
872	outer	90-94	85.55 1.3 443 857 709 041
874	inner	90-94	56.70 1.3 443 857 703 A041
875	buckle	90-94	20.20 0.5 443 857 739 C01C



## KNEE BAR & PADS

817	1 Knee bolster	90-94	656.00 # m0.5 441 880 655 A3VY
1361	w/dual air bags	90-94	563.00 # m0.5 441 880 656 1KY
<b>bracket</b>			
818	2 center end	90-94	3.30 441 880 365 C
819	3 drivers end	90-94	1.50 441 880 367
<b>brace</b>			
1030	4 center verticle	90-94	17.25 441 880 659 C
1031	5 drivers outer	90-94	5.60 441 880 347 A

## CONSOLE



PARTS AND R&R OPERATIONS

CENTER CONSOLE			
324	1 Console	90-91	506.00 # 1.5 441 863 241 1KY
1362		92-94	506.00 # 1.5 441 863 241 1JKY
325	2 Side panel	90-94R	367.00 # 0.3 441 863 306 8JY
326		90-94L	367.00 # 0.3 441 863 305 8JY
<b>Trim</b>			
327	3 silt	90-94	194.20 0.5 441 863 270 B1WV
328	4 Tape holder	90	NOT LISTED
329	5 Ashtray	90-94	199.20 441 857 950 1WV
<b>Mount bracket</b>			
830	switch	90-94	24.45 441 863 349 V7A