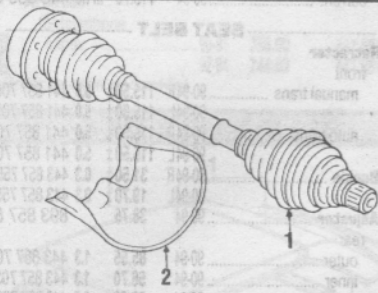


237	11 outer	90-94	15.65	431 407 181 F
238	12 Clamp	90-94	35.25	441 411 336 D
239	13 Bushing	90-94	7.30	447 411 327 B

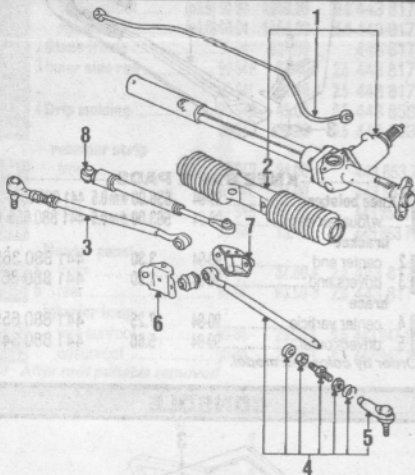
By color code.



AXLE SHAFT

1 Axle Assy				
240	auto trans	90-91R	1149.00	m1.5 441 407 272 G
241		90-91L	1149.00	m1.5 441 407 271 L
1164		92-94R	1149.00	m1.5 441 407 272 M
1165		92-94L	1149.00	m1.5 441 407 271 M
1166	manual trans	92-94B	1029.00	m1.5 441 407 271 N
1431		92-94R	54.85	441 407 722 B
1332		92-94L	65.40	4A0 407 719 A
2 Shield				
799	outer	90-94	43.50	441 498 203 A
	inner			
800	manual trans	90-94	64.65	443 498 201 D
1167	auto trans	90-94	54.10	441 498 201

STEERING

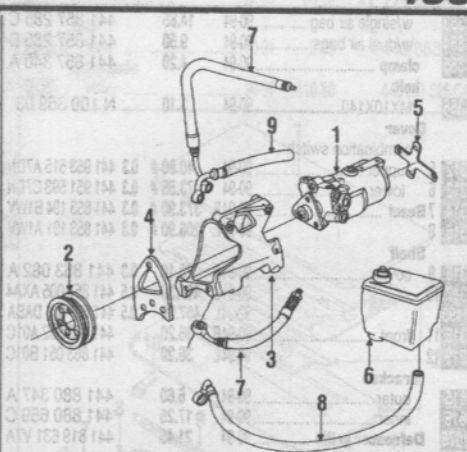


STEERING GEAR & LINKAGE

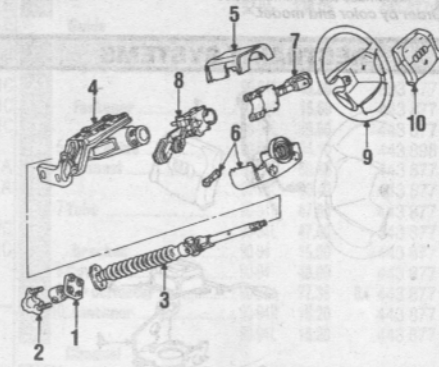
R&I OPERATIONS				
1391	R&I steering gear	90-94		m3.2
PARTS AND R&R OPERATIONS				
243	1 Gear Assy	90-91	1315.00	m3.5 4A1 422 065 AD
1168	w/o servotronic	92-94	1315.00	m3.5 4A1 422 065 AD
1169	w/servotronic	92-94	1730.00	m3.5 4A1 422 065 A
249	6 bracket	90-94	2.40	431 419 853
250	7 clamp	90-94	25.85	443 419 313
1334	Converter	92-94	276.00	441 422 215
Strainer				
1335	oil	92-94	3.35	441 422 217
244	2 Boot	90-94	40.55	431 419 831
245	3 Tie rod Assy	90-94R	240.65	m1.3 441 419 802 D
246	4	90-94L	240.65	m1.3 441 419 801 D
End				
247	5 outer	90-94R	64.05	m0.8 443 419 812 D
248		90-94L	65.95	m0.8 443 419 811 D
1433	inner	90-94	#	NOT SERVICED
251	8 Damper	90-94	98.25	431 425 021 B
803	Feed line	90-94	79.30	443 422 251 A

PUMP

252	1 Pump Assy	90-94	353.00	m1.8 077 145 155 DX
mount bracket				
254	3 to engine	90-94	103.60	077 260 885 B
255	4 front	90-94	25.85	077 145 519 B



256	5 rear	90-94	5.45	077 145 531 B
253	2 Pulley	90-94	33.60	m0.5 077 145 255 B
257	6 Reservoir	90-94	99.90	m0.6 441 422 371 B
Pressure accum				
1336	3.6 liter	90-91	362.95	441 612 061 B
1429	4.2 liter	92-94	362.95	443 612 061 H
bracket				
1337	3.6 liter	90-91	22.00	441 805 237 A
1430	4.2 liter	92-94	12.95	4A0 612 023
Hose				
pressure				
258	7 front	90-94	223.20	m1.5 441 498 892 C
259	rear	90-94	213.85	m0.8 441 498 892 B
261	8 suction	90-94	84.65	m0.8 441 422 887 C
262	9 return	90-94	49.20	m1.0 441 422 891 D
Pipe				
260	pressure	90-94	47.05	441 422 897 C
263	suction	90-94	105.35	441 422 891 E



OVERHAUL OPERATIONS

1444	O/H steering column	90-94		m4.5
------	---------------------	-------	--	------

R&I OPERATIONS

1445	R&I steering column	90-94		m2.0
------	---------------------	-------	--	------

PARTS AND R&R OPERATIONS

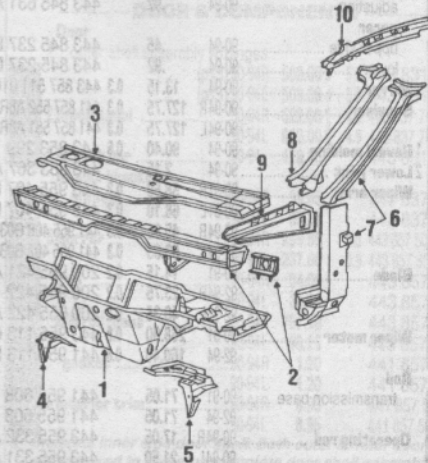
WARNING: Before repairing any air restraint system, the battery cables and any back-up power supplies to the system must be disconnected in order to prevent accidental deployment.

Column				
264	1 lower	90-94	97.80	m1.0 893 419 761 A
266	3 upper	90-94	263.10	m2.5 893 419 509
265	2 clamp	90-94	8.25	893 419 536
Tube				
267	4 w/bearing	90-91	168.60	m2.5 441 419 561 A
1177		92-94	168.60	m2.5 441 419 561 A
Column cover				
804	5 upper	90-94	39.60 #m0.3	441 953 515 A2XB
805	6 lower	90	71.40 #m0.3	441 951 593 B2XB
1038		91-94	71.40 #m0.3	441 951 593 C5KR
268	Lock housing	90-91	63.00	m0.8 441 905 851
1178	manual trans	92-94	67.50	m0.8 441 905 851 C
1179	auto trans	92-94	120.35	m0.8 441 905 851 A
269	Ignition switch	90-94	25.55	m0.7 4A0 905 849
270	Cyl & keys	90-91	58.15	m0.8 893 905 855 A
1180	manual trans	92-94	44.45	m0.8 4A1 905 855
1181	auto trans	92-94	41.40	m0.8 4A1 905 855 A
806	7 Wiper lever	90-91	160.95	447 953 503 E01C

1182	8 Signal lever	92-94	160.95	4A9 953 503 B01C
807		90-94	139.90	443 953 513 K01C
Steering wheel				
272	9 leather	90-94	631.00 #m0.7	4A0 419 091 CSAV
Horn pad				
274	10 and air bag	90-94	913.00 #m0.5	4A0 880 201 6VL
1451	Air bag	90-94	#	SEE FOOTNOTE

See RESTRAINT SYSTEMS group for part listing.
Order by description.

COWL & WINDSHIELD

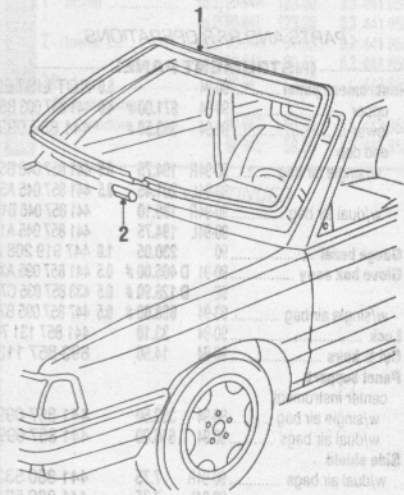


PARTS AND R&R OPERATIONS

COWL

Cowl panel				
277	1 outer	(p1.0) 90-94	600.00	441 805 261 A
278	2 inner Assy	90-94		NOT LISTED
279	3 Shield	90-94	146.60	04 441 819 401
280	4 Reinforcement	90-94R	87.50	441 805 254
281	5	90-94L	85.05	441 805 253
808	Connector pipe	90-94	32.75	441 810 147
Pillar				
hinge & windshield				
282	6 pillar Assy	(p1.0) 90-94R	339.80 #s 7.5	443 809 202 G
283		(p1.0) 90-94L	289.90 #s 7.5	443 809 201 G
284	7 lower	90-94R	198.70 s 3.0	443 809 242 F
285		90-94L	198.70 s 3.0	443 809 241 F
286	8 upper inner	(p1.0) 90-91R	62.25 #s 7.5	443 809 208 B
287		(p1.0) 90-91L	62.25 #s 7.5	443 809 207 B
1339		(p1.0) 92-94L	58.60 #s 7.5	443 809 208 C
1340		(p1.0) 92-94L	58.60 #s 7.5	443 809 207 C
Reinforcement				
288	9 front	90-94R	81.20	s 1.5 441 809 098 A
289		90-94L	59.55	s 1.5 443 809 097
290	10 upper	90-94R	50.35	s 1.5 443 809 218 B
291		90-94L	50.35	s 1.5 443 809 217 B
1341	Vacuum tank	90-94	14.05	443 820 541

After fender, door & windshield are removed.



CONTINUED

Please refer to the "GUIDE TO ESTIMATING" section of this Estimating Guide (pages 4 through 52) for a detailed explanation of the parts information and operation times listed above.