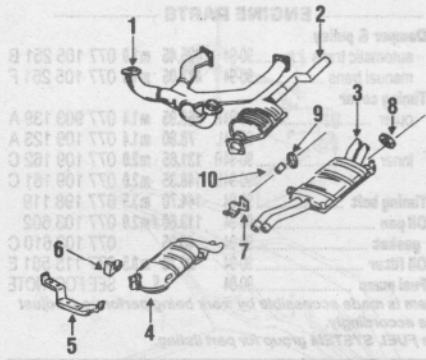


EXHAUST SYSTEM

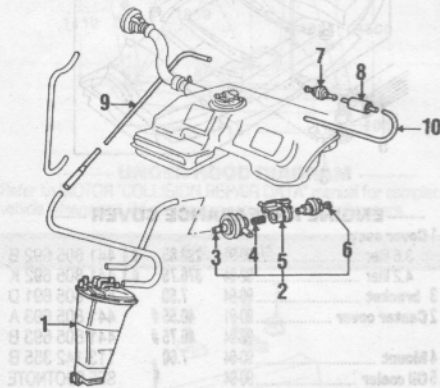


PARTS AND R&R OPERATIONS

EXHAUST COMPONENTS

197	198	Manifold	90-94R	708.00	2.0	077 129 592 E
			90-94L	806.00	2.0	077 129 591 F
984	199	1 Cross over pipe	90-94	642.00	1.8	441 253 101 N
		manual trans	90-91	697.00	1.8	441 253 101 K
1328		automatic trans	92-94	697.00	1.8	441 253 101 Q
985	200	2 Converter	90-94R	937.00	1.8	441 131 090 X
		manual trans	90-94L	937.00	1.8	441 131 089 X
986	201	automatic trans	90-94R	937.00	1.8	441 131 702 QX
			90-94L	776.00	1.8	441 131 089 DX
202	3	Muffler	90-94	635.00	0.7	441 253 088 A
987	4	rear	90-94	599.00	0.7	441 253 609 D
988		manual trans	90-94	582.00	0.7	441 253 609 E
989	5	Converter	90-94	80.45		441 253 309 A
		lower bracket and support				
		automatic trans				
		support straps mounted on side				
990		manual trans	90-94	3.15		441 253 267 H
991		automatic trans	90-94R	20.30		441 253 266 A
992			90-94L	19.70		441 253 266
993	6	Shield	90-94	51.90		441 253 753 D
		manual trans				
		mount bracket				
994	7	front at converter	90-94R	56.40		441 253 252
995		manual trans	90-94L	56.40		441 253 251 F
996		auto trans	90-94R	19.70		441 253 372 B
997			90-94L	19.70		441 253 371 A
998	8	at rear muffler	90-94	9.70		441 253 135 E
999	9	support	90-94	16.10		441 253 147 B
		retaining				
1000	10	retainer ring	90-94	1.80		861 253 147
1001		muffler to member	90-94	3.60		441 505 273
		Spacer sleeve				

EMISSION SYSTEM



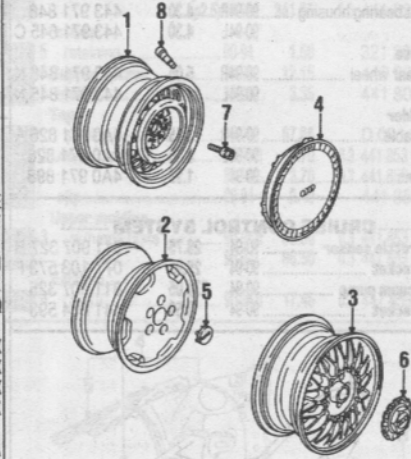
PARTS AND R&R OPERATIONS

EMISSION COMPONENTS

1002	1	Vapor canister	90-94	141.95	m0.4	441 201 801
1003	2	Valve assy	90-94			NOT SERVICED
1005	5	bracket	90-94	10.65		077 133 285

1004	3	Valve	90-94	139.35		077 133 517 A
1005	4	to canister	90-94	8.25		077 133 557
1007	6	gasket	90-94	99.95		034 133 517
1008	7	Solenoid valve	90-94	31.80		443 201 146 A
1009	8	Bleeder valve	90-94	5.10		443 201 191 C
1010	9	Tubing	90-94	4.60		443 201 183 N
1011	10	Tube	90-94	11.50		443 201 183 L
		system breather				
		passenger side				
		drivers side				

WHEELS & ORNAMENTATION

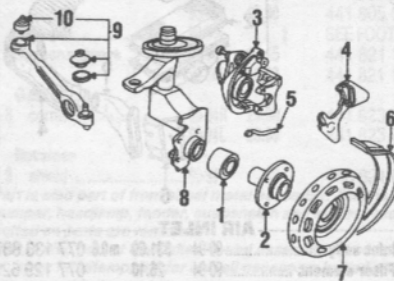


WHEELS

R&I OPERATIONS

1269	R&I wheel	90-94B	m0.1			
PARTS AND R&R OPERATIONS						
204	1	Wheel	90-94	141.00	#m0.3	441 601 025 N27P
		steel, type 1	(p.5)			
1142	2	Wheel	90-94	478.35	#m0.3	441 601 025 Q27P
205		aluminum, type 2				
		15x7	90-91	492.70	#m0.3	441 601 025 HZ7P
1143		15x7.5 silver	92-94	492.70	#m0.3	441 601 025 SZ7P
1144		15x7.5 white	90-91	492.70	#m0.3	441 601 025 HOA9
1145			92-94	492.70	#m0.3	441 601 025 SOA9
1146	3	Wheel	90-94	478.35	#m0.3	441 601 025 PZ7P
		aluminum, type 3				
1147		15x7.5	90-94	492.70	#m0.3	441 601 025 KZ7P
1148		16x8 silver	90-94	492.70	#m0.3	441 601 025 KOA9
		16x8 white				
1149	4	Wheel cover	92-94	50.90		4A0 601 147 ZC
1150		chrome	92-94	5.45		437 601 171
		black				
207	5	Hub cap	90-94	20.65		893 601 170 ZC
1151		for type 2 wheel	90-94	20.65		893 601 170 OA9
		chrome				
		white				
1152	6	Hub cap	90-94	51.95		447 601 165 C7ZC
1153		for type 3 wheel	90-94	51.95		447 601 165 B7ZC
1154		15x7.5	90-94	51.95		447 601 165 BOA9
208	7	Wheel bolt	90-94	3.05		431 601 139 A
794	8	Valve stem	90-94	1.20		175 601 361

Add for balance weights and valve stem.



SUSPENSION COMPONENTS

ADD IF REQUIRED
Wheel alignment

1437	align front wheels	90-94	m1.5
1438	adjust toe-in	90-94	m0.6
1439	align four wheels	90-94	m2.6

OVERHAUL OPERATIONS

1440	O/H suspension	90-94B	m4.0
1441	one side	90-94	m7.8
	both sides		

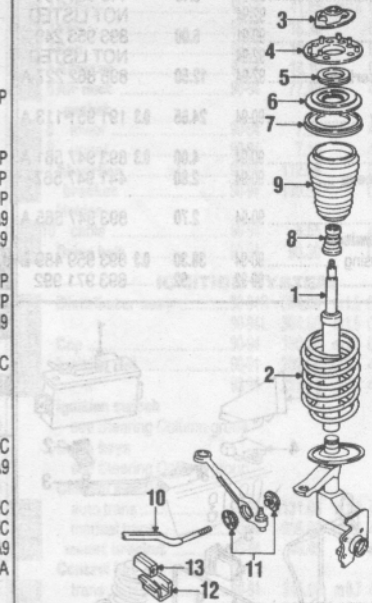
R&I OPERATIONS

1442	R&I suspension	90-94B	m3.0
1443	one side	90-94	m5.8
	both sides		

PARTS AND R&R OPERATIONS

212	1	Bearing	90-94B	236.90	#m2.1	443 498 625 A
213	2	Hub	90-94B	245.55	#m2.1	441 407 615 C
214	3	Calliper	90-94R	693.00	m1.0	441 615 108 A
215			90-94L	693.00	m1.0	441 615 107 A
216	4	bracket	90-94R	20.05		441 615 306
217			90-94L	20.65		441 615 305
		Wire				
1012	5	pad wear indicator sender	90-94	48.40		441 919 351 A
219	6	Splash shield	90-94R	29.35	#m0.3	441 615 312 D
220			90-94L	28.50	#m0.3	441 615 311 D
218	7	Brake rotor	90-94B	551.00	m0.8	441 615 283 S
221		Hose	90-94B	65.35	m0.6	441 611 707
795		ABS sensor	90-94B	189.90	m0.5	441 927 803 D
222	8	Steering knuckle	90-91R	581.00	m2.5	441 412 026 D
223			90-91L	490.00	m2.5	441 412 025 D
1157			92-94R	532.00	m2.5	4A0 412 026 AB
1158			92-94L	517.00	m2.5	4A0 412 025 AB
233	9	Control arm	90-94R	328.05	m1.2	441 407 152 C
234			90-94L	329.05	m1.2	441 407 151 C
1432		Ball joint	90-94	†		NOT SERVICED
235	10	bushing	90-94	24.95		431 407 183 A

† Time is for hub and/or bearing.
‡ After brake disc is removed.
§ Part of Control arm.



FRONT SUSPENSION

224	1	Shock	90-91B	339.05	m1.5	441 413 031 G
1329			92-94B	338.10	m1.5	441 413 031 N
225	2	Spring	90-91B	262.85	#m1.5	441 411 105 J952
1159			92-94B	255.20	#m1.5	441 411 105 H952
226	3	Upper mount	90-94	98.20		441 412 377 D
796		Cap	90-94	3.15		441 412 375
227	4	Support	90-94	64.80		441 412 321 A
228	5	Bearing	90-94	39.40		441 412 249 A
		Spring seat				
229	6	upper	90-91	23.45		441 412 111
1330			92-94			4A0 412 111
797		lower	90-91	8.35		441 411 109
1331			92-94	9.30		4A0 411 109
230	7	Ring	90-94	2.40		431 412 119 A
231	8	Stop	90-94	23.85		445 412 131
232	9	Boot	90-94	19.20		431 412 175 D
236	10	Stabilizer bar	90-94	294.85	m1.1	441 411 309 F