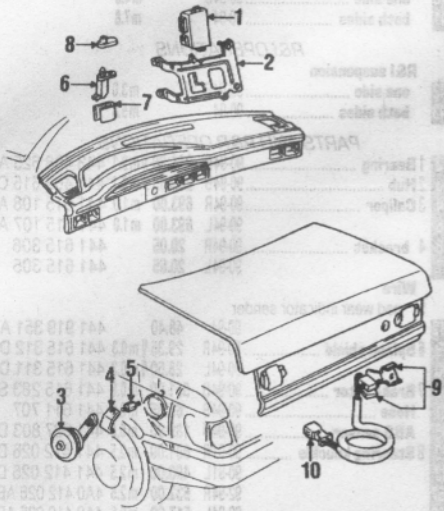
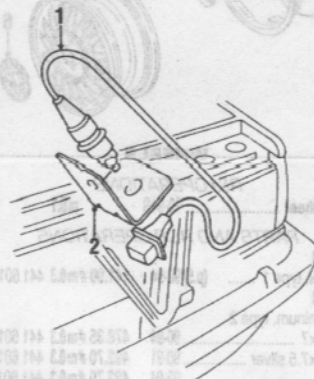


173	low note	90-94	50.65	m0.5	171 951 221
1127	mount bracket	90-91			441 821 167
1326		92-94	9.75		441 821 167 C
789	brace	90-91	1.90		447 951 229
1327		92-94	3.25		893 951 229

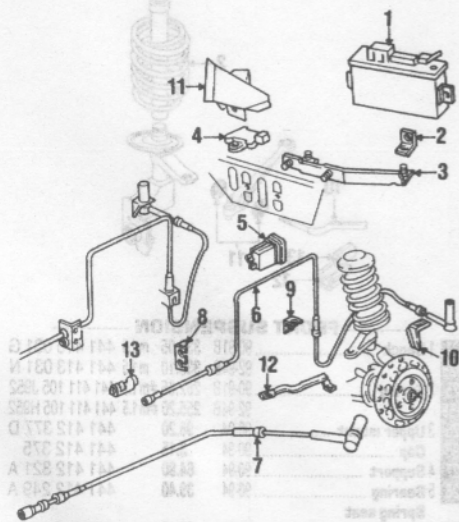


1013	manual trans	90-94	695.00	m0.5	857 907 379 D
1014	automatic trans	90-94	695.00	m0.5	441 907 379
retainer brkt					
1013 2	short corner	90-94	7.85		443 907 370 A
1013 3	lower stud	90-94	33.85		443 907 369 A
Switch					
1017 4	accelerator	90-94	417.90		443 907 388
1015 5	on dashboard	90-94	26.95	m0.3	893 941 528 A01C
Sensor					
1019 6	front	90-94	189.90	m0.5	441 927 803 D
1020 7	rear	90-94	347.05	m0.8	4A0 927 807 A
retainer brkt					
1021 8	verticle	90-94	1.90		441 971 845 E
1022 9	horizontal	90-94	4.20		443 971 845 B
1023 10	at bearing housing	90-94R	4.30		443 971 846
1024		90-94L	4.30		443 971 845 C
Plate					
1025 11	rear wheel	90-94R	5.05		443 971 846 N
1026		90-94L	11.60		443 971 845 N
Holder					
1027 12	cable	90-94R	3.15		4A0 971 826 A
1028		90-94L	3.15		4A0 971 826
1029 13	Joint	90-94	1.90		4A0 971 898

CRUISE CONTROL SYSTEM					
1420	1 Throttle sensor	90-94	28.75		811 907 327 B
1421	2 bracket	90-94	25.95		077 103 573 F
1422	3 Vacuum pump	90-94	278.05		811 907 325
1423	4 bracket	90-94	8.50		441 804 593



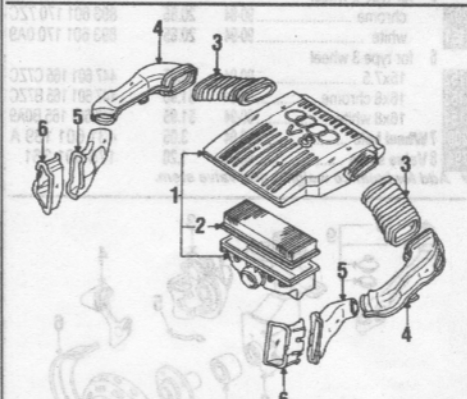
ALARM SYSTEM					
1 Control module					
1128	w/o pump	90-91	285.60	m0.7	443 953 233 D
1129	w/pump	92-94	379.85	m0.7	4A0 862 257 G
975	2 bracket	90-91	17.10		441 907 341 C
1131		92-94			NOT LISTED
977	4 plate	90-91	3.15		443 951 194
1132		92-94			NOT LISTED
978	5 spacer	90-91	6.00		893 953 249
1133		92-94			NOT LISTED
1130	Sound absorber	92-94	12.50		895 862 227 A
Horn					
976	3 auxiliary	90-94	24.65	0.3	191 951 113 A
Switch					
979	6 front	90-94	4.00	0.3	893 947 561 A
980	7 Spacer sleeve	90-94	2.80		441 947 567
Gasket					
981	8 top	90-94	2.70		893 947 565 A
9 Trunk lid switch					
982	and housing	90-94	38.30	0.3	893 959 489 B
983	10 Housing	90-92	.92		893 971 992



ABS COMPONENTS					
Pump					
1380	ABS hydraulic	90-94	1077.00	m1.3	251 614 111
1384	bracket	90-94	23.20		441 805 403 A
1383	Cover	90-94	19.75		857 614 112
1381	Relay	90-94	100.85	m0.3	437 927 829
1382	Solenoid	90-94	31.15	m0.3	701 927 841
1 E'ronic cntrl					

ELECTRICAL COMPONENTS					
1424	1 Sensor	90-94	88.65		4A0 820 535 B
1425	2 bracket	90-94	5.60		441 820 536 B

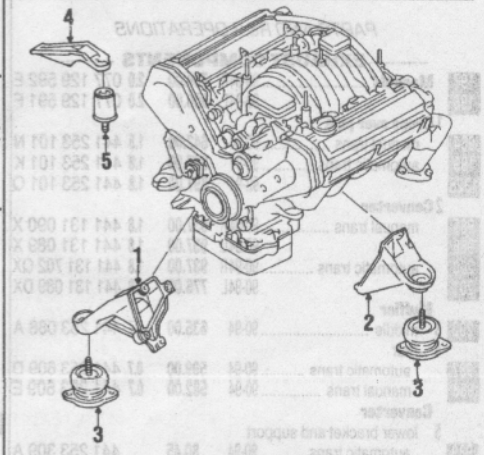
ENGINE					
R&I OPERATIONS					
174	R&I engine assy	90-94		m1.5	
PARTS AND R&I OPERATIONS					



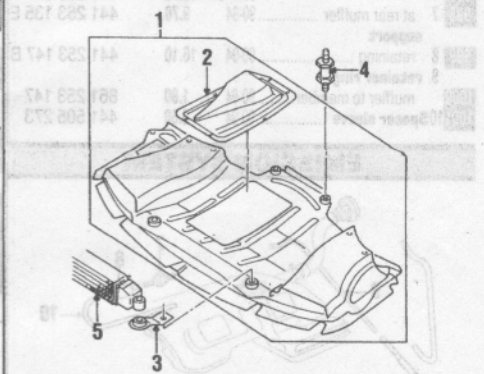
AIR INLET					
175	1 Inlet assy	90-94	331.60	m0.5	077 133 837 B
176	2 Filter element	90-94	26.10		077 129 620
177	3 Boot	90-94	89.20		077 133 865 A
178	4 Inlet pipe	90-94R	100.25	m0.3	077 133 854 C
179		90-94L	100.25	m0.3	077 133 853 C
180	5 Air vent	90-94R	10.65		077 133 858 B
181		90-94L	10.65		077 133 857 C

182	6 front	90-94R	16.05		077 133 164
183		90-94L	16.05		077 133 163

ENGINE PARTS					
Damper & pulley					
184	automatic trans	90-94	425.45	m1.0	077 105 251 B
1134	manual trans	90-94	413.05	m1.0	077 105 251 F
Timing cover					
185	outer	90-94R	368.95	m1.4	077 903 139 A
186		90-94L	78.80	m1.4	077 109 123 A
187	inner	90-94R	131.65	m2.0	077 109 162 C
188		90-94L	148.35	m2.0	077 109 161 C
791	Timing belt	90-94	144.70	m3.5	077 198 119
189	Oil pan	90-94	113.60	#m2.0	077 103 602
190	gasket	90-94	40.05		077 103 610 C
191	Oil filter	90-94	21.70	m0.5	077 115 561 E
1449	Fuel pump	90-94			SEE FOOTNOTE
* If item is made accessible by work being performed, adjust time accordingly.					
† See FUEL SYSTEM group for part listing.					



ENGINE MOUNTING					
192	1 Mount bracket	90-94R	94.70	m0.5	441 199 308 A
193	2	90-94L	55.15	#m0.5	441 199 307 A
Insulator					
194	3 3.6 liter	90-91	240.95	m1.5	441 199 381 C
1426	4.2 liter	92-94	136.70		441 199 381 F
bracket					
roll stop					
195	4 to engine	90-94	43.45		441 805 847 A
196	5 insulator	90-94	57.75	m0.8	441 199 267 B
* After mount is removed.					



ENGINE APPEARANCE COVER					
1 Cover assy					
747	3.6 liter	90-91	293.85	0.4	441 805 692 B
1307	4.2 liter	92-94	376.75	0.3	441 805 692 K
748	3 bracket	90-94	7.50		441 805 691 D
1427	2 Center cover	90-91	40.55	#	441 805 693 A
1428		92-94	46.75	#	441 805 693 B
749	4 Mount	90-94	7.60		113 142 355 B
1450	5 Oil cooler	90-94			SEE FOOTNOTE
* See COOLING group for part listing.					
† Included in cover assembly.					

Please refer to the "GUIDE TO ESTIMATING" section of this Estimating Guide (pages 4 through 52) for a detailed explanation of the parts information and operation times listed above.