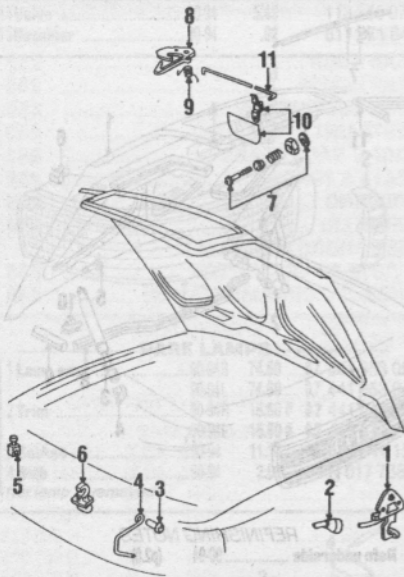


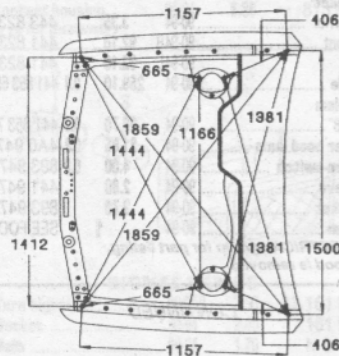
HOOD & GRILLE (CONT)



LATCH & HARDWARE

127	1 Release cable	90-94	32.80	1.0	441 823 531
971	2 Grommet	90-94	5.70		893 823 591 A
771	3 Guide	90-94	2.15		443 823 597 A
121	4 Lock lever	90-94R	3.25	0.6	441 823 590
122		90-94L	3.25	0.6	441 823 589
772	5 screw	90-94	2.90		815 827 525
	Retainer				
770	6 center	90-94	.92		441 823 573
120	7 Lock pin	90-94	9.65	0.3	431 898 550
123	8 Safety catch	90-94	5.55	0.3	441 823 485
765	9 Spring	90-94	1.70		443 823 489 A
	Pin				
764	spring	90-94	2.60		443 823 407
	Plate				
769	10 carrier	90-94	4.30		441 823 477
768	11 Release rod	90-94	6.95		441 823 497 C

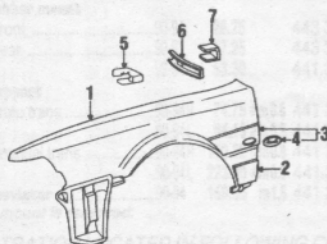
UNDERHOOD DIAGRAM 1990-94 V8 QUATTRO



UNDER HOOD DIAGRAM

Refer to MOTOR "COLLISION REPAIR DATA" manual for complete vehicle dimensions. All dimensions provided are in millimeters.

FENDER



REFINISHING NOTES

Add for stone guard. See Guide To Estimating.

137 Refn fender edges 90-94 (p.5)

OVERLAP OPERATIONS

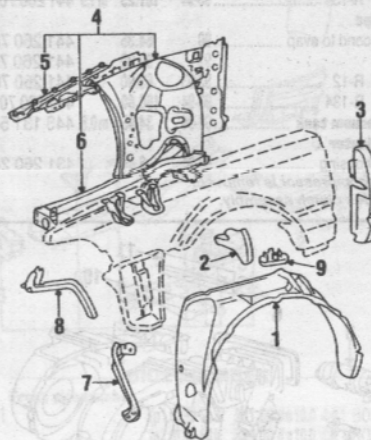
R&R fender assy with bumper off deduct 90-94 0.5

R&I OPERATIONS

1268 R&I fender assy 90-94 2.5

PARTS AND R&R OPERATIONS

	FENDER				
140	1 Fender	(p2.5) 90-94R	341.85	3.0	441 821 032
141		(p2.5) 90-94L	341.85	3.0	441 821 031
	clamp				
972	5 retaining	90-94	1.50		321 201 449 A
728	6 Support strut	90-94	12.15		443 809 523
727	7 clamp	90-94	3.35		441 809 377
	Tape				
1320	sealing	90-94	67.85		D 001 900 05
144	2 Lower molding	90-94R	3.70	0.3	441 853 992 C01C
145		90-94L	3.70	0.3	441 853 991 C01C
1419	clip	90-94	2.40		441 853 994 A
	Upper molding				
142	3 w/name plate	90-94R	86.50	0.3	441 853 972 A3FZ
143		90-94L	86.50	0.3	441 853 971 A3FZ
	Emblem				
146	4 "AUDI"	90-94B	17.45	0.3	447 853 621 01C



INNER COMPONENTS

	Shield				
150	1 wheelhouse	90-94R	53.45	0.6	441 821 172 F
151		90-94L	53.45	0.6	441 821 171 F
	Seal				
152	2 front	(d.3) 90-94R	11.05	0.3	441 821 198
153		(d.3) 90-94L	11.05	0.3	441 821 197
154	3 rear	90-94R	93.50		441 201 793 D
155		90-94L	101.55		441 955 189
	4 Wheelhouse assy				
156	w/side rail	(p1.5) 90-92R	964.00	#s10.0	441 809 102 R
157		(p1.5) 90-92L	1032.00	#s10.0	441 809 101 P
1321		(p1.5) 93-94R	964.00	#s10.0	441 809 102 R
1322		(p1.5) 93-94L	980.00	#s10.0	441 809 101 R
158	5 Upper reinf	90-94R	90.70	#s 4.0	441 805 304 E
159		90-94L	90.70	#s 4.0	441 805 303 E
	Mount assy				
160	6 absorber	90-94R	41.65		441 805 678 E
161		90-94L	42.90		441 805 677 E
1448	Side rail	90-94	†		SEE FOOTNOTE
725	7 Corner support	90-94R	17.45		441 821 136
726		90-94L	13.00		441 821 137 C
	Gasket				
774	8 corner	90-94R	29.90		441 823 738 D
775		90-94L	29.90		441 823 737 D
	Retainer				
973	9 shield	90-94	.52		443 821 699

† Part is also part of front wheel metal assembly. Time is after bumper, headlamp, fender, suspension and all necessary bolted on parts are removed.

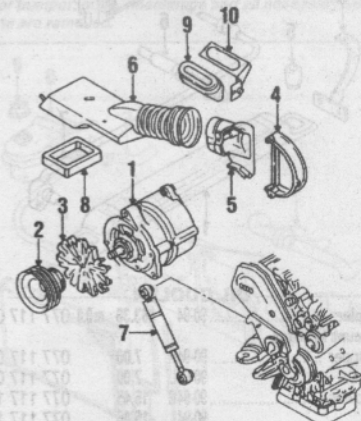
‡ Part is also part of front wheel metal assembly. Time is after bumper, headlamp, fender and all necessary bolted on parts are removed.

§ See FRAME group for part listing.

ELECTRICAL

PARTS AND R&R OPERATIONS

	BATTERY				
776	Battery	90-94	253.00	0.3	441 915 105 A
	Cable				
777	positive	90-91	546.00	m4.1	441 971 225 G
1119		92-94	523.00	m4.1	441 971 225 L
778	negative	90-94	63.30	m0.4	441 971 235 A
1323	clamp	90-94	22.70		443 804 373 A
1324	bracket	90-94	22.70		441 803 219 B



ALTERNATOR

162	1 Alternator	90-94	604.00	m1.5	077 903 017
164	mount bracket	90-94	368.95		077 903 139 A
165	adjust bracket	90-94			NOT LISTED
163	2 Pulley	90-94	41.85	m0.6	077 903 119
779	3 Fan	90-94	16.30		034 903 171
780	4 Cap	90-94	16.25		077 903 193
781	5 Adapter	90-94	16.10		077 903 199 A
782	6 Air duct	90-94	77.40		441 903 421 A
	gasket				
1052	8 lower	90-94	7.55		441 903 575
1053	9 upper	90-94	7.15		447 971 863 A
783	7 Absorber	90-94	112.55		077 903 427
784	bracket	90-94	130.55		077 903 411
	Holder				
1054	10 cable	90-94	5.55		441 971 849 B
1325	Drive belt	90-94	90.30		077 903 137 D

IGNITION SYSTEM

166	Distributor assy	90-94R	304.50	m1.5	077 905 206 E
167		90-94L	304.50	m1.5	077 905 205 E
168	Cap	90-94	160.30	m1.0	077 905 207
169	Ignition coil	90-91	202.00	m0.4	4A0 905 105
1120		92-94	229.85	m0.4	443 905 105 E
	Ignition switch				
	see Steering Column group.				
	Cyl & keys				
	see Steering Column group.				
	Control module				
785	auto trans	90-94	1131.00	m1.0	441 907 404 HB
786	manual trans	90-94	995.00	m1.0	441 907 404 FA
787	mount bracket	90-94	49.45		441 907 371 D
	Control box				
788	trans	90-91	845.00	m0.7	441 927 156 HA
1123		92-94	845.00	m0.7	441 927 156 M
1055	Relay box	90-91	97.95	m0.5	441 937 539 D
1124		92-94	97.95	m0.5	441 937 539 B
1056	Relay plate	90-94	14.65		441 937 503
	Relay				
1057	windows & sunroof	90-91	160.05	m0.5	443 959 257 B
1125		92-94	264.00	m0.5	441 959 257 B
1058	ABS double	90-94	88.10	m0.5	8A0 927 826
1059	electric fan	90-94	52.40	m0.5	443 951 253 K
1060	fuel pump	90-94	34.45	m0.5	443 951 253 AA
1061	temperature sensor	90-94	99.65	m0.5	055 906 086
1062	headlamp checking	90-94	26.90	m0.5	443 919 469 A
1063	heated seat	90-94	52.00	m0.5	443 919 533 A
1064	heated back glass	90-94	67.85	m0.5	443 959 627
1065	alarm system	90-94	25.10	m0.5	431 951 253 C
1066	dashboard lights	90-91	362.10	m0.5	441 919 080 C
1126		92-94	368.20	m0.5	441 919 080 D

HORN

172	Horn high note	90-94	41.50	m0.5	171 951 223
-----	----------------	-------	-------	------	-------------