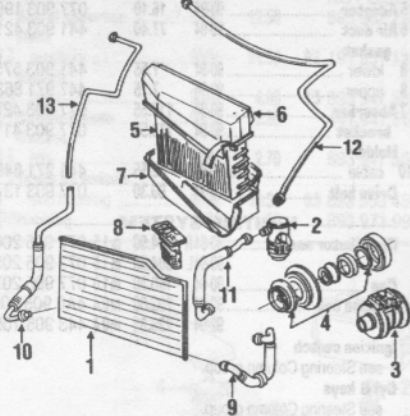


**OIL COOLER**

100	1 Cooler	90-94	463.30	m0.8	077 117 021 F
717	2 mount bracket	90-94R	7.00		077 117 044
718	2 upper	90-94L	7.00		077 117 043
719	3 lower	90-94R	15.45		077 117 186
720	3 lower	90-94L	15.45		077 117 185
753	4 rubber mount	90-94	3.85		191 201 256
1306	5 nut	90-94	4.05		441 117 049
754	5 bushing	90-94	3.50		441 117 047
755	6 Pressure line	90-94	292.20	m0.7	077 117 125 H
756	7 Return line	90-94	450.15	m0.7	077 117 123 G

**AIR CONDITIONER & HEATER**



<b>REFRIGERANT CAPACITY</b>		
R12	90-93	2.3-2.5 LBS
R134	93-94	2.42(-)/0.11L

**SPECIAL CAUTION**

Beginning in 1993 this model uses R134 refrigerant in the AC system. Extra care must be observed when servicing this type of system. R12 refrigerant MUST NOT be used. See manufacturer's service manual for specific repair procedures. With any operation requiring a refrigerant line disconnect, add AC service, i.e. evacuate, recharge and test for leaks. Add for refrigerant cost.

**ADD IF REQUIRED**

721	AC Service	90-94	m1.4
944	Refrigerant recovery	90-94	m0.4

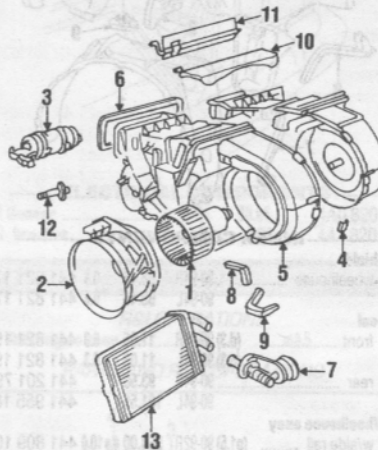
**PARTS AND R&R OPERATIONS**

**AIR CONDITIONER**

103	1 Condenser	90	742.00	m2.0	441 260 401
1109	R-12	91-93	742.00	m2.0	441 260 401 A
1402	R-134	93-94	714.00	m2.0	441 260 401 AB
<b>2 Dehydrator</b>					
104	R-12	90-93	186.25	m1.8	441 820 191 A
1403	R-134	93-94	176.35	m1.8	4A0 820 191 AC
<b>3 Compressor</b>					
105	R-12	90-91	1291.00	m2.3	077 260 803 C
1404	R-12	92-93	765.00	m2.3	077 260 803 B
1405	R-134	93-94	1038.00	m2.3	077 260 803 AB
106	4 Clutch	90-91	318.85	#m1.0	077 260 811

1406	5 Evaporator core	92-94	318.85	#m1.0	077 260 811 A
722	5 Evaporator core	90-91	437.85	m2.3	443 271 105 C
<b>Housing</b>					
741	6 upper	90-91	85.20		443 271 120
757	7 lower	90-91	82.70		443 277 120
<b>Control module</b>					
758	8 blower	90-91	83.45		443 820 523 A
<b>Evaporator</b>					
1311	R-12	92-93	702.00	m2.3	4A1 260 122
1407	R-134	93-94	702.00	m2.3	4A1 260 122 AC
<b>Flap</b>					
1312	front	92-94	36.50		4A0 260 203
1313	rear	92-94	30.70		4A0 260 205
<b>Control module</b>					
1314	blower	92-94	278.00		4A0 820 521
1315	Adjust motor	92-94	115.95		4A0 820 511 A
<b>Hose</b>					
1408	9 cond to comp	90	95.50	m1.5	441 260 701 B
1112	90-92	92.70	m1.5	441 260 701 C	
1409	R-12	92-93	92.70	m1.5	441 260 701 E
1410	R134	93-94	111.20	m1.5	441 260 701 AA
760	10 to evaporator	90-91	95.50	m1.5	441 260 709 J
1113	R-12	92-93	95.50	m1.5	441 260 709 G
1411	R-134	93-94	164.45	m1.5	441 260 709 AA
761	11 comp to dehyd	90-91	126.95	m1.5	441 260 705 A
1412	R-12	92-93	126.95	m1.5	441 260 705 C
1413	R-134	93-94	118.50	m1.5	441 260 705 AA
762	12 dehyd to evap	90-91	200.60	m1.5	441 260 707 A
1414	R-12	92-93	194.75	m1.5	441 260 707 B
1415	R-134	93-94	187.25	m1.5	441 260 707 AA
<b>Pipe</b>					
763	13 cond to evap	90	64.35		441 260 709 K
1416	91	90.30		441 260 709 E	
1417	R-12	92-93	63.90		441 260 709 Q
1418	R-134	93-94	160.80		441 260 709 AB
953	Vacuum tank	90-94	34.45	m0.6	443 131 541
<b>Adapter</b>					
1310	housing	90-94	6.45		431 260 245 A

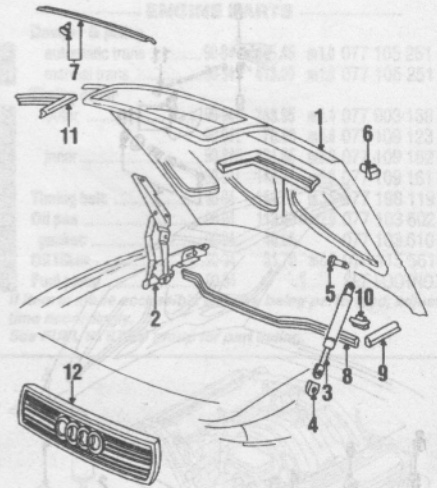
# After compressor is removed.  
† Includes clutch assembly.



**HEATER**

111	1 Fan & motor	90-91	182.10	m4.1	431 959 101 C
1316	92-94	195.80	m4.1	4A0 959 101 A	
954	2 Inlet duct	90-94	42.45		4A2 819 303
955	3 Vacuum unit	90-94	49.80		443 820 625 A
956	4 Clamp	90-94	.22		321 819 059
113	5 Housing	90-91R	78.35		443 819 096 A
114	90-91L	104.20		443 820 087	
1317	92-94R	78.60		4A0 819 096	
1318	92-94L	78.60		4A0 819 095	
957	6 gasket	90-94	9.25		431 819 225
958	7 Valve	90-94	33.30		431 819 809 A
<b>mount gasket</b>					
959	8 upper	90-94	1.40		443 260 423
960	9 lower corner	90-94	.92		443 819 229 A
<b>Flap</b>					
961	10 front	90-94	38.50		443 819 279 C
962	11 rear	90-94	37.40		443 819 280 B
963	12 Operating rod	90-94	1.70		443 819 295
112	13 Heater core	90-94	105.45	m6.0	443 819 030

**HOOD & GRILLE**



**REFINISHING NOTES**

115	Refrn underside	90-94	(p2.0)
-----	-----------------	-------	--------

**R&I OPERATIONS**

118	R&I hood assy	90-94	0.6
-----	---------------	-------	-----

**PARTS AND R&R OPERATIONS**

**HOOD & COMPONENTS**

119	1 Hood	(p4.0) 90-94	877.00	1.4	441 823 019
135	Insulator	90-94	108.45	0.3	441 863 825 A
136	retainer	90-94	1.00		N 902 293 01
124	2 Hinge	(p.3) 90-94R	39.00	#	0.5 441 823 302 A
125	(p.3) 90-94L	39.00	#	0.5	441 823 301 A
126	3 Support cylinder	90-94	66.90	0.3	443 823 359 B
767	4 Cap	90-94	.38		443 823 435 A
768	5 Pin	90-94	2.00		443 823 471 B
964	6 Bumper	90-94	1.30		431 821 159
<b>Front seal</b>					
129	center	90-94	29.05	0.2	443 823 737 C
130	7 upper	90-94	30.40	0.2	441 823 737 E
131	lower	90-94	11.55	0.2	441 823 271
132	90-94R	92.10		0.2	441 823 736 D
133	90-94L	92.10		0.2	441 823 735 D
134	8 Rear seal	90-94	33.80	0.3	443 823 723 C
773	9 side corner	90-94	5.70	0.2	443 823 731 C
<b>gasket</b>					
965	10 corner	90-94	3.35		443 823 731 A
966	11 front	90-94R	92.10		441 823 736 D
967	90-94L	92.10			441 823 735 D
128	12 Grille	90-94	259.10	0.4	441 853 651 C2ZZ
<b>Emblem</b>					
1319	"V8"	90-94	38.70	0.2	441 853 736 2ZZ
1051	Under hood lamp	90-94	21.85	0.3	4A0 947 319
968	Alarm switch	90-94	4.00	0.3	893 947 561 A
969	sleeve	90-94	2.80		441 947 567
970	gasket	90-94	2.70		893 947 565 A
1447	Alarm	90-94			SEE FOOTNOTE

† See ELECTRICAL group for part listing.  
# After hood is removed.

CONTINUED

Please refer to the "GUIDE TO ESTIMATING" section of this Estimating Guide (pages 4 through 52) for a detailed explanation of the parts information and operation times listed above.