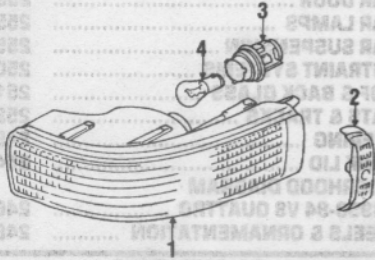


FRONT LAMPS (CONT)

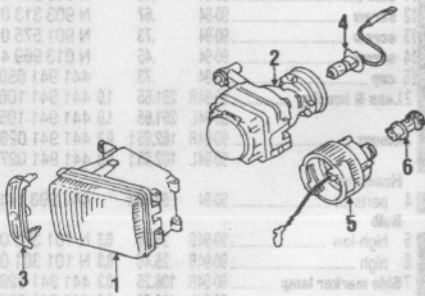
951	14 Valve	90-94	5.45	113 955 975 C
952	15 Retainer	90-94	.92	811 971 848 E



PARK LAMPS

25	1 Lamp assy	90-94R	74.60	0.7 441 953 050 D
26		90-94L	74.60	0.7 441 953 049 D
27	2 Trim	90-94R	15.60 #	0.2 441 941 770 B
28		90-94L	15.60 #	0.2 441 941 769 B
29	3 Socket	90-94	11.10	441 941 156 A
30	4 Bulb	90-94	2.00	N 017 738 2

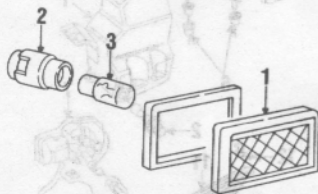
After lamp is removed.



FOG LAMPS

31	1 Lens	90-94R	59.65 #	0.7 441 941 724
32		90-94L	59.65 #	0.7 441 941 723
33	2 Reflector	90-94R	153.70 #	0.7 441 941 728
34		90-94L	153.70 #	0.7 441 941 727
35	3 Trim	90-94R	7.85	441 941 740
36		90-94L	7.85	441 941 739 B
37	4 Bulb	90-94	5.45	0.3 N 017 762 2
38	5 Cap	90-94	18.90	441 941 759
707	seal	90-94	4.60	441 941 715
39	6 Contact housing	90-94	6.85	813 972 923

Time is for assembly.



SIGNAL LAMPS

147	1 Turn signal	90-94B	7.50	0.3 161 949 117
148	2 Socket	90-94	2.40	161 949 111
149	3 Bulb	90-94	1.70	N 017 753 2

FRAME

PARTS AND R&R OPERATIONS

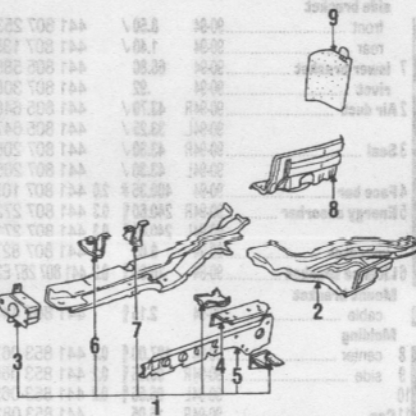
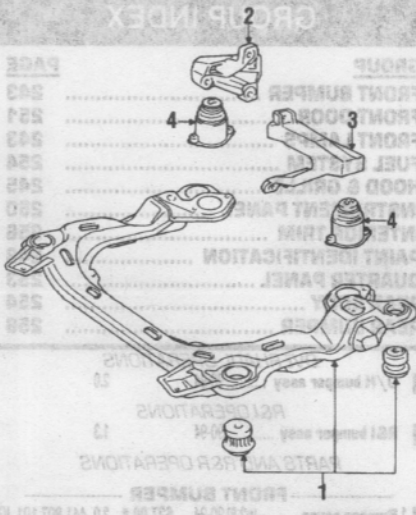
SUB FRAME

54	1 Subframe	90-94	636.00	s 4.5 441 399 313 F
	rubber mount			
55	front	90-94	26.25	443 399 415 A
56	rear	90-91	47.25	443 399 419 A
1098		92-94	53.30	441 399 419 B
	support			
57	2 auto trans	90-94R	74.75 #m0.8	441 399 104 E
58	3	90-94L	84.15 #m0.8	441 399 113 B
745	manual trans	90-94R	180.20 #m0.8	441 399 104 G
746		90-94L	223.00 #m0.8	441 399 113
59	4 insulator	90-94	159.35	m1.5 441 399 153 C

After mount is removed.

ILLUSTRATION LOCATED IN FOLLOWING COLUMN

GROUP INDEX



SIDE MEMBER

60	1 Front sidemember	(p1.0) 90-94R	581.00	#s10.0 441 803 114 B
61		(p1.0) 90-94L	581.00	#s10.0 441 803 113 C
62	2 Rear sidemember	(p1.0) 90-94R	471.00	#s 6.5 441 803 104 B
63		(p1.0) 90-94L	471.00	#s 6.5 441 803 103 B
	Reinforcement			
64	3 front lower	90-94R	41.65	441 805 678 E
65		90-94L	42.90	441 805 677 E
66	4 upper	90-94	15.60	443 803 121 A
67	5 side	90-94R	233.65	441 803 156 A
68		90-94L	240.65	441 803 155 A
	Engine bracket			
69	6 front	90-94R	49.30	441 803 030 A
70		90-94L	49.30	441 803 029 A
71	7 rear	90-94R	49.30	441 803 124 A
72		90-94L	49.30	441 803 123 A
	Side shield			
73	8 heat	90-94R	25.10	0.3 441 804 164
74		90-94L	25.10	0.3 441 804 163 C
75	9 rear	90-91R	13.70	0.3 443 863 188 D
76		90-91L	13.55	0.3 431 863 187 A
1107	manual trans	92-94R	13.70	0.3 443 863 188 D
1108		92-94L	74.15	0.3 441 863 187 A
1105	automatic trans	92-94R	13.70	0.3 443 863 188 D
1106		92-94L	13.55	0.3 431 863 187 A
1400	Tow hook	90-94	59.05	441 803 169 B

After bumper, headlamp, fender, suspension and all necessary bolted on parts are removed.

† Does not include time to gain access.

After fender, suspension and all necessary bolted on parts are removed.

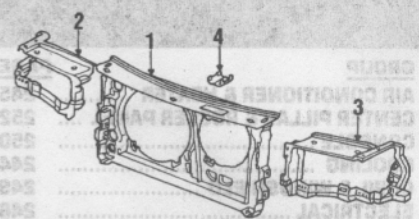
† Included in sidemember assembly.

COOLING

PARTS AND R&R OPERATIONS

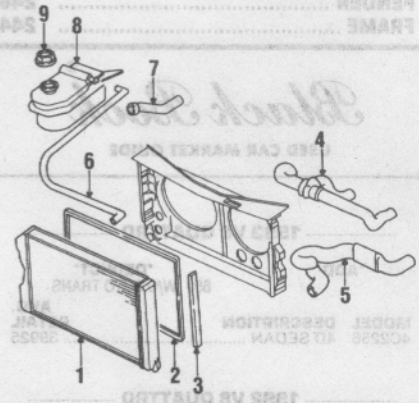
RADIATOR SUPPORT

77	1 Frame assy	90-94	459.20 #	2.5 441 805 571 E
78	2 Headlamp frame	90-94R	147.85	0.4 441 805 856 C
79	3	90-94L	147.85	0.4 441 805 855 C



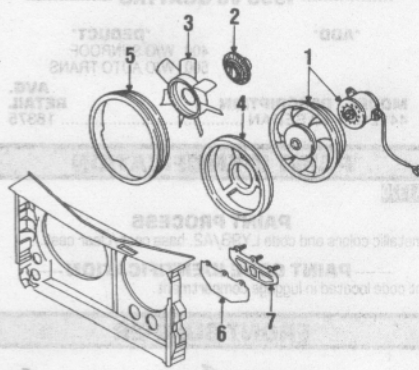
80	4 Sleeve	90-94	3.35	443 823 488
----	----------	-------	------	-------------

After bumper, grille, headlamps and all necessary bolted on parts are removed.



RADIATOR

81	1 Radiator	90-94	540.00	m1.9 441 121 251 J
	mount			
82	upper	90-94	3.30	441 121 273 G
83	lower	90-94	18.85	441 121 273 H
84	2 gasket	90-94	4.50	441 805 875
85	3	90-94	7.60	441 805 875 B
	Hose			
86	4 upper	90-94	133.65	m0.6 441 121 055
87	5 lower	90-94	75.40	m0.8 441 121 101
88	6 to reservoir	90-94	16.65	441 121 109 H
89	7 heater	90-94	16.65	441 121 109 G
90	8 Reservoir	90-94	63.90	m0.4 441 121 403
91	9 Cover	90-94	11.10	443 121 321
1305	Hose	90-94	16.65	441 121 109 G



COOLING FAN

92	1 Fan & motor	90-94	343.60 #m0.8	441 959 455 D
93	Fan	90-94	51.05 #m0.8	441 959 465
94	2 Clutch	90-94	198.30	m0.7 077 121 302 D
95	3 Fan blade	90-94	49.45	m0.5 077 121 303 A
750	Shaft	90-94	149.90	077 121 211
96	4 Fan shroud	90-94	42.35	441 121 197 D
97	5 Cowl panel	90-94	31.45	441 121 197 C
	Flap			
751	6 rubber	90-94	3.60	441 121 225 C
752	7 bracket	90-94	4.05	441 121 227

BELTS

98	Serpentine belt	90-94	35.85	m0.5 077 121 031 A
----	-----------------	-------	-------	--------------------

WATER PUMP

99	Pump	90-94	325.00	m4.0 077 121 004 A
----	------	-------	--------	--------------------

Time is for overhaul.