

GROUP INDEX

GROUP	PAGE
AIR CONDITIONER & HEATER	245
CENTER PILLAR & ROCKER PANEL	252
CONSOLE	250
COOLING	244
COWL & WINDSHIELD	249
ELECTRICAL	246
EMISSION SYSTEM	248
ENGINE	247
EXHAUST SYSTEM	248
FENDER	246
FRAME	244

GROUP	PAGE
FRONT BUMPER	243
FRONT DOOR	251
FRONT LAMPS	243
FUEL SYSTEM	254
HOOD & GRILLE	245
INSTRUMENT PANEL	250
INTERIOR TRIM	256
PAINT IDENTIFICATION	243
QUARTER PANEL	253
REAR BODY	254
REAR BUMPER	256

GROUP	PAGE
REAR DOOR	253
REAR LAMPS	255
REAR SUSPENSION	255
RESTRAINT SYSTEMS	250
ROOF & BACK GLASS	251
SEATS & TRACKS	252
STEERING	249
TRUNK LID	254
UNDERHOOD DIAGRAM	
1990-94 V8 QUATTRO	246
WHEELS & ORNAMENTATION	248

Black Book

USED CAR MARKET GUIDE

1993 V8 QUATTRO

ADD 650 W/O AUTO TRANS *DEDUCT*

MODEL DESCRIPTION	AVG. RETAIL
4C2256 4D SEDAN	39925

1992 V8 QUATTRO

ADD 600 W/O AUTO TRANS *DEDUCT*

MODEL DESCRIPTION	AVG. RETAIL
4C2256 4D SEDAN	32450

1991 V8 QUATTRO

ADD 450 W/O SUNROOF 550 W/O AUTO TRANS *DEDUCT*

MODEL DESCRIPTION	AVG. RETAIL
4C2216 4D SEDAN	23925

1990 V8 QUATTRO

ADD 400 W/O SUNROOF 500 W/O AUTO TRANS *DEDUCT*

MODEL DESCRIPTION	AVG. RETAIL
441216 4D SEDAN	18375

PAINT IDENTIFICATION

ERA1320

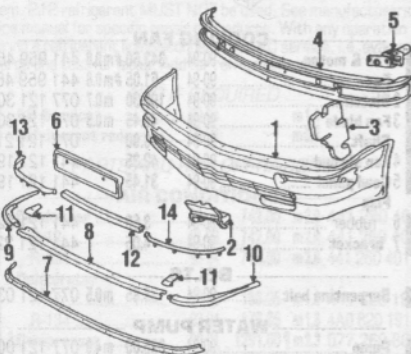
PAINT PROCESS

All metallic colors and code LY9B/A2, base coat/clear coat.

PAINT CODE IDENTIFICATION

Paint code located in luggage compartment.

FRONT BUMPER



REFINISHING NOTES

1 Refn edges 90-94 (p.5)

OVERHAUL OPERATIONS

5 O/H bumper assy 90-94 2.0

R&I OPERATIONS

4 R&I bumper assy 90-94 1.3

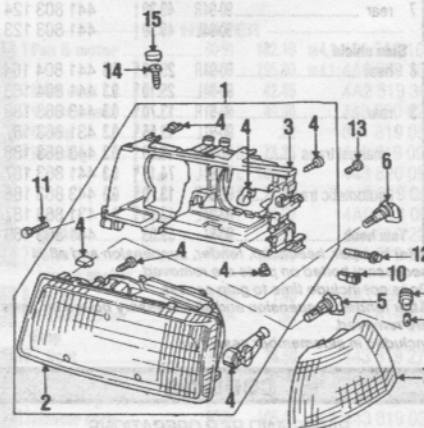
PARTS AND R&R OPERATIONS

FRONT BUMPER

6	1 Bumper cover side bracket	(p.2) 90-94	627.00 #	2.0	441 807 101 JGRU
1297	front	90-94	8.50 ✓		441 807 253 B
1298	rear	90-94	1.40 ✓		441 807 135
16	7 lower bracket	90-94	66.80		441 805 585 D
1299	rivet	90-94	.92		441 807 300 A
8	2 Air duct	90-94R	43.70 ✓		441 805 648 B
9		90-94L	33.25 ✓		441 805 647 B
10	3 Seal	90-94R	43.30 ✓		441 807 206 B
11		90-94L	43.30 ✓		441 807 205 B
12	4 Face bar	90-94	400.35 #	2.0	441 807 105 F
13	5 Energy absorber	90-94R	240.60 #	0.3	441 807 272 D
14		90-94L	240.60 #	0.3	441 807 271 D
742	insulator	90-94	8.05		441 807 827
15	6 License bracket	90-94	16.60 #	0.2	441 807 287 E3FZ
1300	Mount bracket cable	90-94	2.15 #		441 807 447
17	8 Molding center	90-94	127.00 #	0.2	441 853 067 E
18	9 side	90-94R	96.55 #	0.2	441 853 066 E
19		90-94L	96.55 #	0.2	441 853 065 E
20	11 Cap	90-94L	16.05		441 853 082 B
21		90-94L	16.05		441 853 081 B
22	12 Trim center	90-94	26.70 #	0.2	441 853 037 B
743	retainer upper	90-94	6.65		441 853 139
1301	lower	90-94	16.65		441 805 513 A
23	13 Trim end	90-94R	50.40 #	0.2	441 805 582 G
24	14	90-94L	50.40 #	0.2	441 805 581 G
1302	Corner panel	90-94R	3.30 #		441 805 584
1303		90-94L	3.30 #		441 805 583

Time is for overhaul.
 ✓ After bumper is removed.
 ✓ Included in overhaul time.

FRONT LAMPS



40 Aim headlamps 90-94 0.5

R&I OPERATIONS

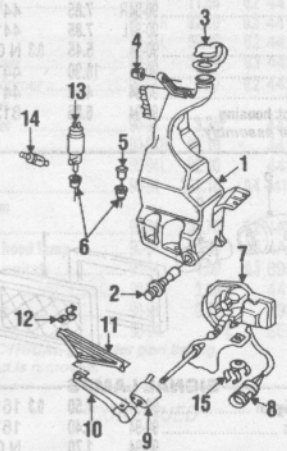
41 R&I headlamp assy one side 90-94B 1.5

PARTS AND R&R OPERATIONS

HEADLAMPS

42	1 Headlamp assy	90-94R	419.30	1.5	441 941 030 F
43		90-94L	419.30	1.5	441 941 029 F
1284	10 nut	90-94	1.50		811 807 577 K
1285	11 bolt	90-94	.45		N 010 217 10
1286	12 screw	90-94	.67		N 903 313 01
1287	13 screw	90-94	.73		N 901 575 01
1288	14 screw	90-94	.45		N 013 969 4
1289	15 cap	90-94	.73		441 941 659
44	2 Lens & housing	90-94R	261.65	1.0	441 941 106
45		90-94L	261.65	1.0	441 941 105
46	3 Mount	90-94R	182.95 #	0.3	441 941 028 A
47		90-94L	182.95 #	0.3	441 941 027 A
1283	4 Headlamp parts kit	90-94	59.10 #		441 998 141
48	5 high-low bulb	90-94B	25.40	0.3	N 101 300 01
49	6 high	90-94B	25.40	0.3	N 101 301 01
50	7 Side marker lamp	90-94R	108.25	0.3	441 941 626 B
51		90-94L	108.25	0.3	441 941 625 B
52	8 Bulb	90-94	1.80		N 017 718 5
53	9 Socket	90-94	4.60		441 941 669

Available as a parts kit only.
 † After lamp assembly is removed.



WASHER COMPONENTS

709	1 Container	90-94	132.30	0.4	441 955 451 A
710	2 Level sensor	90-94	33.95		443 955 523 A
945	3 Cap	90-94	1.95		857 955 455
946	4 Grommet	90-94	.58		893 955 247
947	5 Plug	90-94	.45		443 955 647 A
948	6 Washer	90-94	1.10		443 955 465
715	7 Motor	90-94R	244.60	m.1.3	441 955 146 C
716		90-94L	244.60	m.1.3	441 955 145 C
949	8 Contact housing	90-94	5.00		813 972 930
744	9 Spray jet	90-94R	15.60	0.3	441 955 156 B
711		90-94L	15.60	0.3	441 955 155 B
712	10 Wiper arm	90-94R	53.65	0.3	441 955 407 E
713		90-94L	53.65	0.3	441 955 407 D
714	11 Blade	90-94	13.20	0.2	441 955 425 A
950	12 retainer clip	90-94	1.00		441 955 631
708	13 Washer pump	90-94	42.95		431 955 651

CONTINUED

Please refer to the "GUIDE TO ESTIMATING" section of this Estimating Guide (pages 4 through 52) for a detailed explanation of the parts information and operation times listed above.