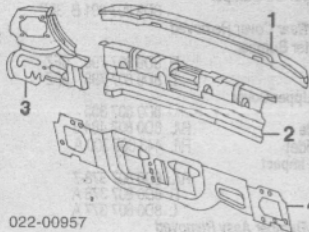


022-00959

1999	To VIN X199999	8D5 813 511 B	137.60
	From VIN X200001	8D5 813 511 C	137.60
2000-02		8D5 813 511 C	137.60

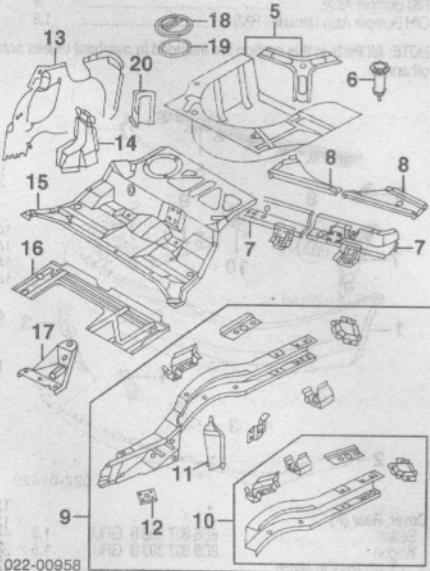
SHEET METAL WAGON

Refinish Rear Body Panel Complete	2.0
Refinish Lower Apron Panel	5
Refinish Rear Body Panel	5
Refinish Lamp Mount Panel	R/L 5
Refinish Rear Lower Reinf	5



022-00957

1 Panel, Apron Lower	8D9 813 307 A	#3.0	59.65
#Deduct 1.5 w/Rear Body Panel Removed			
2 Panel, Rear Body	8D9 813 331 C	#5.0	63.40
#Deduct .5 for Each Lamp Mount Panel Removed			
3 Panel, Lamp Mount	R 8D5 809 600 A	3.0	80.20
	L 8D5 809 599 A	3.0	80.20
4 Reinf, Rear Lower	8D0 813 341	#3.0	102.25
#Deduct 1.5 w/Rear Body Panel Removed			

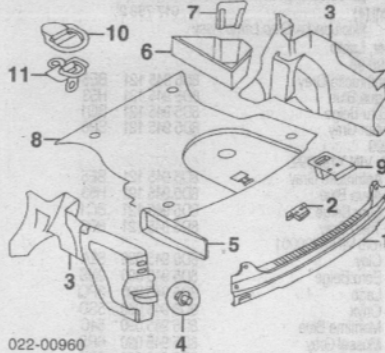


022-00958

5 Well, Spare Wheel			
FWD	8D0 802 088 D	#12.5	260.20
AWD Quattro	8D0 802 088 E	#12.5	260.20
#w/Rear Body Panel, Interior Trim & Necessary Bolted Parts & Assemblies Removed			
6 Bolt, Wheel Mounting	8D0 803 899		17.25
#Order by Application			

7 Xmbr, Floor Pan FWD	R 8D0 803 292	59.50	
	L 8D0 803 291 A	61.30	
AWD Quattro	R 8A0 803 292	96.85	
	L 8A0 803 293 B	59.50	
8 Xmbr, Spare Well FWD	R/L 8D0 803 348-7	61.30	
AWD Quattro	R/L 8A0 803 346-5	55.40	
9 Sidemember Assy FWD	R 8D0 803 402 E	s #8.5 277.15	
	L 8D0 803 401 E	s #8.5 277.15	
AWD Quattro	R 8D0 803 402 F	s #8.5 256.90	
	L 8D0 803 401 F	s #8.5 256.90	
#w/Floor Pan & Spare Wheel Well Removed Deduct 3.0			
10 Rail, Rear Section (a) FWD	R/L 8D0 803 404-3	s	125.40
(a) AWD-Quattro-Serviced w/Sidemember Assy			
11 Mount, Hinged Backrest FWD	R 8D0 802 226	4.50	
	L 8D0 802 225	6.30	
AWD Quattro	R 8D0 802 226 A	5.60	
	L 8D0 802 225 A	5.60	
12 Reinf, Belt Mount FWD	R/L 443 803 377 B	5.10	
#Included w/Sidemember Assy			
13 Wheelhouse, Inner-See Quarter Panel Section			
14 Reinf, Rear FWD	R 8D0 804 480	26.85	
	L 8D0 804 483	26.95	
AWD Quattro	R/L 8A0 804 484-3	25.65	
15 Pan, Floor FWD			
w/Folding Seat Back	8D0 803 093 J	#16.5	144.95
w/o Folding Seat Back	8D0 803 093 H	#16.5	144.95
AWD Quattro	8D0 803 093 K	#16.5	144.95
#w/Spare Wheel Well Removed Deduct 3.5			
16 Lining, Panel FWD	8D0 825 215 C	43.95	
17 Support, Floor FWD	8D0 803 963	6.90	
18 Cover, Fuel Gauge	6X0 803 959	11.55	
19 Seal, Cover	321 803 963	3.00	
20 Mount, Backrest-Serviced w/Sidemember Assy			

INTERIOR TRIM SEDAN

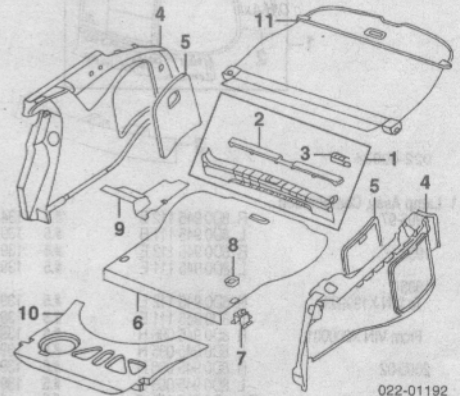


022-00960

1 Panel, Lock Carrier Trim			
1996-98	8D5 863 485 B 01C	.3	25.40
1999			
To VIN X199999	8D5 863 485 B 01C	.3	25.40
From VIN X200001	8D5 863 471 01C	.3	42.35
2000-02	8D5 863 471 01C	.3	42.35
2 Stop, Lid-See Luggage Lid Section			
3 Panel, Whlsh Trim FWD	R 8D5 863 882 E E94	.4	116.75
	L 8D5 863 881 E E94	.4	119.90
AWD Quattro	96-97 R 8D5 863 882 H E94	.4	116.75
	L 8D5 863 881 H E94	.4	116.75
98-99 R 8D5 863 882 E E94	.4	116.75	
	L 8D5 863 881 E E94	.4	119.90
00-02 R 8D5 863 882 P 36R	.4	119.90	
	L 8D5 863 881 P 36R	.4	119.90
#Order by Application			
4 Clip, Panel (2/Side)	96 R/L 8D5 853 909 A 01C	.58	
	97-02 R/L 893 853 909 B 01C	1.00	
5 Lining, Trunk w/CD Changer w/o CD Changer	8D5 863 511 A E94	29.25	
	8D5 863 511 E94	7.05	
6 Shelf, Side FWD	8D5 864 132 E94	48.15	
AWD Quattro			
1996-97	8D5 864 132 G E94	46.90	
1998	8D5 864 132 E94	48.15	
1999			
To VIN X199999	8D5 864 132 E94	48.15	
From VIN X200001	8D5 864 132 G 36R	48.15	
2000-02	8D5 864 132 G 36R	48.15	
	8D5 864 134 E94	23.05	
7 Brkt, Shelf			
8 Lining, Trunk Floor			
1996-98	8D5 863 463 E E94	135.40	
1999			
To VIN X199999	8D5 863 463 E E94	135.40	
From VIN X200001	8D5 863 463 E E94	135.40	
FWD			
w/Folding Seat Back	8D5 863 463 AD 36R	135.40	
w/o Folding Seat Back	8D5 863 463 AA 36R	135.40	

AWD Quattro	8D5 863 463 AG 36R	135.40
2000-02 FWD		
w/Folding Seat Back	8D5 863 463 AD 36R	135.40
w/o Folding Seat Back	8D5 863 463 AA 36R	135.40
AWD Quattro	8D5 863 463 AG 36R	135.40
Insert, Temp Spare	8D0 863 327	16.20
9 Plate, Handle		
1996-98	8D5 863 627 A 01C	3.00
1999		
To VIN X199999	8D5 863 627 A 01C	3.00
From VIN X200001	4B5 863 627 B 01C	3.00
2000-02	4B5 863 627 B 01C	3.00
10 Frame, Tie Down-Not Applicable		
11 Eye, Tie Down	8D5 867 261 A	7.50

INTERIOR TRIM WAGON



022-01192

1 Panel Assy, Lock Carrier Trim			
1998			
Lago	8D9 863 471 C 80N	.3	58.75
Musset	8D9 863 471 K 3PF	.3	78.75
Onyx	8D9 863 471 K 1EJ	.3	78.75
Royal Blue	8D9 863 471 F 9QP	.3	58.75
1999			
To 5-99			
Clay	8D9 863 471 F 44A	.3	78.75
Musset	8D9 863 471 K 3PF	.3	78.75
Onyx	8D9 863 471 K 1EJ	.3	78.75
Royal Blue	8D9 863 471 F 9QP	.3	58.75
From 6-99			
Clay	8D9 863 471 K 44A	.3	78.75
Musset	8D9 863 471 K 3PF	.3	78.75
Onyx	8D9 863 471 K 1EJ	.3	78.75
Royal Blue	8D9 863 471 F 9QP	.3	78.75
2000-02			
Clay	8D9 863 471 K 44A	.3	78.75
Musset	8D9 863 471 K 3PF	.3	78.75
Onyx	8D9 863 471 K 1EJ	.3	78.75
Royal Blue	8D9 863 471 K 9QP	.3	78.75
2 Trim, Apron			
3 Buffer	R/L 8D9 863 238-7		3.00
#Included w/Lock Carrier Trim Panel Assy			
4 Panel Assy, Wheelhouse Trim	R 8D9 863 880 E FCW	.4	154.80
	L 8D9 863 879 G FCW	.4	154.80
5 Cover, Whlsh Trim Panel (a)	R 8D9 863 990 9DP		34.70
	L 8D9 863 989 9DP		34.70
#Onyx listed, Order by Application			
(a) Included w/Wheelhouse Trim Panel Assy			
6 Lining, Trunk Floor			
1998			
Musset	8D9 863 462 A 8PF		219.90
Onyx	8D9 863 462 C 7EX		219.90
Royal Blue	8D9 863 462 A 9LE		219.90
Terra Brown	8D9 863 462 A 1JP		219.90
1999			
To VIN X199999			
Musset	8D9 863 462 A 8PF		219.90
Onyx	8D9 863 462 C 7EX		219.90
Royal Blue	8D9 863 462 A 9LE		219.90
Terra Brown	8D9 863 462 A 1JP		219.90
From VIN X200001			
Clay	8D9 863 462 C 52F		219.90
Musset	8D9 863 462 C 8PF		219.90
Onyx	8D9 863 462 C 7EX		219.90
Royal Blue	8D9 863 462 C 9LE		219.90
2000-02			
Clay	8D9 863 462 C 52F		219.90
Musset	8D9 863 462 C 8PF		219.90
Onyx	8D9 863 462 C 7EX		219.90
Royal Blue	8D9 863 462 C 9LE		219.90
7 Brkt, Tie-Down Eye	R 8D9 864 202		4.90
	L 8D9 864 201 B		4.90
8 Eye, Tie Down	R/L 8D9 864 203 6DP		9.10
9 Tray (Left)	8D9 864 897 01C		9.10
10 Insert	8D9 863 599		54.75
11 Sunshade, Luggage Compartment			
Basalt	8D9 863 553 B 3WS		395.15
Cabernet	8D9 863 553 B 5TE		395.15
Maritime Blue	8D9 863 553 B 7SY		395.15
Onyx	8D9 863 553 B 6SP		395.15