

AUDI A4/S4 1996-02

REAR DRIVE AXLE Cont'd

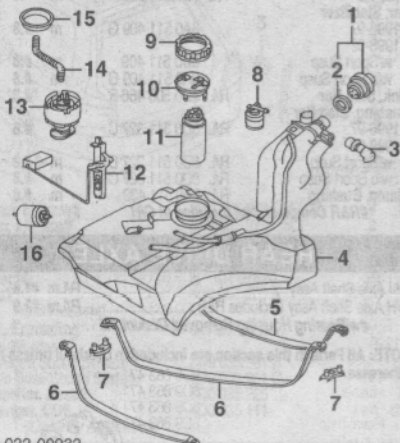
1996-99	R/L 443 407 357 A	m	2.00
2000-02			
5 Speed Trans	R/L 443 407 357 A	m	2.00
6 Speed Trans	R/L 443 407 357	m	1.95
Bolt, Inner CV			
1996-99	R/L 893 407 237	m	1.30
2000-02			
5 Speed Trans	R/L 893 407 237	m	1.30
6 Speed Trans	R/L N 906 682 01	m	1.95
8 Differential, Rear			
3.89 Axle Ratio	01H 500 040 J	m #2.2	3388.99
4.11 Axle Ratio	01H 500 040 K	m #2.2	3388.99
<i>Order by Application</i>			
<i>#Not Included in O/H Axle</i>			
9 Mount, Differential	8A0 599 133 B	#1.0	123.10
<i>#Includes R&R/R&R Diff'l Crossmember, Not Included in O/H</i>			
10 Crossmember, Diff'l	8D0 599 289	#8	64.35
<i>#Not Included in O/H Axle</i>			

FUEL TANK

FWD

R&I Fuel Tank..... 2.9

NOTE: R&R/R Does Not include drain and refill.



022-00932

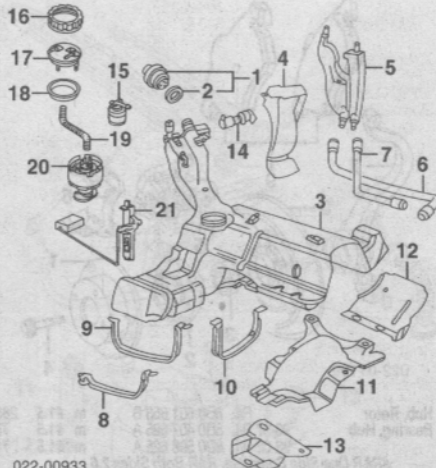
1 Cap Assy, Filler			
1996-98	1H0 201 553 B		6.15
1999			
To VIN X300000	1H0 201 553 B		6.15
From VIN X300001	4B0 201 550 G		31.40
2000-02	4B0 201 550 G		31.40
w/o Pwr Locks			
Specific Coding	1H0 201 551		41.20
Random Coding	191 201 551 A		32.55
<i>Order by Key Code</i>			
2 Seal, Filler Cap (a)	191 201 557		9.60
<i>(a) Included w/Filler Cap Assy</i>			
3 Valve, Bleeder	191 201 136 A		12.15
4 Tank, Fuel			
96	8D0 201 075 K	m #3.2	336.20
97-99	8D0 201 075 P	m #3.2	336.20
00-02	8D0 201 060 B	m #3.2	605.00
	8D0 201 654 C		16.40
5 Strap, Filler Neck	R 8D0 201 654 B		16.40
6 Strap, Tank Support	L 8D0 201 653 B		11.55
1998			
To VIN W007799	R 8D0 201 654 B		16.40
	L 8D0 201 653 B		11.55
From VIN W007800	R 8D0 201 654 AA		16.40
	L 8D0 201 653 B		11.55
1999-02	R 8D0 201 654 AA		16.40
	L 8D0 201 653 B		11.55
7 Brkt, Strap	R/L 8D0 201 661		2.15
8 Valve, Rollover	8D0 201 751 A		31.95
9 Nut, Union	321 201 375 A		10.00
10 Catch, Fuel			
1.8L Eng	8D0 201 319 C		51.25
2.7L, 2.8L Eng	8D0 201 319		51.25
11 Pump, Fuel	8D0 906 089	m #2.2	219.20
12 Gauge, Fuel Tank	8D0 919 673 C	m #2.2	90.80
<i>#R&R Complete, Included in R&R Fuel Tank</i>			
13 Reservoir, Pump-Not Serviced			
14 Hose, Fuel	8D0 201 351 A		23.90
15 Seal, Reservoir	1J0 919 133		8.25
16 Filter, Fuel	96-97 441 201 511 C		26.55
	98-02 1H0 201 511 A		18.70

AWD QUATTRO

R&I Fuel Tank..... #2.9

#w/Rear Suspension Assy Removed

NOTE: R&R/R Does Not include drain and refill.



022-00933

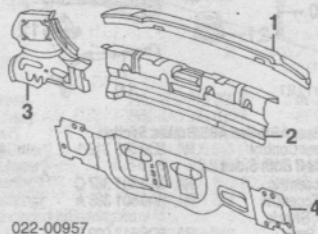
1 Cap Assy, Filler			
1996-98	1H0 201 553 B		6.15
1999			
To VIN X300000	1H0 201 553 B		6.15
From VIN X300001	1J0 201 553 A		10.85
2000-02	4B0 201 550 G		31.40
	191 201 557		9.60
<i>Included w/Filler Cap Assy</i>			
2 Seal, Filler Cap			
<i>Included w/Filler Cap Assy</i>			
3 Tank, Fuel			
1996-97			
1.8L Eng	8D0 201 075 Q	m #3.2	560.00
2.8L Eng	8D0 201 075 Q	m #3.2	560.00
1998-99	8D0 201 075 Q	m #3.2	560.00
2000-02	8D0 201 060	m #3.2	605.00
<i>#w/Rear Suspension Assy Removed</i>			
4 Shield, Filler Neck	8D0 201 307 B		40.15
5 Reservoir, Overflow	96-99 8D0 201 303 B		64.45
6 Tube, Frl Lwr Breather	96-99 8D0 201 167 C		26.85
7 Tube, Rear Lwr Breather	96-99 8D0 201 163 C		26.85
<i>Strap, Front Tank Extension Support</i>			
8 Front	8D0 201 653 G		21.40
9 Rear	8A0 201 654 D		35.75
10 Strap, Right Rear Tank	8D0 201 654 Q		35.25
11 Brkt, Left Tank Support	8A0 201 661 B		75.06
12 Shield, Tank Upper	8A0 201 308 M		59.85
13 Shield, Tank Lower			
1996-97	8A0 201 308 K		36.55
1998			
To VIN W030782	8A0 201 308 K		36.55
From VIN W030783	8D0 201 308 A		59.85
1999-02	8D0 201 308 A		59.85
14 Valve, Bleeder	6X0 201 136		8.35
15 Valve, Rollover	8D0 201 751 A		31.95
16 Nut, Union	321 201 375 A		10.00
17 Fitting, Fuel Feed			
1.8L Eng	8D0 201 319 C		51.25
2.7L, 2.8L Eng	8D0 201 319		51.25
18 Seal, Reservoir	1J0 919 133		8.25
19 Hose, Fuel	8D0 201 351 A		23.90
20 Pump, Fuel	8D0 906 089 A	m #2.2	265.25
21 Gauge, Fuel Tank	8D0 919 673 B	m #2.2	58.70
<i>#R&R Complete, Included in R&R Fuel Tank</i>			

REAR BODY

Use Procedure Explanations 26 and 28 with the following text.

SHEET METAL SEDAN

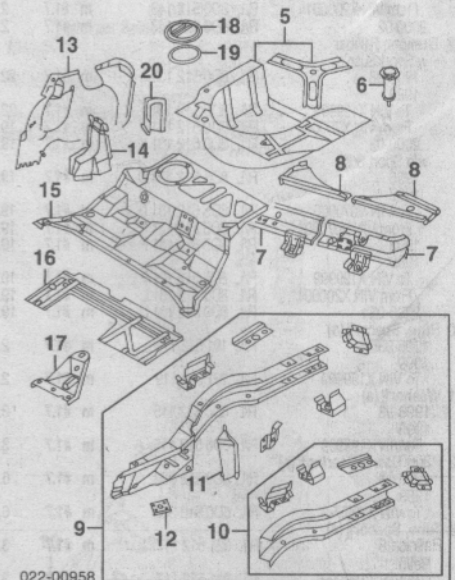
Refinish Rear Body Panel Complete.....	2.0
Refinish Lower Apron Panel.....	.5
Refinish Rear Body Panel.....	.5
Refinish Lamp Mount Panel.....	R/L .5
Refinish Rear Lower Reinf.....	.5



022-00957

1 Panel, Apron Lower	8D5 813 307	#3.0	59.65
<i>#Deduct 1.5 w/Rear Body Panel Removed</i>			
2 Panel, Rear Body	8D5 813 331 B	#5.0	63.40
<i>#Deduct .5 for Each Lamp Mount Panel Removed</i>			
3 Panel, Lamp Mount			
R	8D5 809 600 A	3.0	80.20
L	8D5 809 599 A	3.0	80.20

4 Reinf, Rear Lower 8D0 813 341 #3.0 102.25
#Deduct 1.5 w/Rear Body Panel Removed



022-00958

5 Well, Spare Wheel			
FWD			
	96 8D0 802 088	#12.5	260.20
	97-02 8D0 802 088 D	#12.5	260.20
AWD Quattro			
	96 8D0 802 088 A	#12.5	260.20
	97-02 8D0 802 088 E	#12.5	260.20
<i>#w/Rear Body Panel, Interior Trim & Necessary Bolted Parts & Assemblies Removed</i>			
6 Bolt, Wheel Mounting	96 8D0 803 899 C		16.85
	97 8D0 803 899 F		17.25
	98-99 4A0 803 899 L		11.45
	00-02 8D0 803 899		17.25
7 Xmbr, Floor Pan			
FWD			
	R 8D0 803 292		59.50
	L 8D0 803 291 A		61.30
AWD Quattro			
	96-97 R/L 8A0 803 292-1		96.85
	98-02 R 8A0 803 292		96.85
	L 8A0 803 293 B		59.50
8 Xmbr, Spare Well			
FWD			
	R/L 8D0 803 348-7		61.30
AWD Quattro			
	R/L 8A0 803 348-5		55.40
9 Sidemember Assy			
FWD			
	R 8D0 803 402 E	s #8.5	277.15
	L 8D0 803 401 E	s #8.5	277.15
AWD Quattro			
	R 8D0 803 402 F	s #8.5	256.90
	L 8D0 803 401 F	s #8.5	256.90
<i>#w/Floor Pan & Spare Wheel Well Removed Deduct 3.0</i>			
10 Rail, Rear Section			
FWD			
	R/L 8D0 803 404-3	s	125.40
11 Mount, Hinged Backrest			
FWD			
	R 8D0 802 226		4.50
	L 8D0 802 225		6.30
AWD Quattro			
	R 8D0 802 226 A		5.60
	L 8D0 802 225 A		5.60
	R 8D0 802 225 A		5.60
	L 8D0 802 226 A		5.10
12 Reinf, Belt Mount			
<i>Included w/Sidemember Assy</i>			
13 Wheelhouse, Inner-See Quarter Panel Section			
14 Reinf, Rear			
FWD			
	R 8D0 804 480		26.85
	L 8D0 804 483		26.95
AWD Quattro			
	R/L 8A0 804 484-3		25.65
15 Pan, Floor			
FWD			
	w/Folding Seat Back 8D0 803 093 J	#16.5	144.95
	w/o Folding Seat Back 96-97 8D0 803 093	#16.5	144.95
	98-02 8D0 803 093 H	#16.5	144.95
AWD Quattro			
	8D0 803 093 K	#16.5	144.95
<i>#w/Spare Wheel Well Removed Deduct 3.5</i>			
16 Lining, Panel	8D0 825 215 A		43.95
17 Support, Floor			
FWD			
	8D0 803 983		6.90
18 Cover, Fuel Gauge	6X0 803 959		11.55
19 Seal, Cover	321 803 963		3.00
20 Mount, Backrest-Serviced w/Sidemember Assy			

Illustration Located in Next Column

21 Crossmember, Upper Rear	8D5 813 531		120.80
22 Shelf, Rear Parcel	8D5 813 514 A		128.65
23 Panel, Outer Extension			
	R 8D5 809 552 A		25.90
	L 8D5 809 551 A		25.90
24 Crossmember, Front	8D5 813 528		100.40
25 Brkt, Panel Upper			
FWD			
	R/L 8D0 809 304-3		18.05
AWD Quattro			
	R 8D0 809 304 A		18.05
	L 8D0 809 303 A		18.05
26 Panel, Backrest Lower			
1998	8D5 813 511 B		137.60