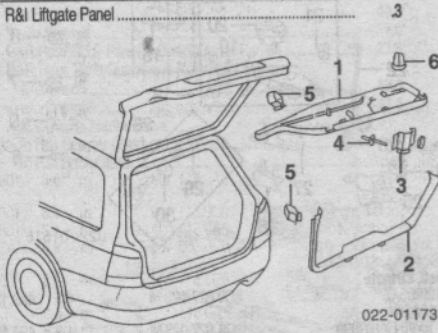


LIFTGATE Cont'd

SHEET METAL/EXTERIOR TRIM Cont'd

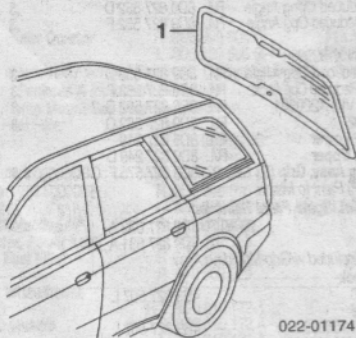
2000-02	8D9 827 573	#3	100.67
29 Cylinder, Lock Serviced w/Cylinder & Key Assy			
30 Gasket	8D9 827 594		4.75
*Included w/Cylinder & Key Assy			
Cylinder, Lock (a)			
w/Central Lock System			
1998	107 862 055 CA	#3	221.25
1999			
To VIN X199999	107 862 055 CA	#3	221.25
From VIN X200001	107 827 573 CB	#3	118.90
2000-02	107 827 573 CB	#3	118.90
*w/Liftgate Panel Removed			
(a) Coded to Vehicle, Dealer Contact Required			
31 Weatherstrip	8D9 827 705 A	#4	34.30

INTERIOR TRIM



R&I Liftgate Panel		#3	
1 Panel, Liftgate	8D9 867 979 C FOW	#4	115.85
2 Trim, Liftgate	8D9 867 973 6DP	#3	44.00
*Oryx listed, Order by Application			
3 Bracket, Panel	8D9 867 737 A		2.50
4 Rivet (4)	N 104 076 01		.27
5 Clip	4DQ 967 276 A		.52
*As Required			
6 Nut, Expanding Sub-Woofers	811 807 577 C		.73
w/Bose Sound System	8D9 035 381 B		1246.00
w/o Bose Sound System	8D9 035 381 C		357.10
Amplifier, Bose	8D0 035 225		786.00
Changer, CD	4D0 035 111		d595.00
*Order by Application			

GLASS & PARTS

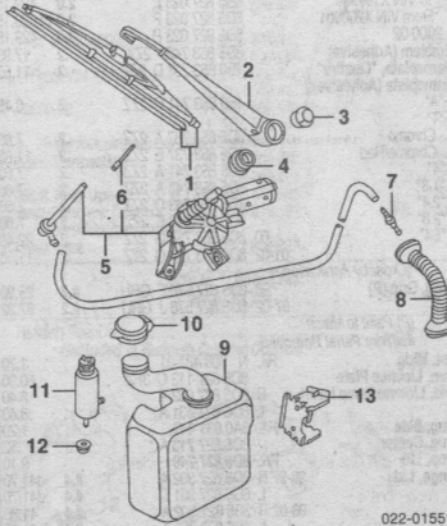


1 Glass, Liftgate			
Audi (Heated/Green Tint)	8D9 845 501 K	#2.5	250.80
NAGS	98 FB20954GT	#2.5	1285.95
	99-02 FB20955GT	#2.5	0.00
*Includes Clean Up Old Adhesive as Required			

WIPER SYSTEM

Illustration Located in Next Column

1 Blade, Wiper			
1998	8D9 955 425	#1	12.10
1999			
To VIN X199999	8D9 955 425	#1	12.10
From VIN X200001	8D9 955 427	#1	7.70
2000-02	8D9 955 427	#1	7.70
2 Arm, Wiper			
1998	8D9 955 407	#2	33.75
1999			
To VIN X199999	8D9 955 407	#2	33.75
From VIN X200001	489 955 407 3FZ	#2	36.85
2000-02	489 955 407 3FZ	#2	36.85
*Includes R&R Wiper Blade			



3 Cap, Wiper Arm	8D9 955 205		2.15
1998			
1999			
To VIN X199999	8D9 955 205		2.15
From VIN X200001	8D9 955 205 A		2.15
2000-02	8D9 955 205 A		1.40
4 Gasket, Arm	8D9 955 758 A		1.40
5 Motor Assy, Wiper	8L0 955 711 B	#6	122.95
6 Jet, Spray	3B9 955 985 A		6.30
*Included w/Wiper Motor Assy			
7 Connector, Hose (2)	1J0 955 875 B		3.70
8 Boot, Protective	489 971 840		8.15
9 Tank, Washer	8D9 955 453	#5	54.15
10 Cap, Washer Tank	8D0 955 455		3.55
11 Pump, Washer	4A0 955 651	#5	66.33
*Order by Application			
*Included in R&R Washer Tank			
12 Grommet, Washer Pump	431 955 465 A		2.10
13 Bracket, Washer Tank	8D9 955 459		2.75

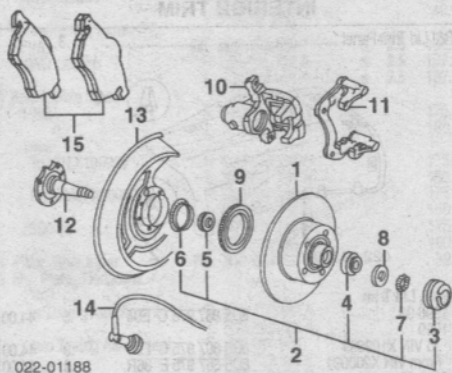
REAR SUSPENSION

Use Procedure Explanation 23 with the following text.

FWD

R&I Rear Suspension Assy (Complete)	m	2.5
Adjust Four Wheel Alignment	m	1.8
Adjust Rear Alignment	m	1.0
Bleed Brake System	m	4

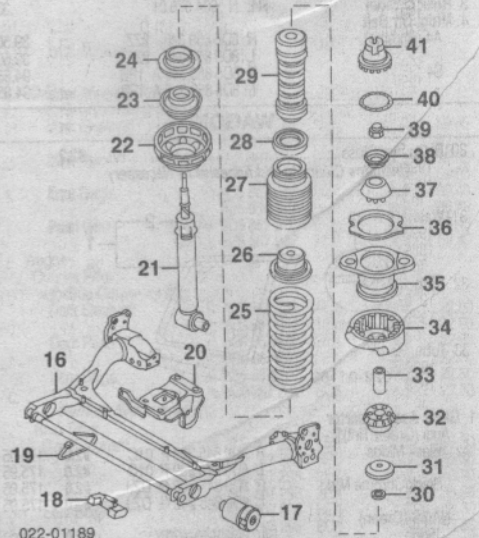
NOTE 1: R&I/R&R Does Not include alignment or bleed brake system.
NOTE 2: Refer to Special Cautions Section at the beginning of this vehicle text.



1 Rotor, Brake	R/L 8D0 615 601 B	m #1.3	97.46
2 Bearing Assy	R/L 4A0 598 625 A	m #1.3	73.90
3 Cap, Dust	R/L 8D0 501 249		2.45
4 Bearing, Outer	R/L 211 405 645 D	m #1.3	13.85
5 Bearing, Inner	R/L 311 405 625 F	m #1.3	28.05
6 Seal, Bearing	R/L 8A0 501 641 A	m #1.3	2.15
7 Ring, Locking	R/L 803 501 221		.92
*Included w/Bearing Assy			
8 Washer, Lock	R/L 431 501 219	m #1.3	1.95
9 Rotor, ABS	R/L 443 614 149 A	m #1.3	21.50
*R&R One Side Complete, R&R Both Sides 2.4			
10 Calliper, Brake	96-97 R/L 8D0 615 424-3	m #5	324.75
	98-02 R/L 8E0 615 424-3	m #5	239.20
11 Carrier, Calliper	96-97 R/L 443 615 425 B	m #5	99.05
	98-02 R/L 8E0 615 425	m #5	91.60

#R&R One Side Complete, w/Rotor Removed Deduct .3, R&R Both Sides .8

Hose, Brake	96-97 R/L 8D0 611 775 B	m #3	28.90
	98-99 R/L 8D0 611 775 J	m #3	38.95
	00-02 R/L 8D0 611 775 J	m #3	38.95
*w/Calliper Removed Deduct .2			
12 Axle, Stub	96-97 R/L 4A0 501 117 A	m #1.6	195.65
	98-02 R/L 8D0 501 117 C	m #1.6	238.20
13 Shield, Splash	R/L 8D0 615 612-1	m #1.6	17.35
*R&R One Side Complete			
14 Sensor, ABS Rear-See ABS/Brakes Section			
15 Pad Set, Brake	8E0 698 451 A	m #1.0	44.00
*Deduct .5 for Each Calliper Removed			



16 Beam, Axle	8D0 500 047 C	m #5.2	602.00
17 Bushing, Beam	R/L 8D0 501 541 D	m #5.2	43.90
*R&R Complete, Includes R&I Rear Suspension Assy			
18 Damper, Vibration (a)			
1996			
To VIN T089000	8D0 505 563	m	33.55
*From VIN T089001-Not Serviced			
(a) 1997-02-Not Serviced *			
19 Strap, Retaining	8D0 511 321 A	m	5.75
20 Brkt, Axle Beam	R 8D0 501 544 B	m	66.45
	L 8D0 501 543 D	m	66.45

21 Absorber, Shock Sedan			
w/Sport Susp			
Boge Brand	R/L 8D0 513 031 E	m #1.7	130.20
Monroe Brand	R/L 8D0 513 031 C	m #1.7	147.35
w/o Sport Susp			
1996-98	R/L 8D5 513 031 H	m #1.7	153.55
1999			
To VIN X199999	R/L 8D5 513 031 H	m #1.7	153.55
From VIN X200001			
Boge Brand	R/L 8D5 513 031 K	m #1.7	131.45
Monroe Brand	R/L 8D5 513 031 L	m #1.7	131.45
2000-02			
Boge Brand	R/L 8D5 513 031 K	m #1.7	131.45
Monroe Brand	R/L 8D5 513 031 L	m #1.7	131.45
Wagon			
1996-98			
Boge Brand	R/L 8D9 513 031 A	m #1.7	151.35
Monroe Brand	R/L 8D9 513 031 C	m #1.7	151.35
1999			
To VIN X199999	R/L 8D9 513 031 A	m #1.7	151.35
From VIN X200001	R/L 8D9 513 031 C	m #1.7	151.35
Boge Brand	R/L 8D9 513 031 F	m #1.7	151.35
Monroe Brand	R/L 8D9 513 031 G	m #1.7	151.35
2000-02			
Boge Brand	R/L 8D9 513 031 F	m #1.7	151.35
Monroe Brand	R/L 8D9 513 031 G	m #1.7	151.35
22 Seat, Lower Spring	R/L 8D0 512 103	m #1.7	21.90
23 Plate, Lower Spring	R/L 8D0 512 297 A	m #1.7	9.95
24 Packing, Lower	R/L 8D0 512 109	m #1.7	4.50
25 Spring, Coil			
Sedan			
w/Sport Susp	R/L 8D5 511 115 H	m #1.7	93.20
w/o Sport Susp			
1.8L Eng	R/L 8D5 511 115 S	m #1.7	90.55
2.6L Eng	R/L 8D5 511 115 T	m #1.7	130.70
Wagon	R/L 8D9 511 115 B	m #1.7	93.20
*Order by Application			

26 Cap, Dust			
1996-98	R/L 8D0 512 127 A	m #1.7	3.25
1999			
To VIN X199999	R/L 8D0 512 127 A	m #1.7	3.25
From VIN X200001	R/L 8D0 512 127 C	m #1.7	2.05
2000-02	R/L 8D0 512 127 C	m #1.7	2.05
27 Boot			
1996-98	R/L 357 513 425	m #1.7	8.80
1999			
To VIN X199999	R/L 357 513 425	m #1.7	8.80
From VIN X200001	R/L 8D0 512 157	m #1.7	2.50
2000-02	R/L 8D0 512 157	m #1.7	2.50