

2.95
3.85
7.40
2.25

4.00
.58
9.95
2.55
2.45
.67
.67
3.45
3.45
13.85

33.10
33.10
33.10
33.10
33.10
33.10
33.10
21.95
21.95

15.75

.92
13.30

1.90
61.15
61.15
123.20
123.20

3.55

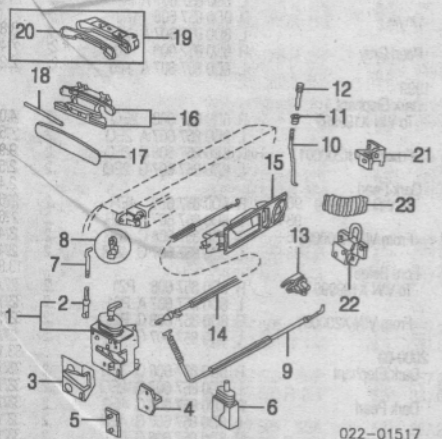
31.50
15.15
14.75

64.90
63.35

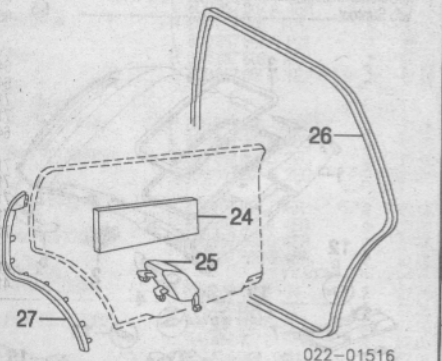
64.90
64.90
71.20
71.20
71.20
71.20

41.25
41.25

901



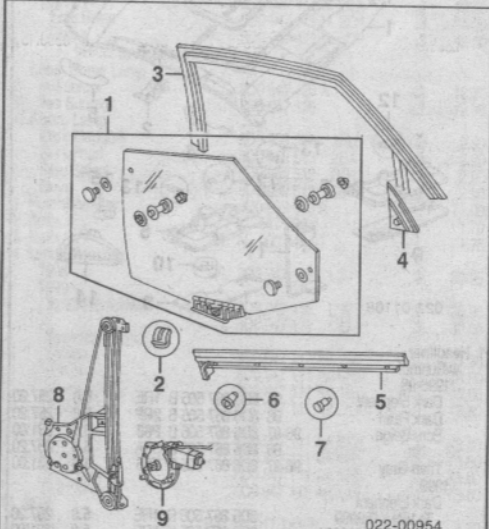
1 Latch Assy	R 8D0 839 016 A	#3	100.40
	L 8D0 839 015 A	#3	100.40
<i>#w/Inner Panel Removed</i>			
2 Clip, Rod Lower	R/L 4A0 837 171		2.95
<i>#Included w/Latch Assy</i>			
3 Packing, Dust	R/L 4A0 837 088-7		3.85
4 Striker	R/L 4A0 837 035 C	#2	7.40
5 Plate, Striker	R/L 8D0 809 237	#2	2.25
<i>#R&R One Side Complete</i>			
6 Actuator, Power Lock-Serviced w/Door Latch			
7 Rod, Actuator	R 8D0 839 134 A		4.00
	L 8D0 839 133 A		4.00
8 Clip, Rod	R/L 8A0 839 822-1		.58
9 Cable, Locking	R/L 8D0 839 191		9.95
10 Rod, Locking	R/L 8D0 839 183 A		2.55
11 Guide, Knob	R/L 895 837 189 B 01C		2.45
12 Knob, Locking	R/L 8D0 837 187 01C		.67
13 Lever, Relay	R/L 8D0 839 825 A		3.45
14 Cable, Actuator	R/L 8D0 839 081 A		13.85
15 Handle, Inside			
Basalt	R 8D0 839 020 4PN		33.10
Cabernet	R 8D0 839 019 4PN		33.10
	R 8D0 839 020 4WS		33.10
	L 8D0 839 019 4WS		33.10
Maritime Blue	R 8D0 839 020 6YS		33.10
	L 8D0 839 019 6YS		33.10
Onyx	R 8D0 839 020 1EJ		33.10
	L 8D0 839 019 1EJ		33.10
16 Handle, Outside (P)	R 4B0 839 208 GRU	#3	38.95
	L 4B0 839 207 GRU	#3	38.95
<i>(P) Paint to Match</i>			
<i>#w/Inner Panel Removed</i>			
17 Plate, Handle (P)	R/L 4B0 839 239 A GRU		18.75
<i>(P) Paint to Match</i>			
18 Strip, Handle Plate	R/L 4B0 837 109 B		.92
19 Cover Assy, Handle	R 4B2 837 886 A		27.35
	L 4B1 837 885 A		27.35
20 Gasket, Cover	R/L 4B0 837 209 A		1.60
<i>#Included w/Handle Cover Assy</i>			
21 Hinge, Upper	R 8D0 833 402 A	#3	61.15
	L 8D0 833 401 A	#3	61.15
22 Hinge Lower	R 8D0 833 412 C	#3	123.20
	L 8D0 833 411 C	#3	123.20
<i>#w/Door & Center Pillar Trim Removed</i>			
23 Boot	R/L 8D0 959 845 E		3.55



24 Absorber, Sound	R/L 323 863 950 A		31.50
25 Pad, Protective	R 8D0 839 842		15.15
	L 8D0 839 841		14.75
26 W/Strip, Body			
Sedan			
Dark Elephant	R/L 8D5 833 721 G 8SL	.6	64.90
Dark Pearl	R/L 8D5 833 721 G 7SK	.6	64.90
Ecru Beige	R 8D5 833 722 J 7ES	.6	71.20
	L 8D5 833 721 J 7ES	.6	71.20
Onyx	R/L 8D5 833 721 K 9SM	.6	64.90
Wagon			
Dark Elephant	R/L 8D9 833 721 C 8SL	.6	71.20
Dark Pearl	R/L 8D9 833 721 C 7SK	.6	71.20

Ecru Beige	R 8D9 833 722 C 7ES	.6	71.20
	L 8D9 833 721 C 7ES	.6	71.20
Onyx	R/L 8D9 833 721 A 9SM	.6	71.20
27 W/Strip, Door Auxiliary	R 8D0 833 706 A	.2	41.25
	L 8D0 833 705 A	.2	41.25

GLASS & PARTS



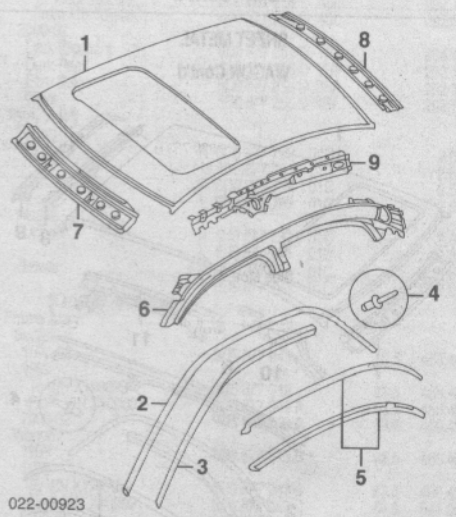
1 Glass, Rear Door			
Sedan			
Audi (Green Tint)	R/L 8D5 845 206-5	#1.8	54.55
NAGS (Green)	R/L FD05592-1G1TN	#1.8	391.50
Wagon			
Audi (Green Tint)	R/L 8D9 845 206-5	#1.8	54.55
NAGS	R/L FD20948-9G1TN	#1.8	342.95
<i>#Includes R&I Inner Panel Assy</i>			
2 Clamp (2/Side)	R/L 8D0 845 233		.58
3 Channel, Run			
Sedan			
1996-98	R 8D5 839 440 T		147.05
	L 8D5 839 439 M		147.05
1999	R 8D5 839 440 T		147.05
To VIN X199999	R 8D5 839 439 M		147.05
From VIN X200001	R 8D5 839 440 M		147.05
	L 8D5 839 439 M		147.05
2000-02	R 8D5 839 440 M		147.05
	L 8D5 839 439 M		147.05
Wagon			
1996-98	R/L 8D9 839 440-39		d204.00
1999	R/L 8D9 839 440-39		d204.00
To VIN X199999	R/L 8D9 839 440 H		147.05
From VIN X200001	L 8D9 839 439 H		147.05
2000-02	R 8D9 839 440 H		147.05
	L 8D9 839 439 H		147.05
4 Plate, Inner Trim			
Sedan			
1996-98	R 8D5 853 274 C 01C		13.85
	L 8D5 853 273 C 01C		13.85
1999	R 8D5 853 274 C 01C		13.85
	L 8D5 853 273 C 01C		13.85
From VIN X200001	R 8D5 853 274 G Y9B		42.55
	L 8D5 853 273 G Y9B		41.50
2000-02	R 8D5 853 274 G Y9B		42.55
	L 8D5 853 273 G Y9B		41.50
Wagon			
1996-98	R 8D9 853 274 E Y9B		43.35
	L 8D9 853 273 E Y9B		42.55
1999	R 8D0 839 478 A		18.40
	L 8D0 839 477 A		18.40
5 W/Strip, Outer Belt	R/L 8L3 837 199 B		.52
6 Clip, W/Strip (5/Side)	R/L 8L4 831 720		.73
7 Sleeve	R/L 8D0 839 462-1	#.4	126.75
8 Regulator	R 8D0 959 802 G	#.4	225.75
9 Motor, Regulator	R 8D0 959 801 E	#.4	225.75
<i>#R&R One Side Complete, w/Trim Panel & Glass Removed</i>			

ROOF

Use Procedure Explanations 17 and 28 with the following text.

SHEET METAL SEDAN

Refinish Roof Outside		3.0
Refinish Roof Drip Channel	R/L	.5
Refinish Outer Side Roof Rail	R/L	1.7
R&I Roof Moulding	R/L	#.8
<i>#w/Quarter Glass Removed</i>		
R&I Roof Drip Channel	R/L	.3



1 Panel, Roof w/Sunroof w/o Sunroof	8D5 817 017 A	#22.0	675.00
	8D5 817 111	#20.5	514.00
<i>#Does Not Include R&R Quarter Glass</i>			
2 Moulding, Roof A4			
Chrome	R 8D5 853 704 B 2ZZ	#.8	111.20
	L 8D5 853 703 B 2ZZ	#.8	108.30
Black	R 8D5 853 704 F 01C	#.8	41.10
	L 8D5 853 703 F 01C	#.8	41.10
S4	R 8D5 853 704 E 1PB	#.8	334.10
	L 8D5 853 703 E 1PB	#.8	334.10
<i>#w/Quarter Glass Removed</i>			
3 Strip, Cover			
Chrome	R 8D5 853 710 G 01C		10.40
	L 8D5 853 709 G 01C		10.40
Black	R 8D5 853 710 A 01C		10.40
	L 8D5 853 709 A 01C		10.40
4 Rivet (15/Side)	R/L N 907 878 02		.45
5 Channel, Roof Drip (P)	R 8D5 853 706 GRU	.3	34.95
	L 8D5 853 705 GRU	.3	34.95
<i>(P) Paint to Match</i>			
6 Rail, Outer Side Roof			
1996	R 8D5 809 834 C	#12.5	209.25
	L 8D5 809 833 C	#12.5	209.25
1997	R 8D5 809 834 C	#12.5	209.25
To VIN V060000	R 8D5 809 833 C	#12.5	209.25
From VIN V060001	R 8D5 809 834 C	#12.5	209.25
	L 8D5 809 833 C	#12.5	209.25
1998-02	R 8D5 809 834 C	#12.5	209.25
	L 8D5 809 833 C	#12.5	209.25
<i>#w/Glass, Trim & Necessary Bolted Parts Removed, w/Roof Removed Deduct 4.0</i>			
7 Header, Front	8D0 817 995	1.5	64.90
8 Header, Rear	8D5 817 983	1.5	64.90
9 Rail, Inner Side			
1996	R 8D5 817 968 D	2.5	64.90
	L 8D5 817 967 D	2.5	64.90
1997	R 8D5 817 968 D	2.5	64.90
To VIN V060000	R 8D5 817 967 D	2.5	64.90
From VIN V060001	R 8D5 817 968 D	2.5	64.90
	L 8D5 817 967 D	2.5	64.90
1998-02	R 8D5 817 968 D	2.5	64.90
	L 8D5 817 967 D	2.5	64.90

SHEET METAL WAGON

Refinish Roof Outside		3.2
Refinish Roof Drip Channel	R/L	.5
Refinish Outer Side Roof Rail	R/L	2.1
R&I Roof Moulding	R/L	#.8
<i>#w/Quarter Glass Removed</i>		
R&I Roof Drip Channel	R/L	.3

Illustration Located in Next Column

1 Panel, Roof w/Sunroof w/o Sunroof	8D9 817 017 A	#22.0	675.00
	8D9 817 021 B	#20.5	483.34
<i>#Does Not Include R&R Quarter Glass</i>			
2 Moulding, Roof			
Chrome	R 8D9 853 704 B 2ZZ	#.8	90.25
	L 8D9 853 703 B 2ZZ	#.8	90.25
Black	R 8D9 853 704 D 01C	#.8	42.85
	L 8D9 853 703 D 01C	#.8	42.85
<i>#w/Quarter Glass Removed</i>			
3 Strip, Cover			
Black	R 8D9 853 710 A 01C		10.40
	L 8D9 853 709 A 01C		10.40
4 Rivet (15/Side)	R/L N 907 878 02		.45