

**REAR DOOR Cont'd**

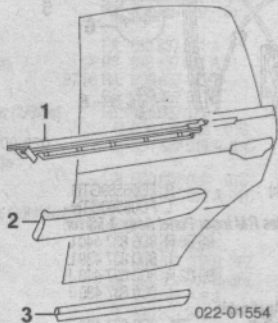
**SHEET METAL Cont'd**

To VIN X199999	R 8D9 839 754 B 03C	3.5	303.40
	L 8D9 839 753 B 03C	3.5	303.40
From VIN X200001	R 8D9 839 754 B 03C	3.5	303.40
	L 8D9 839 753 B 03C	3.5	303.40
2000-02	R 8D9 839 754 B 03C	3.5	303.40
	L 8D9 839 753 B 03C	3.5	303.40
3 Bar, Reinf	R/L 8D0 833 507		61.15

**EXTERIOR TRIM**

Refinish Upr Rear Door Mldg	R/L	5
Refinish Lwr Rear Door Mldg	R/L	6

NOTE: Audi advises that Side Moulding is non-reusable.



1 Mldg, Belt	R 8D0 853 764 2ZZ	#.3	78.80
	L 8D0 853 763 2ZZ	#.3	78.80
1999			
To VIN X199999	R 8D0 853 764 2ZZ	#.3	78.80
	L 8D0 853 763 2ZZ	#.3	78.80
From VIN X200001	R 8D0 853 764 B 2ZZ	#.3	78.80
	L 8D0 853 763 B 2ZZ	#.3	78.80
2000-02			
A4	00-01 R 8D0 853 764 B 2ZZ	#.3	78.80
	L 8D0 853 763 B 2ZZ	#.3	78.80
S4	R 8D0 853 764 C 1PB	#.3	142.20
	L 8D0 853 763 C 1PB	#.3	142.20

**#Winner Panel Removed**

2 Mldg, Upr Rear Door (Adhesive) (P)	R 8D0 853 964 GRU	2	30.10
	L 8D0 853 963 GRU	2	30.10
1999			
To VIN X199999	R 8D0 853 964 GRU	2	30.10
	L 8D0 853 963 GRU	2	30.10
From VIN X200001	R 8D0 853 964 B GRU	2	25.20
	L 8D0 853 963 B GRU	2	25.20
2000-02			
	R 8D0 853 964 B GRU	2	25.20
	L 8D0 853 963 B GRU	2	25.20

**(P) Paint to Match**

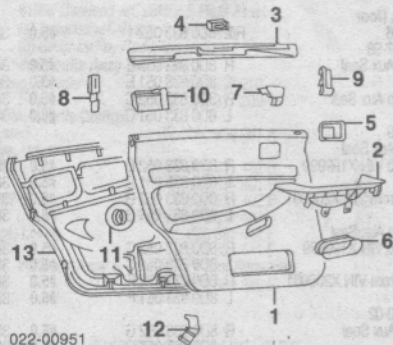
3 Mldg, Lwr Rear Door	R 8D0 853 970 B 01C	4	26.70
	L 8D0 853 969 B 01C	4	26.70
A4	R 8D0 853 970 A GRU	4	106.15
	L 8D0 853 969 A GRU	4	106.15
S4 (P)			
	R 8D0 853 970 B 01C	4	26.70
	L 8D0 853 969 B 01C	4	26.70

**(P) Paint to Match**

**INTERIOR TRIM**

R&I Trim Panel	R/L	6
----------------	-----	---

NOTE: All Parts in this section are included in R&R Trim Panel unless noted otherwise.



1 Panel, Trim			
1996	R 8D0 867 304 DUP	.7	347.65
	L 8D0 867 303 DUP	.7	347.65
1997			
To 7-96	R 8D0 867 304 DUP	.7	347.65
	L 8D0 867 303 DUP	.7	347.65
From 8-96			
Cloth	R 8D0 867 304 C 4XB	.7	354.43

Leatherette	L 8D0 867 303 C 4XB	.7	354.43
	R 8D0 867 304 F B08	.7	354.43
	L 8D0 867 303 F B08	.7	354.43
Leather	R 8D0 867 304 A 9UB	.7	399.39
	L 8D0 867 303 A 9UB	.7	399.39
1998-02			
Cloth (a)	R 8D0 867 304 G 4SG	.7	301.55
	L 8D0 867 303 G 4SG	.7	301.55
Leatherette (b)	R 8D0 867 304 AH 6SA	.7	354.43
	L 8D0 867 303 AH 6SA	.7	354.43
Leather (a)	R 8D0 867 304 M 5WE	.7	d399.15
	L 8D0 867 303 M 5WE	.7	399.15

(b) Mussel Gray listed, Order by Application

2 Bezel, Upper	R 8D0 867 372 A 9XB	12.70
1996-97	L 8D0 867 371 A 9XB	12.70
1998-02 (a)		
Pwr Windows	R 8D0 867 372 A 5ES	12.70
	L 8D0 867 371 A 5ES	10.40
Man Windows	R 8D0 867 372 5ES	10.40
	L 8D0 867 371 5ES	12.70

†Anthracite Gray listed, Order by Application

(a) Slate Gray listed, Order by Application

3 Moulding, Trim		
1996-97		
Alum	R 8D0 867 420 A Z53	37.65
	L 8D0 867 419 A Z53	37.65
Woodgrain	R 8D0 867 420 1WW	167.10
	L 8D0 867 419 1WW	167.10
1998-02		
Blue	R 8D0 867 420 K 6MS	31.35
	L 8D0 867 419 K 6MS	31.35
Copper	R 8D0 867 420 H 2NQ	167.10
	L 8D0 867 419 H 2NQ	167.10
Graphite	R 8D0 867 420 L 8NQ	31.35
	L 8D0 867 419 L 8NQ	31.35
Gray	R 8D0 867 420 J 4ME	31.35
	L 8D0 867 419 J 4ME	31.35
Nut Brown	R 8D0 867 420 1WW	167.10
	L 8D0 867 419 1WW	167.10

†Order by Application

4 Clip, Mldg (5/Side)	R/L 4A0 853 107 A	2.10
5 Handle, Inside-See Hardware Section		
6 Plate, Lower	R 8D0 867 396 E89	3.30
	L 8D0 867 395 E89	3.30

†Anthracite Gray listed, Order by Application

7 Piece, Front Intermediate	R 8D0 867 720 01C	5.40
	L 8D0 867 719 01C	5.40
8 Piece, Rear Intermediate	R 8D0 867 726 01C	4.20
	L 8D0 867 725 01C	4.20
9 Seal, Front	R 8D0 867 416	2.70
	L 8D0 867 415	2.75
10 Seal, Rear	R/L 8D0 867 370-69	2.75
11 Clip (5/Side)	R/L N 900 602 01	.22
12 Clamp, Lower (9/Side)	R/L 8D0 867 299	.92
13 Absorber, Sound	R 8D0 863 982 C	35.20
	L 8D0 863 981 C	35.20

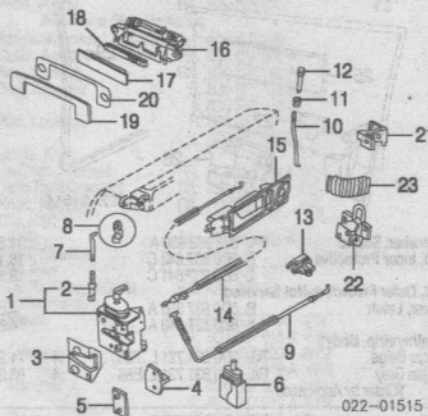
Speaker, Radio		
Std Sound System	R/L 8D0 035 412 B	#.3 148.35
Bose Sound System	R/L 8D0 035 412 A	#.3 216.90

#w/Door Trim Panel Removed, Not Included in R&R Door Trim Panel

**HARDWARE**  
**1996-99**  
**(TO VIN X199999)**

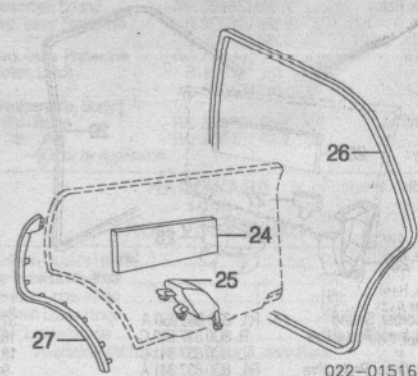
Refinish Outside Handle	R/L	4
Refinish Lower Trim Plate	R/L	2
Refinish Upper Trim Plate	R/L	2
Refinish Upper Hinge	R/L	2
Refinish Lower Hinge	R/L	2
R&I Outside Handle	R/L	#1.8

#Includes R&I Trim Panel & Inner Panel



1 Latch Assy		
1996		
To VIN V160000	R 8D0 839 016 D	#.3 100.45
	L 8D0 839 015 D	#.3 97.80
From VIN V160001	R 8D0 839 016 A	#.3 100.40
	L 8D0 839 015 A	#.3 100.40
1997-99		
	R 8D0 839 016 A	#.3 100.40
	L 8D0 839 015 A	#.3 100.40

2 Clip, Rod Lower	R/L 4A0 837 171	2.95
#Included w/Latch Assy		
3 Packing, Dust	R/L 4A0 837 088-7	3.85
4 Striker	R/L 4A0 837 035 C	#.2 7.40
5 Plate, Striker	R/L 8D0 809 237	#.2 2.25
#R&R One Side Complete		
6 Actuator, Power Lock-Serviced w/Door Latch	R/L 8D0 839 133	4.00
7 Rod, Actuator	R/L 8A0 839 822-1	.58
8 Clip, Rod	R/L 8D0 839 191	9.95
9 Cable, Locking	R/L 8D0 839 183 A	2.55
10 Rod, Locking	R/L 895 837 189 B 01C	2.45
11 Guide, Knob	R/L 893 837 187 E 01C	.67
12 Knob, Locking	96-97 R/L 8D0 837 187 01C	.67
	98-99 R/L 8D0 839 825 A	3.45
	99-99 R/L 8D0 839 825 A	3.45
13 Lever, Relay	R/L 8D0 839 081 A	13.85
14 Cable, Actuator		
15 Handle, Inside	R 8D0 839 020 01C	33.10
1996-98	L 8D0 839 019 01C	33.10
1999		
Basalt	R 8D0 839 020 4PN	33.10
	L 8D0 839 019 4PN	33.10
Cabernet	R 8D0 839 020 4WS	33.10
	L 8D0 839 019 4WS	33.10
Maritime Blue	R 8D0 839 020 6YS	33.10
	L 8D0 839 019 6YS	33.10
Onyx	R 8D0 839 020 1EJ	33.10
	L 8D0 839 019 1EJ	33.10
16 Handle, Outside (P)	R 4A0 839 206 F	#.3 21.95
	L 4A0 839 205 F	#.3 21.95
(P) Paint to Match		
#w/Inner Panel Removed		
17 Plate, Lower Trim (P)	R/L 893 837 237 E 01C	15.75
(P) Paint to Match		
18 Retainer, Trim Plate	R/L 893 837 109 E	.92
19 Plate, Upper Trim (P)	R/L 4A0 839 239 B 01C	13.30
(P) Paint to Match		
20 Packing, Handle	R/L 893 839 209	1.90
21 Hinge, Upper	R 8D0 833 402 A	#.3 61.15
	L 8D0 833 401 A	#.3 61.15
22 Hinge, Lower	R 8D0 833 412 C	#.3 123.20
	L 8D0 833 411 C	#.3 123.20
#w/Door & Center Pillar Trim Removed		
23 Boot	R/L 8D0 959 845 E	3.55



24 Absorber, Sound	R/L 323 863 950 A	31.50
25 Pad, Protective	R 8D0 839 842	15.15
	L 8D0 839 841	14.75
26 W/Strip, Body		
1996-97		
Ecru Beige	R/L 8D5 833 721 G 7ES	.6 64.90
Titan Gray	R/L 8D5 833 721 G E86	.6 68.35
1998-99		
Sedan		
Dark Elephant	R/L 8D5 833 721 G 8SL	.6 64.90
Dark Pearl	R/L 8D5 833 721 G 7SK	.6 64.90
Ecru Beige	R 8D5 833 722 J 7ES	.6 71.20
	L 8D5 833 721 J 7ES	.6 71.20
Onyx	R/L 8D5 833 721 K 9SM	.6 64.90
Wagon		
Dark Elephant	R/L 8D9 833 721 A 8SL	.6 71.20
Dark Pearl	R/L 8D9 833 721 A 7SK	.6 71.20
Ecru Beige	R 8D9 833 722 C 7ES	.6 71.20
	L 8D9 833 721 C 7ES	.6 71.20
Onyx	R/L 8D9 833 721 A 9SM	.6 71.20
†Order by Application		
27 W/Strip, Door Auxiliary	R 8D0 833 706 A	2 41.25
	L 8D0 833 705 A	2 41.25

**HARDWARE**  
**1999-02**  
**(FROM VIN X200001)**

Refinish Outside Handle	R/L	4
Refinish Handle Plate	R/L	2
Refinish Upper Hinge	R/L	2
Refinish Lower Hinge	R/L	2
R&I Outside Handle	R/L	#1.8

#Includes R&I Trim Panel & Inner Panel