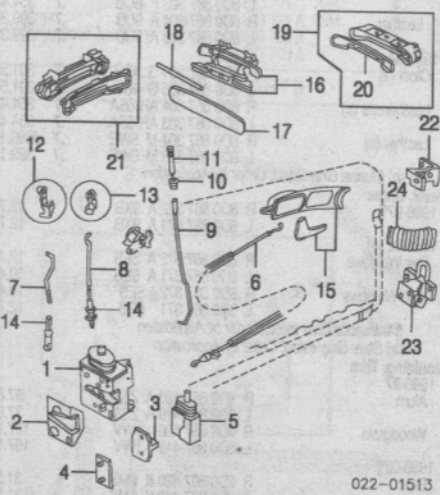
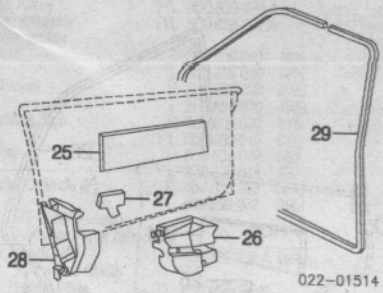


9 Rod, Locking	L 8D0 837 133 A R 8D0 837 184 A L 8D0 837 183 A	4.30 3.80 3.80
10 Guide, Knob w/Theft Deterrent w/o Theft Deterrent	R/L 8L3 837 189 A 01C R/L 8L3 837 189 01C R/L 8D0 837 187 01C	1.70 1.70 .67
11 Knob, Locking		
12 Clip, Rod FWD AWD Quattro	R/L 893 837 821 A N.A.	.73 0.00
13 Clip, Rod	R/L 8D0 837 821	.58
14 Clip, Rod Lwr (2/Side)	R/L 4A0 837 171	2.95
15 Handle, Inside Basalt	R 8D0 837 020 4PN L 8D1 837 019 A 4PN R 8D0 837 020 4WS L 8D1 837 019 A 4WS R 8D0 837 020 6YS L 8D1 837 019 A 6YS R 8D0 837 020 1EJ L 8D1 837 019 A 1EJ L 4B0 839 208 GRU L 4B1 837 207 GRU	33.10 22.40 33.10 22.40 33.10 22.40 33.10 22.40 38.95 46.60
16 Handle, Outside (P)		#.4 #.4
17 Plate, Handle (P)	R 4B0 839 239 A GRU L 4B0 837 237 GRU	18.75 24.10
18 Strip, Handle Plate	R/L 4B0 837 109 B	.92
19 Cover Assy, Handle	R 4B2 837 886 A L 4B1 837 885 A	27.35 27.35
20 Gasket, Cover	R/L 4B0 837 209 A	1.60
21 Cylinder & Plate	L 107 837 063 ND L 8L4 837 063 E	131.85 211.60
22 Hinge, Upper	R/L 4A0 959 981 A R 8D0 831 402 B L 8D0 831 401 B R 8D0 831 412 F L 8D0 831 411 F	58.10 #.3 26.95 #.3 26.95 #.3 52.00 #.3 52.00
23 Hinge, Lower		
24 Boot	R/L 8D0 959 845 F	3.55

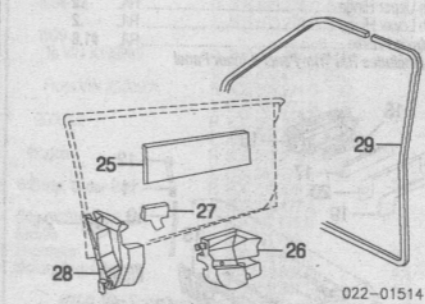


11 Knob, Locking	R/L 8L3 837 189 01C R/L 8D0 837 187 01C	1.70 .67
12 Clip, Rod	N.A.	0.00
13 Clip, Rod	R/L 8D0 837 821	.58
14 Clip, Rod Lwr (2/Side)	R/L 4A0 837 171	2.95
15 Handle, Inside Basalt	R 8D0 837 020 4PN L 8D1 837 019 A 4PN R 8D0 837 020 4WS L 8D1 837 019 A 4WS R 8D0 837 020 6YS L 8D1 837 019 A 6YS R 8D0 837 020 1EJ L 8D1 837 019 A 1EJ R 4B0 839 208 GRU L 4B1 837 207 GRU	33.10 22.40 33.10 22.40 33.10 22.40 33.10 22.40 38.95 46.60
16 Handle, Outside (P)		#.4 #.4
17 Plate, Handle (P)	R 4B0 839 239 A GRU L 4B0 837 237 GRU	18.75 24.10
18 Strip, Handle Plate	R/L 4B0 837 109 B R 4B2 837 886 A L 4B1 837 885 A	.92 27.35 27.35
19 Cover Assy, Handle	R/L 4B0 837 209 A	1.60
21 Cylinder & Plate	L 107 837 063 ND L 8L4 837 063 E	131.85 211.60
22 Hinge, Upper	R/L 4A0 959 981 A R 8D0 831 402 B L 8D0 831 401 B R 8D0 831 412 F L 8D0 831 411 F	58.10 #.3 26.95 #.3 26.95 #.3 52.00 #.3 52.00
23 Hinge, Lower		
24 Boot	R/L 8D0 959 845 F	3.55

16 Handle, Outside (P)		#.4 #.4
17 Plate, Handle (P)	R 4B0 839 239 A GRU L 4B0 837 237 GRU	18.75 24.10
18 Strip, Handle Plate	R/L 4B0 837 109 B R 4B2 837 886 A L 4B1 837 885 A	.92 27.35 27.35
19 Cover Assy, Handle	R/L 4B0 837 209 A	1.60
20 Gasket, Cover	R/L 4B0 837 209 A	1.60
21 Cylinder & Plate	L 107 837 063 ND L 8L4 837 063 E	131.85 211.60
22 Hinge, Upper	R/L 4A0 959 981 A R 8D0 831 402 B L 8D0 831 401 B R 8D0 831 412 F L 8D0 831 411 F	58.10 #.3 26.95 #.3 26.95 #.3 52.00 #.3 52.00
23 Hinge, Lower		
24 Boot	R/L 8D0 959 845 F	3.55



25 Absorber, Sound	R/L 323 863 950 A	31.50
26 Pad, Inner Protective	R 8D0 837 842 C L 8D0 837 841 C	18.10 18.10
27 Pad, Outer Protective	R/L 8D0 837 841 A R 8D0 837 350 A L 8D0 837 349 A	9.60 4.85 4.85
28 Cover, Latch		
29 Weatherstrip, Body	R/L 8D0 831 721 L E86 R/L 8D0 831 721 L E86	.4 71.20 .4 88.00

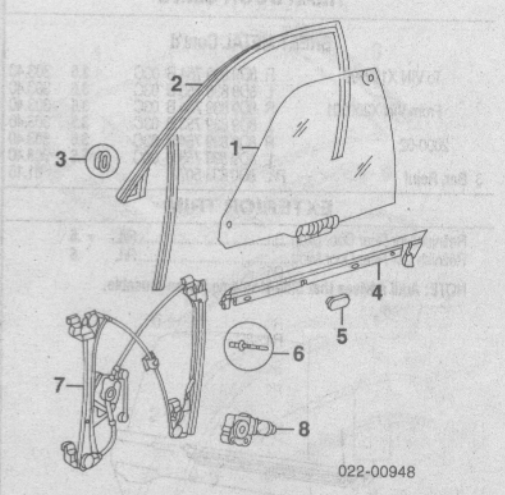


HARDWARE 2000-02	
Refinish Outside Handle	R/L .4
Refinish Upper Hinge	R/L .2
Refinish Lower Hinge	R/L .2
Refinish Handle Plate	R/L .2
R&I Outside Handle	R/L #2.1

1 Latch, Door	00-01 R 8D1 837 016 F L 8D1 837 015 F 02 R 4D1 837 016 D L 8D1 837 015 F	83.35 127.00 131.85 127.00
2 Packing, Dust	R/L 8L0 837 088-7	3.85
3 Striker	R/L 8D0 837 035	13.70
4 Plate, Striker	R/L 8D0 809 237	2.25
5 Actuator, Power Lock-Serviced w/Door Latch	R/L 8D0 837 081 A	10.55
6 Cable, Actuator	R 8D0 837 196 B L 8D0 837 195 B	1.30 1.30
7 Rod, Locking	R 8D0 837 134 A L 8D0 837 133 A	4.30 4.30
8 Rod, Actuator	R 8D0 837 184 A L 8D0 837 183 A	3.80 3.80
9 Rod, Locking		
10 Guide, Knob w/Theft Deterrent	R/L 8L3 837 189 A 01C	1.70

25 Absorber, Sound	R/L 323 863 950 A	31.50
26 Pad, Inner Protective	R 8D0 837 842 C L 8D0 837 841 C	18.10 18.10
27 Pad, Outer Protective-Not Serviced	R 8D0 837 350 A L 8D0 837 349 A	4.85 4.85
28 Cover, Latch		
29 Weatherstrip, Body	R/L 8D0 831 721 L E86 R/L 8D0 831 721 L E86	.4 71.20 .4 88.00

GLASS & PARTS		
1 Glass, Front Door Audi (Green Tint)	R/L 8D0 845 202-1	#2.0 108.15

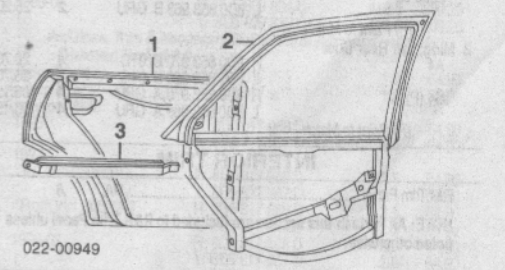


2 Channel, Run	R FD05589GTM L FD05590GTM	#2.0 373.15 #2.0 373.15
3 Retainer-Not Applicable		
4 W/Strip, Outer Belt	R/L 8D0 837 478-7	#.3 19.40
5 Clip, W/Strip (5/Side)	R/L 8L3 837 199 B	.52
6 Rivet	R/L N 906 924 01	.58
7 Regulator	R 8D0 837 462 L 8D0 837 461	#.4 176.05 #.4 127.00
8 Motor, Regulator	R 8D0 959 802 D L 8D0 959 801 D	#.4 202.50 #.4 202.50

REAR DOOR

Use Procedure Explanations 16 and 28 with the following text.

SHEET METAL	
Refinish Door Outside	R/L 2.0
Add for Jamb & Interior	R/L 1.0
Add for Jamb	R/L .5
R&I Door Assy	R/L .8
R&I Inner Panel Assy	R/L #1.5



1 Shell, Door	1996 1997-98 w/Aux Seal w/o Aux Seal	R/L 8D0 833 052-1 R 8D0 833 052 E L 8D0 833 051 E R 8D0 833 052 C L 8D0 833 051 C	#5.0 387.60 #5.0 387.60 #5.0 387.60 #5.0 387.96 #5.0 387.96
	1999 w/Aux Seal To VIN X199999 From VIN X200001 w/o Aux Seal To VIN X199999 From VIN X200001 L 8D0 833 051 F	R 8D0 833 052 E L 8D0 833 051 E R 8D0 833 052 G L 8D0 833 051 G R 8D0 833 052 C L 8D0 833 051 C R 8D0 833 052 F L 8D0 833 051 F	#5.0 387.60 #5.0 387.60 #5.0 387.60 #5.0 387.60 #5.0 387.96 #5.0 387.60 #5.0 387.60 #5.0 387.60
	2000-02 w/Aux Seal w/o Aux Seal	R 8D0 833 052 G L 8D0 833 051 G R 8D0 833 052 F L 8D0 833 051 F	#5.0 387.60 #5.0 387.60 #5.0 387.60 #5.0 387.60
	2 Panel, Inner Sedan Wagon 1996 1999	R 8D5 839 754 D 03C L 8D5 839 753 D 03C R 8D9 839 754 B 03C L 8D9 839 753 B 03C	3.5 303.40 3.5 303.40 3.5 303.40 3.5 303.40