

FRONT DOOR Cont'd

HARDWARE

1996-98 Cont'd

7 Rod, Locking	R/L 8D0 837 195 A	3.60
8 Rod, Actuator	R/L 8D0 837 134-3	3.70
1996-97	R 8D0 837 134 A	4.30
1998	L 8D0 837 133 A	4.30
9 Rod, Locking	R 8D0 837 184 A	3.80
	L 8D0 837 183 A	3.80
10 Guide, Knob	R/L 893 837 189 B 01C	.52
w/Theft Deterrent	R/L 8L3 837 189 A 01C	1.70
w/o Theft Deterrent	R/L 8L3 837 189 01C	1.70
11 Knob, Locking	R/L 893 837 187 E 01C	.67
1996-97	R/L 8D0 837 187 01C	.67
12 Clip, Rod	R/L 893 837 821 A	.73
FWD	R/L 893 837 821 A	.73
AWD Quattro	96 R/L 893 837 821 A	.58
	97-98 R/L 8D0 837 821	.58
13 Clip, Rod	R/L 8D0 837 821	.58
14 Clip, Rod Lwr (2/Side)	R/L 4A0 837 171	2.95
1996-97	R 8D0 837 020 01C	33.10
	L 8D1 837 019 A 01C	32.20
15 Handle, Inside	R 8D0 837 020 01C	33.10
1996-98	L 8D1 837 019 A 01C	32.20
16 Handle Assy, Outside (P)	R 4A0 837 206 K	#.4 59.60
1996	L 4A0 837 205 K	#.4 59.60
	R 8D0 837 208 B 3ZF	#.4 66.00
1997	L 8D0 837 207 B 3ZF	#.4 66.00
	R 4A0 837 206 J	#.4 20.55
1998	L 4A0 837 205 J	#.4 20.55

(P) Paint to Match
#w/Trim Panel, Mirror & Inner Panel Removed

17 Switch, Heated Handle Micro	R/L 893 959 985 A	73.35
1996	R/L 4A0 998 985	52.35
1997-98		
#Included w/Outside Handle Assy		

18 Fastener	R 893 837 276 A	1.20
1996-98	L 893 837 275 A	1.20
19 Plate, Lower Trim (P)	R/L 893 837 237 E 01C	15.75

(P) Paint to Match

20 Retainer, Trim Plate	R/L 893 837 109 E	.92
21 Cylinder & Plate Assy		

1996-97	Heated	R 4A0 837 064 C	211.60
	L 4A0 837 063 C	L 4A0 837 063 C	122.50
	w/o Theft Deterrent	R 4A0 837 064 A	129.10
	L 4A0 837 063 A		
	Non-Heated	R 4A0 837 064 B	162.70
	w/Theft Deterrent	L 4A0 837 063 B	158.00
	w/o Theft Deterrent	R 4A0 837 064	54.20
	L 4A0 837 063		43.95
1998	Heated	R 107 837 064 CB	94.30
	L 107 837 063 CB		94.30
	Non-Heated	R 107 837 064 CA	94.30
	L 107 837 063 CA		94.30

#Order by Application

22 Carrier	96 R 893 837 288 D	6.55
	L 893 837 287 D	6.55
23 Plate, Upper Trim (P)	R 893 837 240 E 3ZF	28.90
1996	L 893 837 239 E 3ZF	28.90
	R 4A0 837 240 E 01C	15.75
	L 4A0 837 239 E 01C	15.75

(P) Paint to Match

24 Cylinder, Lock	R 893 837 062 B	#.2 15.35
1996-97 (a) (b)	L 893 837 061 B	#.2 18.80

#1998- Serviced w/Cylinder & Plate Assy
(a) Included w/Cylinder & Plate Assy
(b) Order by Key Code/Application

#w/Handle Assy Removed

25 Packing, Handle	R 4A0 837 210	1.10
	L 4A0 837 209	1.00

Module, Handle Control

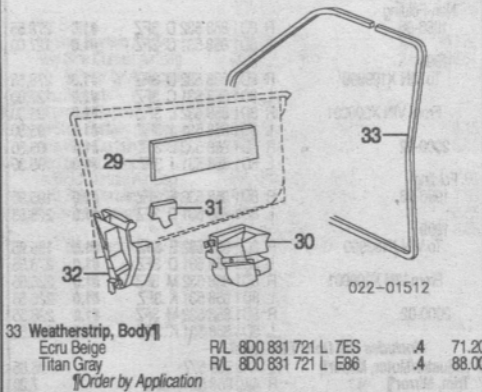
Heated	R/L 4A0 959 981 A	58.10
26 Hinge, Upper	R 8D0 831 402 B	#.3 26.95
1996	L 8D0 831 401 B	#.3 26.95
	R 8D0 831 402 B	#.3 26.95
1997-98	L 8D0 831 401 B	#.3 26.95
	R 8D0 831 412 F	#.3 52.00
	L 8D0 831 411 F	#.3 52.00

#w/Door Assy & Cowl Trim Panel Removed

27 Hinge, Lower	R/L 8D0 831 411 F	#.3 52.00
28 Boot	R/L 8D0 959 845 F	3.55

Illustration Located in Next Column

29 Absorber, Sound	R/L 323 863 950 A	31.50
30 Pad, Inner Protective	R 8D0 837 842 B	18.10
	L 8D0 837 841 B	18.10
31 Pad, Outer Protective	R/L 8D0 837 841 A	9.60
32 Cover, Latch	R 8D0 837 350	5.20
	L 8D0 837 349	4.80

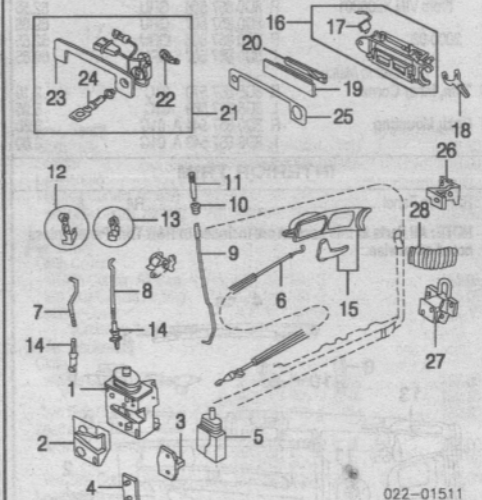


33 Weatherstrip, Body	R/L 8D0 831 721 L 7ES	.4 71.20
	R/L 8D0 831 721 L E86	.4 88.00

HARDWARE 1999 TO VIN X199999

Refinish Outside Handle	R/L	.4
Refinish Lower Trim Plate	R/L	.2
Refinish Upper Trim Plate	R/L	.2
Refinish Upper Hinge	R/L	.2
Refinish Lower Hinge	R/L	.2
R&I Outside Handle	R/L	#2.1

#Includes R&I Trim Panel, Mirror & Inner Panel



1 Latch, Door	R 8D1 837 016 F	#.4 83.35
	L 8D1 837 015 F	#.4 127.00

#w/Inner Panel Removed

2 Packing, Dust	R/L 4A0 837 088-7	3.85
3 Striker	R/L 4A0 837 035 C	#.2 7.40
4 Plate, Striker	R/L 8D0 809 237	#.2 2.25

#R&R One Side Complete

5 Actuator, Power Lock-Serviced w/Door Latch	R/L 8D0 837 081 A	10.55
6 Cable, Actuator	R 8D0 837 195 A	3.60
7 Rod, Locking	R 8D0 837 134 A	4.30
8 Rod, Actuator	L 8D0 837 133 A	4.30
	R 8D0 837 184 A	3.80
	L 8D0 837 183 A	3.80

9 Rod, Locking	R/L 8L3 837 189 A 01C	1.70
	R/L 8L3 837 189 01C	1.70
10 Guide, Knob	R/L 8D0 837 187 01C	.67

11 Knob, Locking	R/L 893 837 821 A	.73
12 Clip, Rod	AWD Quattro	N.A.
	R/L 8D0 837 821	.58
	R/L 4A0 837 171	2.95

13 Clip, Rod	R/L 8D0 837 821	.58	
14 Clip, Rod Lwr (2/Side)	R/L 4A0 837 171	2.95	
15 Handle, Inside	Basalt	R 8D0 837 020 4PN	33.10
	L 8D1 837 019 A 4PN	22.40	
	R 8D0 837 020 4WS	33.10	
	L 8D1 837 019 A 4WS	22.40	
	R 8D0 837 020 6YS	33.10	
	L 8D1 837 019 A 6YS	22.40	
	R 8D0 837 020 1EJ	33.10	
	L 8D1 837 019 A 1EJ	22.40	
	R 4A0 837 206 J	#.4 20.55	
	L 4A0 837 205 J	#.4 20.55	

(P) Paint to Match

#w/Trim Panel, Mirror & Inner Panel Removed

#Included w/Outside Handle Assy

17 Switch, Heated Handle Micro	R/L 8D0 959 985	59.80
18 Fastener	R 893 837 276 A	1.20
	L 893 837 275 A	1.20
19 Plate, Lower Trim (P)	R/L 893 837 237 E 01C	15.75

(P) Paint to Match		
20 Retainer, Trim Plate	R/L 893 837 109 E	.92
21 Cylinder & Plate Assy		
Heated	R 107 837 064 CB	94.30
	L 107 837 063 CB	94.30
	R 107 837 064 CA	94.30
	L 107 837 063 CA	94.30

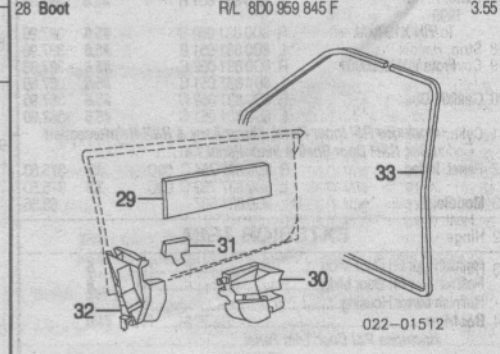
#Order by Application		
22 Carrier (a)-Serviced w/Cylinder & Plate Assy	R 4A0 837 240 E 01C	15.75
23 Plate, Upper Trim (P)	L 4A0 837 239 E 01C	16.75

(P) Paint to Match		
24 Cylinder, Lock (a)-Serviced w/Cylinder & Plate Assy		
#Included w/Cylinder & Plate Assy		
(a) Order by Application		
25 Packing, Handle	R 4A0 837 210	1.10
	L 4A0 837 209	1.00

Module, Handle Control		
Heated	R/L 4A0 959 981 A	58.10
26 Hinge, Upper	R 8D0 831 402 B	#.3 26.95
	L 8D0 831 401 B	#.3 26.95
27 Hinge, Lower	R 8D0 831 412 F	#.3 52.00
	L 8D0 831 411 F	#.3 52.00

#w/Door Assy & Cowl Trim Panel Removed

28 Boot	R/L 8D0 959 845 F	3.55
---------	-------------------	------



29 Absorber, Sound	R/L 323 863 950 A	31.50
30 Pad, Inner Protective	R 8D0 837 842 B	18.10
	L 8D0 837 841 B	18.10
31 Pad, Outer Protective	R/L 8D0 837 841 A	9.60
32 Cover, Latch	R 8D0 837 350	5.20
	L 8D0 837 349	4.80

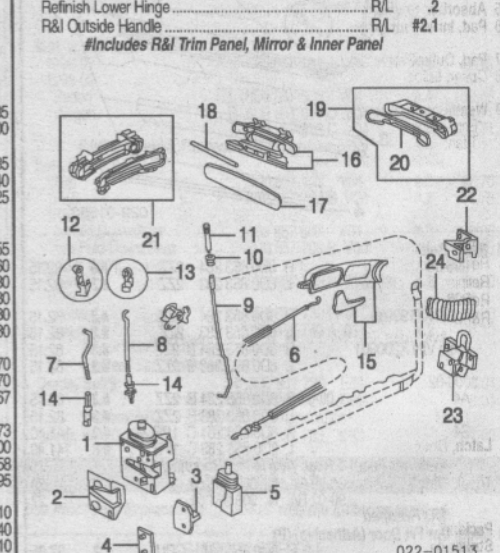
33 Weatherstrip, Body	R/L 8D0 831 721 L 7ES	.4 71.20
	R/L 8D0 831 721 L E86	.4 88.00

#Order by Application

HARDWARE 1999 FROM VIN X200001

Refinish Outside Handle	R/L	.4
Refinish Handle Plate	R/L	.2
Refinish Upper Hinge	R/L	.2
Refinish Lower Hinge	R/L	.2
R&I Outside Handle	R/L	#2.1

#Includes R&I Trim Panel, Mirror & Inner Panel



1 Latch, Door	R 8D1 837 016 F	#.4 83.35
	L 8D1 837 015 F	#.4 127.00

#w/Inner Panel Removed

2 Packing, Dust	R/L 8D0 837 088-7	3.85
3 Striker	R/L 8D0 837 035	#.2 13.70
4 Plate, Striker	R/L 8D0 809 237	#.2 2.25

#R&R One Side Complete

5 Actuator, Power Lock-Serviced w/Door Latch	R/L 8D0 837 081 A	10.55
6 Cable, Actuator	R 8D0 837 195 B	3.60
7 Rod, Locking	L 8D0 837 195 B	4.30
8 Rod, Actuator	R 8D0 837 134 A	4.30