

022-00943

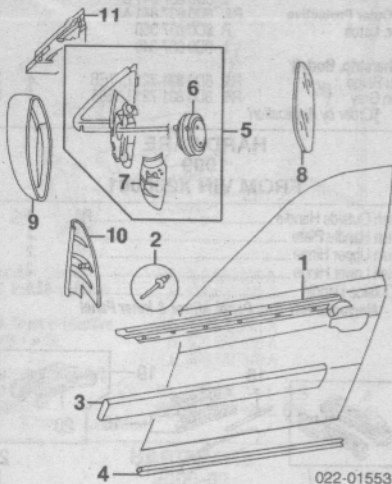
1 Shell, Door			
1996	R 8D0 831 052 A	#5.6	387.60
	L 8D0 831 051 A	#5.6	387.60
1997-98	R 8D0 831 052 B	#5.6	387.96
	L 8D0 831 051 B	#5.6	387.96
1999	R 8D0 831 052 B	#5.6	387.96
To VIN X199999	L 8D0 831 051 B	#5.6	387.96
From VIN X200001	R 8D0 831 052 C	#5.6	387.96
	L 8D0 831 051 C	#5.6	387.96
2000-02	R 8D0 831 052 C	#5.6	387.96
	L 8D0 831 051 C	#5.6	387.60
<i>#Includes R&I Inner Panel, Mirror Assy & R&R Reinforcement Bar, R&R Door Shell & Inner Panel 7.4</i>			
2 Panel, Inner			
	R 8D0 837 754 C 03C	3.5	375.50
	L 8D0 837 753 C 03C	3.5	375.50
3 Bar, Reinf			
	R/L 8D0 831 507		68.35

EXTERIOR TRIM

Refinish Up Frt Door Midg.....	R/L	.5
Refinish Lwr Frt Door Midg.....	R/L	.6
Refinish Mirror Housing.....	R/L	.5
R&I Mirror.....	R/L	#1.0

#Includes R&I Door Trim Panel

NOTE: Audi advises that Side Moulding is non-reusable.



022-01553

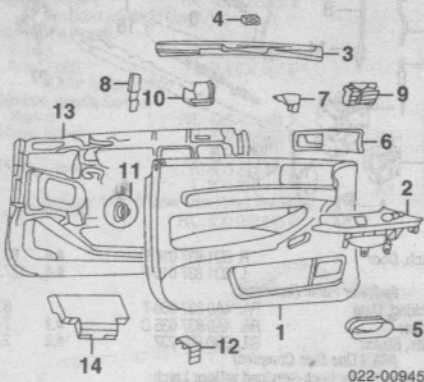
1 Midg, Belt			
1996-98	R 8D0 853 284 2ZZ	#3	82.15
	L 8D0 853 283 2ZZ	#3	82.15
1999	R 8D0 853 284 2ZZ	#3	82.15
To VIN X199999	L 8D0 853 283 2ZZ	#3	82.15
From VIN X200001	R 8D0 853 284 B 2ZZ	#3	82.15
	L 8D0 853 283 B 2ZZ	#3	82.15
2000-02	R 8D0 853 284 B 2ZZ	#3	82.15
A4	00-01 R 8D0 853 284 B 2ZZ	#3	82.15
	L 8D0 853 283 B 2ZZ	#3	82.15
S4	R 8D0 853 284 C 1PB	#3	141.40
	L 8D0 853 283 C 1PB	#3	141.40
<i>#w/Inner Panel & Rear View Mirror Removed</i>			
2 Rivet, Midg]			
	96-98 R/L N 907 695 01		.38
	99-02 R/L N 908 951 01		.27
<i>As Required</i>			
3 Midg, Up Frt Door (Adhesive) (P)			
1996-98	R 8D0 853 954 GRU	2	37.85
	L 8D0 853 953 GRU	2	37.85
1999	R 8D0 853 954 GRU	2	37.85
To VIN X199999	L 8D0 853 953 GRU	2	37.85
From VIN X200001	R 8D0 853 954 B GRU	2	32.50
	L 8D0 853 953 B GRU	2	32.50
2000-02	R 8D0 853 954 B GRU	2	32.50
	L 8D0 853 953 B GRU	2	32.50
4 Midg, Lwr Frt Door			
A4	R 8D0 853 960 B 01C	4	32.50
	L 8D0 853 959 B 01C	4	32.50
S4 (P)	R 8D0 853 960 A GRU	4	106.15
	L 8D0 853 959 A GRU	4	106.15
<i>(P) Paint to Match</i>			

5 Mirror Assy, Rear View			
Non-Folding			
1996-98			
	R 8D1 858 532 D 3FZ	#1.0	278.55
	L 8D1 858 531 C 3FZ	#1.0	127.00
1999			
To VIN X199999	R 8D1 858 532 D 3FZ	#1.0	278.55
	L 8D1 858 531 C 3FZ	#1.0	127.00
From VIN X200001	R 8D1 858 532 L 3FZ	#1.0	95.30
	L 8D1 858 531 J 3FZ	#1.0	95.30
2000-02			
	R 8D1 858 532 L 3FZ	#1.0	95.30
	L 8D1 858 531 J 3FZ	#1.0	95.30
Folding			
1996-98			
	R 8D1 858 532 E 3FZ	#1.0	195.95
	L 8D1 858 531 D 3FZ	#1.0	278.55
1999			
To VIN X199999	R 8D1 858 532 E 3FZ	#1.0	195.95
	L 8D1 858 531 D 3FZ	#1.0	278.55
From VIN X200001	R 8D1 858 532 M 3FZ	#1.0	226.55
	L 8D1 858 531 K 3FZ	#1.0	226.55
2000-02	R 8D1 858 532 M 3FZ	#1.0	226.55
	L 8D1 858 531 K 3FZ	#1.0	226.55
<i>#Includes R&I Door Trim Panel</i>			
6 Adjuster/Motor, Mirror]			
	R/L 4A0 959 577		96.65
7 Trim, Mirror]			
	R 4A0 858 524 3FZ		7.20
	L 4A0 858 523 3FZ		8.25
<i>#Included w/Rear View Mirror Assy</i>			
8 Glass, Mirror]			
Non-Folding			
	R 4A1 857 536 AD	2	99.20
	L 4B0 857 535	2	38.10
Folding			
	R 4B0 857 536 J	2	293.40
	L 4B0 857 535 C	2	148.55
<i>#Order by Application</i>			
9 Housing, Mirror (P)			
1996-98			
	R 4A1 857 508 3FZ		69.85
	L 4A0 857 507 3FZ		69.85
1999			
To VIN X199999	R 4A0 857 508 3FZ		69.85
	L 4A0 857 507 3FZ		69.85
From VIN X200001	R 8D0 857 508 GRU		52.55
	L 8D0 857 507 GRU		69.85
2000-02	R 8D0 857 508 GRU		52.55
	L 8D0 857 507 GRU		69.85
<i>(P) Paint to Match</i>			
10 Trim, Inner Corner			
	R 8D5 857 570 01C		2.10
	L 8D5 857 569 01C		5.95
11 Gskt, Mounting			
	R 8D0 857 544 A 01C		3.60
	L 8D0 857 543 A 01C		3.60

INTERIOR TRIM

R&I Trim Panel.....	R/L	.6
---------------------	-----	----

NOTE: All Parts in this section are included in R&R Trim Panel unless noted otherwise.



022-00945

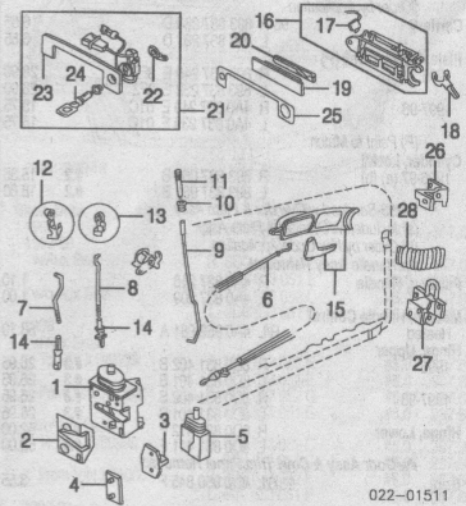
1 Panel, Trim]			
1996	R 8D0 867 104 DUP	.7	347.65
	L 8D0 867 103 DUP	.7	d320.35
1997	R 8D0 867 104 DUP	.7	347.65
To 7-96	L 8D0 867 103 DUP	.7	d320.35
From 8-96	R 8D1 867 104 C 4XB	.7	347.65
Cloth	L 8D1 867 103 C 4XB	.7	347.65
Leatherette	R 8D1 867 104 F B08	.7	347.65
	L 8D1 867 103 F B08	.7	347.65
Leather	R 8D1 867 104 A 9UB	.7	478.06
	L 8D1 867 103 A 9UB	.7	478.06
1998			
Cloth	R 8D1 867 104 G 5QK	.7	326.65
	L 8D1 867 103 G 5QK	.7	326.65
Royal Blue	R 8D1 867 104 AA 1XP	.7	326.65
	L 8D1 867 103 AA 1XP	.7	326.65
Terra Brown	R 8D1 867 104 J 5YP	.7	326.65
	L 8D1 867 103 J 5YP	.7	326.65
Leather	R 8D1 867 104 AC KSD	.7	405.64
Ecru Beige	L 8D1 867 103 AC KSD	.7	405.64
Mussel	R 8D1 867 104 M 8YE	.7	405.64
	L 8D1 867 103 M 8YE	.7	405.64
Onyx	R 8D1 867 104 AC 4SR	.7	405.64
	L 8D1 867 103 M 4SR	.7	d385.00
1999-02]			
Cloth	R 8D1 867 104 BL 38H	.7	347.65
Clay	L 8D1 867 103 BL 38H	.7	347.65

Onyx	R 8D1 867 104 CG 34R	.7	347.65
	L 8D1 867 103 CH 34R	.7	347.65
Leather	R 8D1 867 104 CQ JEA	.7	405.64
Ecru Beige	L 8D1 867 103 CR JEA	.7	468.85
Mussel	R 8D1 867 104 CQ JEK	.7	468.85
	L 8D1 867 103 CR JEK	.7	468.85
Onyx	R 8D1 867 104 CQ 4SR	.7	468.85
	L 8D1 867 103 CR 4SR	.7	468.85
2 Bezel, Upper]			
	R 8D1 867 172 A 9XB		12.70
	L 8D1 867 171 A 9XB		12.70
3 Moulding, Trim			
1996-97			
Alum	R 8D0 867 410 A Z53		37.65
	L 8D0 867 409 A Z53		37.65
Woodgrain	R 8D0 867 410 1WV		189.55
	L 8D0 867 409 1WV		189.55
1998-02]			
Blue	R 8D0 867 410 K 6MS		31.35
	L 8D0 867 409 K 6MS		31.35
Copper	R 8D0 867 410 H 2NQ		198.10
	L 8D0 867 409 H 2NQ		198.10
Graphite	R 8D0 867 410 L 8NQ		31.35
	L 8D0 867 409 L 8NQ		31.35
Gray	R 8D0 867 410 J 4ME		31.35
	L 8D0 867 410 J 4ME		31.35
Nut Brown	R 8D0 867 410 G 1SX		198.10
	L 8D0 867 409 G 1SX		198.10
<i>#Order by Application</i>			
4 Clip, Midg (5/Side)			
	R/L 4A0 853 107 A		2.10
5 Plate, Lower]			
	R 8D0 867 196 E89		2.95
	L 8D0 867 195 E89		3.00
<i>#Anthracite Gray listed, Order by Application</i>			
6 Handle, Inside-See Hardware Section			
7 Piece, Front Intermediate			
	R 8D0 867 692 01C		5.40
	L 8D0 867 691 01C		5.40
8 Piece, Rear Intermediate			
	R 8D0 867 694 01C		6.25
	L 8D0 867 693 01C		4.20
9 Seal, Front			
	R/L 8D0 867 368-7		7.50
10 Seal, Rear			
	R/L 8D0 867 382-1		2.75
11 Clip (4/Side)			
	R/L N 900 602 01		.22
12 Clamp, Lower (7/Side)			
	R/L 8D0 867 299		.92
13 Absorber, Sound			
	R 8D2 863 980 A		35.20
	L 8D1 863 979 A		35.20
14 Pad, Impact Speaker, Radio]			
Upper			
Sld Sound System	R/L 8D0 035 399 A	#	59.20
Base Sound System	R/L 8D0 035 399 B	#	57.05
<i>#Not included in R&R Trim Panel</i>			
Lower Front			
	R 8D0 035 412 B	#3	148.35
	L 8D0 035 411 B	#3	127.10
Lower Rear			
	R/L 8D0 035 412 A	#2	216.90
<i>#Order by Application</i>			
<i>#w/Trim Panel Removed, Not Included in R&R Door Trim Panel</i>			

HARDWARE
1996-98

Refinish Outside Handle.....	R/L	.4
Refinish Lower Trim Plate.....	R/L	.2
Refinish Upper Trim Plate.....	R/L	.2
Refinish Upper Hinge.....	R/L	.2
Refinish Lower Hinge.....	R/L	.2
R&I Outside Handle.....	R/L	#2.1

#Includes R&I Trim Panel, Mirror & Inner Panel



022-01511

1 Latch, Door			
	96 R 8D1 837 016 B	#4	131.85
	L 8D1 837 015 B	#4	131.85
	97-98 R 8D1 837 016 F	#4	83.35
	L 8D1 837 015 F	#4	127.00
<i>#w/Inner Panel Removed</i>			
2 Packing, Dust			
	R/L 4A0 837 088-7		3.85
3 Striker			
	R/L 4A0 837 035 C	#2	7.40
4 Plate, Striker			
	R/L 8D0 809 237	#2	2.25
<i>#R&R One Side Complete</i>			
5 Actuator, Power Lock-Serviced w/Door Latch			
	R/L 8D0 837 081 A		10.55