

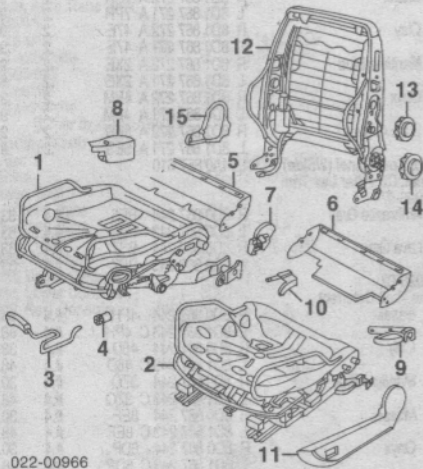
ROCKER/PILLARS/FLOOR Cont'd

INTERIOR TRIM Cont'd

L 800 853 905 9ZQ #8 44.20  
#Includes R&R/R&R Upper & Lower Center Pillar Trim

FRONT SEAT

R/L Front Seat (One Side) ..... R/L 5

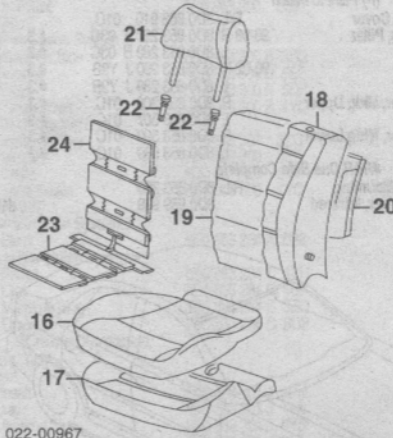


022-00966

Frame, Seat

1	Manual	R 800 881 026 E L 800 881 025 E	1.2 1.2	410.96 410.96
2	Power Flight Left	800 881 108	1.2	1745.97
	1996-97	800 881 107	1.2	1798.00
	To VIN V100000	800 881 107 C	1.2	1440.00
	From VIN V100001	800 881 107 C	1.2	1440.00
	1998	800 881 107 C	1.2	1440.00
	1999	800 881 107 C	1.2	1440.00
	To VIN X199999	800 881 107 D	1.2	1440.00
	From VIN X200001	800 881 107 D	1.2	1440.00
3	Lever, Seat Adjust	R 4A0 881 232 B 01C L 4A0 881 231 B 01C	15.05 12.15	
	1999	R 4A0 881 232 B 01C L 4A0 881 231 B 01C	15.05 12.15	
	To VIN X199999	R 800 881 232 A L 800 881 231 A	15.05 15.05	
	From VIN X200001	R 800 881 232 A L 800 881 231 A	15.05 15.05	
	2000-02	R 800 881 232 A L 800 881 231 A	15.05 15.05	
4	Bushing, Lever Panel, Seat Frame Trim	R/L 893 881 167	.52	
5	Man Seat	R 800 881 472 L 800 881 471 A	53.60 53.60	
6	Pwr Seat	R 800 881 472 A L 800 881 471 B	53.60 53.60	
<b>Cover, Track Channel</b>				
7	Outer	R 800 881 088 01C L 800 881 087 01C	5.35 5.35	
	Black	R 800 881 088 44A L 800 881 087 44A	5.35 5.35	
	Clay	R 800 881 088 P21 L 800 881 087 P21	5.35 5.35	
	Ecu Beige	R 800 881 088 3PF L 800 881 087 3PF	5.35 5.35	
	Mussel	R 800 881 088 1EJ L 800 881 087 1EJ	5.35 5.35	
	Onyx	R 800 881 088 9QP L 800 881 087 9QP	5.35 5.35	
	Royal Blue	R 800 881 088 9QP L 800 881 087 9QP	5.35 5.35	
8	Inner	96-97 R 4A0 881 088 B 01C L 4A0 881 087 B 01C	5.35 5.35	
	Black	96-01 R 4A0 881 088 B 9QP L 4A0 881 087 B 9QP	5.35 5.35	
	Royal Blue	96-01 R 4A0 881 088 B 9QP L 4A0 881 087 B 9QP	5.35 5.35	
<b>Cover, Friction Pad</b>				
9	Pwr Seat	96-97 800 881 446 98-02 800 881 446 A	19.35 20.90	
10	Outer	96-97 800 881 445 98-02 800 881 445 A	20.90 20.90	
	Black	96-97 800 881 445 98-02 800 881 445 A	20.90 20.90	
	Inner	96-97 800 881 445 98-02 800 881 445 A	20.90 20.90	
	Black	96-97 800 881 445 98-02 800 881 445 A	20.90 20.90	
<b>Order by Application</b>				
11	Cover, Outer Trim	R 800 881 326 E89 L 800 881 325 E89	28.55 44.60	
	Man Seat	L 800 881 325 E89 L 800 881 325 A E89	44.60 29.70	
	Pwr Seat	L 800 881 325 A E89	29.70	
<b>Anthracite Gray listed, Order by Application</b>				
12	Frame, Backrest	R 800 881 046 H L 800 881 045 K	2.0 2.0	422.51 422.51

	w/ Side Curtain Air Bag	R 800 881 046 G L 800 881 045 G	2.0 2.0	422.51 372.20
	Pwr Seat	L 800 881 045 L L 800 881 045 H	2.0 2.0	483.82 498.31
<b>Order by Application</b>				
13	Knob, Adjust	L 800 881 671 D 01C L 800 881 671 A 01C	6.15 5.15	
	w/Lumbar Support	L 800 881 671 D 01C L 800 881 671 A 01C	6.15 5.15	
14	w/ Side Curtain Air Bag	L 800 881 671 C 01C L 800 881 671 C 01C	7.95 7.95	
	w/ Side Curtain Air Bag	R 800 881 464 E89 L 800 881 463 E89	8.85 8.85	
15	Cap, Inner Frame	R 800 881 464 E89 L 800 881 463 E89	8.85 8.85	
<b>Anthracite Gray listed, Order by Application</b>				



022-00967

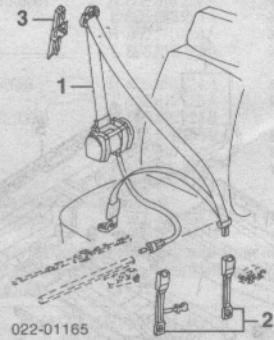
16	Cover, Seat	R/L 800 881 405 A CXU R/L 800 881 405 J 9UB	192.80 750.00	
	Cloth	R/L 800 881 405 A CXU	192.80	
	Leather	R/L 800 881 405 J 9UB	750.00	
	Leatherette	R/L 800 881 405 AK DZC	192.80	
	w/ Side Curtain Air Bag	R/L 800 881 405 D DZC	192.80	
	w/ Side Curtain Air Bag	R/L 800 881 405 D DZC	192.80	
<b>Anthracite Gray listed, Order by Application</b>				
17	Pad, Seat	R/L 800 881 361 G R/L 800 881 361 G R/L 800 881 361 H	158.05 158.05 337.15	
	Cloth Cover	R/L 800 881 361 G	158.05	
	w/ Side Curtain Air Bag	R/L 800 881 361 G	158.05	
	w/ Side Curtain Air Bag	R/L 800 881 361 G	158.05	
	Leather Cover	R/L 800 881 361 H	337.15	
<b>Order by Application</b>				
18	Cover, Backrest	R 800 881 806 N EH-X L 800 881 805 N EH-X	192.80 192.80	
	Cloth	R 800 881 806 N EH-X L 800 881 805 N EH-X	192.80 192.80	
	w/ Side Curtain Air Bag	R 800 881 806 A CXU L 800 881 805 A CXU	192.80 192.80	
	w/ Side Curtain Air Bag	R 800 881 806 A CXU L 800 881 805 A CXU	192.80 192.80	
	Leather	R 800 881 806 S 9UB L 800 881 805 S 9UB	730.00 730.00	
	w/ Side Curtain Air Bag	R 800 881 806 S 9UB L 800 881 805 S 9UB	730.00 730.00	
	w/ Side Curtain Air Bag	R 800 881 806 S 9UB L 800 881 805 S 9UB	730.00 730.00	
	Leatherette	R 800 881 806 AA DZC L 800 881 805 AA DZC	d183.00 d183.00	
	w/ Side Curtain Air Bag	R 800 881 806 AA DZC L 800 881 805 AA DZC	d183.00 d183.00	
	w/ Side Curtain Air Bag	R 800 881 806 AA DZC L 800 881 805 AA DZC	d183.00 d183.00	
<b>Anthracite Gray listed, Order by Application</b>				
19	Pad, Backrest	R/L 800 881 775 B R/L 800 881 777 A	124.35 106.05	
	w/Heated Seat	R/L 800 881 775 B R/L 800 881 777 A	124.35 106.05	
	w/ Side Curtain Air Bag	R/L 800 881 775 B R/L 800 881 777 A	124.35 106.05	
	w/ Side Curtain Air Bag	R/L 800 881 775 B R/L 800 881 777 A	124.35 106.05	
	w/ Heated Seat	R/L 800 881 775 B R/L 800 881 777 A	124.35 106.05	
	w/ Side Curtain Air Bag	R/L 800 881 775 B R/L 800 881 777 A	124.35 106.05	
	w/ Side Curtain Air Bag	R/L 800 881 775 B R/L 800 881 777 A	124.35 106.05	
<b>Order by Application</b>				
20	Panel, Rear Cover Trim	R/L 800 881 969 A 8FZ R/L 800 881 969 8FZ	103.30 115.90	
	w/Map Pocket	R/L 800 881 969 A 8FZ R/L 800 881 969 8FZ	103.30 115.90	
	w/ Side Curtain Air Bag	R/L 800 881 969 A 8FZ R/L 800 881 969 8FZ	103.30 115.90	
	w/ Side Curtain Air Bag	R/L 800 881 969 A 8FZ R/L 800 881 969 8FZ	103.30 115.90	
	w/ Map Pocket	R/L 800 881 969 A 8FZ R/L 800 881 969 8FZ	103.30 115.90	
	w/ Side Curtain Air Bag	R/L 800 881 969 A 8FZ R/L 800 881 969 8FZ	103.30 115.90	
	w/ Side Curtain Air Bag	R/L 800 881 969 A 8FZ R/L 800 881 969 8FZ	103.30 115.90	
21	Headrest	R/L 800 881 920 E89 R/L 800 881 920 A E89	11.50 5.35	
	Outer	R/L 800 881 920 E89 R/L 800 881 920 A E89	11.50 5.35	
	Inner	R/L 800 881 920 E89 R/L 800 881 920 A E89	11.50 5.35	
<b>Anthracite Gray listed, Order by Application</b>				
23	Element, Seat Heater	R/L 800 963 555 C R/L 800 963 555 C	151.85 151.85	
	Cloth Cover	R/L 800 963 555 C R/L 800 963 555 C	151.85 151.85	
	Leather Cover	R/L 800 963 555 C R/L 800 963 555 C	151.85 151.85	
24	Element, Backrest Heater	R/L 800 963 557 C R/L 800 963 557 A	110.55 121.25	
	Cloth Cover	R/L 800 963 557 C R/L 800 963 557 A	110.55 121.25	
	w/ Side Curtain Air Bag	R/L 800 963 557 C R/L 800 963 557 A	110.55 121.25	
	w/ Side Curtain Air Bag	R/L 800 963 557 C R/L 800 963 557 A	110.55 121.25	
	Leather Cover	R/L 800 963 557 C R/L 800 963 557 A	121.25 121.25	
	w/ Side Curtain Air Bag	R/L 800 963 557 C R/L 800 963 557 A	121.25 121.25	
	w/ Side Curtain Air Bag	R/L 800 963 557 C R/L 800 963 557 A	121.25 121.25	

REAR SEAT

R/L Rear Seat ..... 5

SEAT BELTS

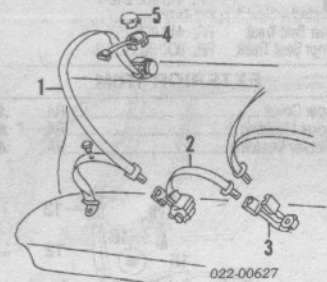
FRONT



022-01165

1	Belt, Seat (w/Tensioner)	R 800 857 706 V04 L 800 857 705 A V04	#1.0 #1.0	139.86 139.86
	1996-98	R 800 857 706 V04 L 800 857 705 A V04	#1.0 #1.0	139.86 139.86
	1999	R 800 857 706 V04 L 800 857 705 A V04	#1.0 #1.0	139.86 139.86
	To VIN X199999	R 800 857 706 D V04 L 800 857 705 D V04	#1.0 #1.0	139.86 139.86
	From VIN X200001	R 800 857 706 D V04 L 800 857 705 D V04	#1.0 #1.0	139.86 139.86
	2000-02	R 800 857 706 D V04 L 800 857 705 D V04	#1.0 #1.0	139.86 139.86
<b>Black listed, Order by Application</b>				
<b>#Includes R&amp;R/R&amp;R Upper &amp; Lower Center Pillar Trim Panels &amp; Scuff Plate</b>				
2	Buckle, Belt	R/L 800 857 755 C 01C	.2	34.20
<b>Order by Application</b>				
3	Adjuster, Belt	R/L 4A0 857 833 D		48.00

REAR



022-00627

1	Belt, Side	R/L 4A5 857 709 J V04	#4	47.75
	1996-97	R/L 4A5 857 709 J V04	#4	47.75
	1998-02	R/L 8D5 857 805 V04 R 8D9 857 806 D V04 L 8D9 857 805 D V04	#4 #4 #4	139.86 134.71 134.71
<b>#w/Rear Seat &amp; Package Shelf Tray Removed</b>				
2	Belt, Center	800 857 703 V04 800 857 703 B V04	#2 #2	47.75 47.75
	1996	800 857 703 V04	#2	47.75
	1997	800 857 703 B V04	#2	47.75
	1998-02	4B9 857 807 V04 800 857 703 B V04	#2 #2	139.86 47.75
	w/Fold Down Seat	4B9 857 807 V04	#2	139.86
	w/ Fold-Down Seat	800 857 703 B V04	#2	47.75
3	Buckle, Belt	800 857 739 B 01C	#2	34.20
	1996-97	800 857 739 B 01C	#2	34.20
	1998-02	800 857 739 D 01C 4B0 857 740 A 01C	#2 #2	34.20 26.13
<b>Black listed, Order by Application</b>				
<b>#w/Rear Seat Removed</b>				
4	Guide, Belt	R 800 857 728 E89 L 800 857 727 E89		8.04 8.04
<b>Anthracite Gray listed, Order by Application</b>				
5	Cover, Belt Guide	R/L 4A0 857 783 01C		1.90

FRONT DOOR

Use Procedure Explanations 16 and 28 with the following text.

SHEET METAL

Refinish Door Outside	R/L	2.0
Add for Jamb's & Interior	R/L	1.0
Add for Jamb's	R/L	.5
R&I Door Assy	R/L	1.0
R&I Inner Panel Assy	R/L	#1.7
<b>#Includes R&amp;I Trim Panel &amp; Rear View Mirror Assy</b>		