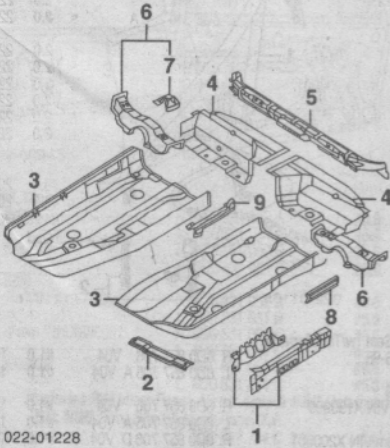


†Included w/Side Panel Assy
#Deduct 2.0 w/Roof Removed, Deduction Includes Common Surfaces & Included Operations

FLOOR

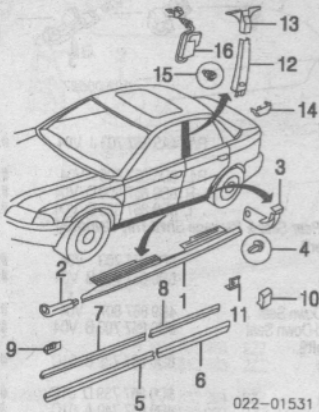


022-01228

1 Plate, Sidemember	96 R/L 800 803 762-1	s	1.5	71.20
	97-02 R 800 809 742 B	s	1.5	116.75
	L 800 809 741 B	s	1.5	116.75
2 Reinf, Tunnel	800 804 813 J			37.85
3 Pan, Front Floor	R 800 803 206			241.30
	L 800 803 205			348.75
4 Pan, Rear Apron	R 800 802 086 C			113.45
	L 800 802 085			106.70
5 Crossmember, Rear Pan	R 800 803 231			115.45
6 Support Assy, Seat	R 800 803 174 C			80.20
	L 800 803 173 G			80.20
7 Brkt, Seat†	R/L 443 803 242-1			28.75
	<i>†Included w/Seat Support Assy</i>			
8 Channel, Outer Seat Track	R/L 443 803 253			32.03
9 Channel, Inner Seat Track	R/L 800 803 254-3			28.55

EXTERIOR TRIM

Refinish Upper Cover.....	R/L	.4	
Refinish Rocker Moulding.....	R/L	.6	
R&I Outer Rocker Moulding.....	R/L	.4	

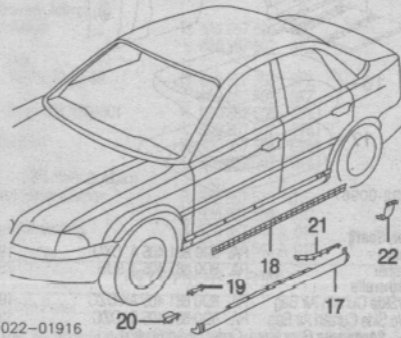


022-01531

1 Panel, Outer Sill				
1996-97				
To 7-96	R 800 853 492 B 01C	#.4		39.45
	L 800 853 491 B 01C	#.4		39.45
From 8-96	R 800 853 492 E 01C	#.4		26.95
	L 800 853 491 E 01C	#.4		26.95
1998	R 800 853 492 E 01C	#.4		26.95
	L 800 853 491 E 01C	#.4		26.95
1999				
To VIN X199999	R 800 853 492 E 01C	#.4		26.95
	L 800 853 491 E 01C	#.4		26.95
From VIN X200001	R 800 853 492 F 01C	#.4		200.20
	L 800 853 491 F 01C	#.4		200.20
2000-02				
A4	00-01 R 800 853 492 F 01C	#.4		200.20
	L 800 853 491 F 01C	#.4		200.20
S4	R 800 853 492 D 01C	#.4		120.10
	L 800 853 491 D 01C	#.4		120.10
2 Midg, Lower Fender-See Front Fender Section				
3 Cover, Rear				
1996-97				
To 7-96	R 800 854 858 A 01C	#.4		5.75
	L 800 854 857 A 01C	#.4		5.75
From 8-96	R 800 854 858 E 01C	#.4		14.50
	L 800 854 857 E 01C	#.4		14.50
1998-02	R 800 854 858 E 01C	#.4		14.50
	L 800 854 857 E 01C	#.4		14.50

#R&R One Side Complete, Includes R&R Lower Fender Midg

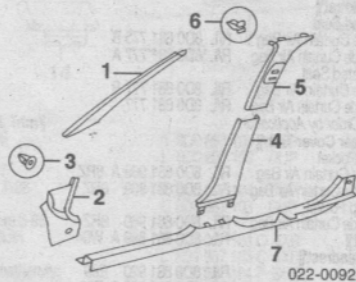
4 Clip, Cover	R/L N 908 214 01			.58
5 Midg, Lwr Frt Door-See Front Door Section				
6 Midg, Lwr Rear Door-See Rear Door Section				
7 Strip, Front Cover				
S4	R 800 853 966 B			47.55
	L 800 853 965 B			47.55
8 Strip, Rear Cover				
S4	R 800 853 976 B			42.85
	L 800 853 975 B			42.85
9 Clip†	800 853 909 B			.58
	<i>†As Required</i>			
10 Cover, Upper				
A4	R 800 854 862 B 01C	.4		4.25
	L 800 854 861 B 01C	.4		4.25
S4 (P)	R 800 854 862 A GRU	.4		22.10
	L 800 854 861 A GRU	.4		22.10
	<i>(P) Paint to Match</i>			
11 Clip, Cover	R/L 800 853 910 01C			2.00
12 Midg, Pillar	96-98 R 800 853 290 B 03C	#.3		20.55
	L 800 853 289 B 03C	#.3		20.55
	99-02 R 800 853 290 J Y9B	#.3		59.85
	L 800 853 289 J Y9B	#.3		61.40
13 Cover, Midg Upper	R 800 853 308 01C	#.3		10.30
	L 800 853 307 01C	#.3		10.30
14 Cover, Midg Lower	R 800 853 590 01C	#.3		1.70
	L 800 853 589 01C	#.3		1.70
	<i>#R&R One Side Complete</i>			
15 Nut, Mounting	R/L 800 853 380			.73
16 Receiver, Infrared	800 959 989			d157.30



022-01916

17 Moulding, Rocker (P)				
S4	R 800 853 860 GRU	.4		97.20
	L 800 853 859 GRU	.4		97.20
	<i>(P) Paint to Match</i>			
18 Strip, Retaining				
S4	R/L 800 853 942-1			95.40
19 Upper	R/L 800 854 984-3			9.85
20 Lower	R/L 800 854 974-3			15.65
21 Clamp, Rear	R/L 800 854 978-7			17.65
22 Holder, Cover				
S4	R 800 853 924 01C			17.65
	L 800 853 923 01C			17.65

INTERIOR TRIM



022-00922

1 Midg, Inside Garnish				
w/Side Curtain Air Bag-See Air Bag System Section				
w/o Side Curtain Air Bag-See Windshield Section				
2 Panel, Cowl Trim				
1996				
Anthracite Gray				
To 9-95	R 801 867 272 E89	.2		d9.15
	L 801 867 271 E89	.2		d9.15
From 10-95	R 801 867 272 A E89	.2		7.70
	L 801 867 271 A E89	.2		7.70
Lava Gray				
To 9-95	R 801 867 272 E40	.2		d9.15
	L 801 867 271 E40	.2		d8.90
From 10-95	R 801 867 272 A E40	.2		8.85
	L 801 867 271 A E40	.2		8.85
1997				
Anthracite Gray	R 801 867 272 A E89	.2		7.70
	L 801 867 271 A E89	.2		7.70
Lava Gray	R 801 867 272 A E40	.2		8.85
	L 801 867 271 A E40	.2		8.85
1998-99				

Basalt	R 801 867 272 A 7PR	.2		9.15
	L 801 867 271 A 7PR	.2		9.15
Clay	R 801 867 272 A 47E	.2		9.15
	L 801 867 271 A 47E	.2		9.15
Maritime Blue	R 801 867 272 A 6YS	.2		8.85
	L 801 867 271 A 6YS	.2		8.85
Mussel	R 801 867 272 A 3PF	.2		9.15
	L 801 867 271 A 3PF	.2		8.85
Onyx	R 801 867 272 A 1EJ	.2		8.85
	L 801 867 271 A 1EJ	.2		8.85
Terra Brown	R 801 867 272 A 9ZQ	.2		8.85
	L 801 867 271 A 9ZQ	.2		8.85
2000-02				
Basalt	R 801 867 272 A 7PR	.2		9.15
	L 801 867 271 A 7PR	.2		9.15
Clay	R 801 867 272 A 47E	.2		9.15
	L 801 867 271 A 47E	.2		9.15
Maritime Blue	R 801 867 272 A 2XE	.2		9.15
	L 801 867 271 A 2XE	.2		8.85
Onyx	R 801 867 272 A 4EM	.2		9.15
	L 801 867 271 A 4EM	.2		9.15
Slate Gray	R 801 867 272 A 5ES	.2		9.15
	L 801 867 271 A 5ES	.2		9.15
3 Clip, Cowl Panel (2/Side)	R/L 4A0 857 610			.58
4 Panel, Ctr Pillar Lwr Trim				
1996-97				
Anthracite Gray	R 800 867 244 BE5	#.4		33.55
	L 800 867 243 BE5	#.4		33.55
Lava Gray	R 800 867 244 BS7	#.4		33.55
	L 800 867 243 BS7	#.4		33.55
1998-02				
w/Theft Deterrent				
Basalt	R 800 867 244 4PH	#.4		33.55
	L 801 867 243 C 4PH	#.4		48.30
Clay	R 800 867 244 46D	#.4		33.55
	L 801 867 243 C 46D	#.4		48.30
Maritime Blue	R 800 867 244 3ZQ	#.4		30.50
	L 801 867 243 C 3ZQ	#.4		48.30
Mussel	R 800 867 244 8EF	#.4		30.50
	L 801 867 243 C 8EF	#.4		48.30
Onyx	R 800 867 244 6DP	#.4		30.50
	L 801 867 243 C 6DP	#.4		48.30
Slate	R 800 867 244 5FS	#.4		33.55
	L 801 867 243 C 5FS	#.4		48.30
Terra Brown	R 800 867 244 1YQ	#.4		30.50
	L 801 867 243 C 1YQ	#.4		48.30
w/o Theft Deterrent				
Basalt	R 800 867 244 4PH	#.4		33.55
	L 800 867 243 4PH	#.4		33.55
Clay	R 800 867 244 46D	#.4		33.55
	L 800 867 243 46D	#.4		33.55
Maritime Blue	R 800 867 244 3ZQ	#.4		30.50
	L 800 867 243 3ZQ	#.4		30.50
Mussel	R 800 867 244 8EF	#.4		30.50
	L 800 867 243 8EF	#.4		30.50
Onyx	R 800 867 244 6DP	#.4		30.50
	L 800 867 243 6DP	#.4		30.50
Slate	R 800 867 244 5FS	#.4		33.55
	L 800 867 243 5FS	#.4		33.55
Terra Brown	R 800 867 244 1YQ	#.4		30.50
	L 800 867 243 1YQ	#.4		30.50

5 Panel, Ctr Pillar Upper Trim				
1996-97†				
Ecru Beige	R 800 867 240 F BQ1	.3		32.80
	L 800 867 239 F BQ1	.3		32.80
Pearl Gray	R 800 867 240 F ED8	.3		30.50
	L 800 867 239 F ED8	.3		32.80
1998-02 (a)				
w/o Side Curtain Air Bag†				
Dark Gray	R 800 867 240 F 1EU	.3		30.50
	L 800 867 239 F 1EU	.3		30.50
Ecru Beige	R 800 867 240 F BQ1	.3		32.80
	L 800 867 239 F BQ1	.3		32.80
Light Gray	96-99 R 800 867 240 F 2EX	.3		30.50
	L 800 867 239 F 2EX	.3		30.50
	00-02 R 800 867 240 J 2EX	.3		32.80
	L 800 867 239 J 2EX	.3		32.80
	<i>†Order by Application</i>			
	<i>(a) w/Side Curtain Air Bag-See Air Bag System Section</i>			
6 Clip†	4B0 867 276 A			.52
	<i>†As Required</i>			
7 Plate, Scuff				
1996-97				
Anthracite Gray	R 800 853 906 E89	#.8		50.15
	L 800 853 905 E89	#.8		50.15
Lava Gray	R 800 853 906 E40	#.8		50.15
	L 800 853 905 E40	#.8		50.15
1998-02				
Clay	R 800 853 906 47E	#.8		50.15
	L 800 853 905 47E	#.8		50.15
Jive	R 800 853 906 43Y	#.8		047.60
	L 800 853 905 43Y	#.8		047.60
Lago	R 800 853 906 5SW	#.8		50.15
	L 800 853 905 5SW	#.8		047.60
Maritime Blue	98-99 R 800 853 906 6YS	#.8		44.20
	L 800 853 905 6YS	#.8		44.20
	00-02 R 800 853 906 2XE	#.8		50.15
	L 800 853 905 2XE	#.8		50.15
Mussel	98-99 R 800 853 906 3PF	#.8		44.20
	L 800 853 905 3PF	#.8		