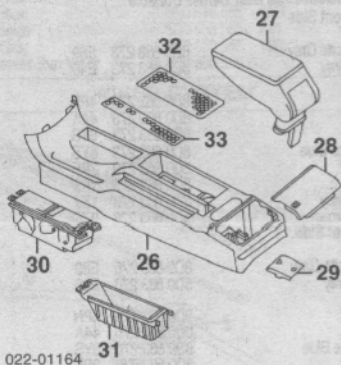


AUDI A4/S4 1996-02

CENTER CONSOLE Cont'd

15 Retainer, Upper Boot	1996-97	8D0 864 281 B	5.00
	1998-99	8D0 864 281 D	5.00
	2000-02	8D0 864 281 H 9PD	38.00
16 Retainer, Lower Boot	1996-97	8D0 863 279 C	6.50
	1998-99	8D0 863 279 F	6.35
	2000-02	8D0 863 279 K	6.50
*Order by Application			
17 Plate, Mounting	96-97	8D0 863 287	3.65
	98-02	8D0 863 287 B	6.00
18 Knob, Auto Trans Shift	1996-98	4B1 713 141 J KQF	92.70
	Leatherette	8D1 713 141 01C	84.60
	1999-02	4B1 713 141 J KQA	92.70
	Leather	4B1 713 141 H KQL	108.50
	Leatherette		
*Order by Application			
19 Bushing, Knob	Alum	4B0 713 169 9QM	9.50
	Black	8D0 713 169 E54	3.40
20 Cover, Shift	4 Speed Trans	8D1 713 110	72.20
	5 Speed Trans	8D1 713 110 A	70.05
21 Cover, Upper		8D0 863 289 B41	13.50
22 Plate, Mounting		8D0 863 287 A	5.10
23 Brkt, Upper Console		8D0 863 255 A	10.00
24 Brkt, Lower Console		8D0 863 251	12.40
25 Brkt, Rear Console	96-98	8D0 863 531	3.35
	99-02	8D0 863 531 B	3.70

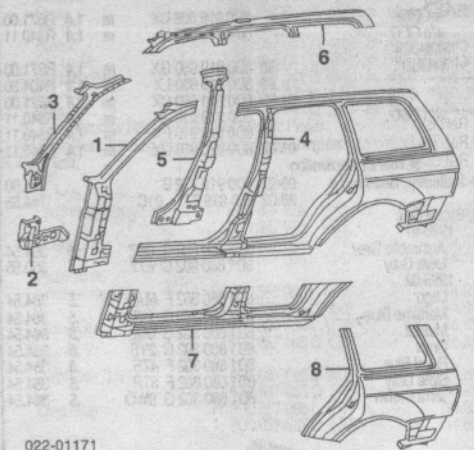


Lago	8D0 857 961 A 3SL	21.00	
Maritime Blue	8D0 857 961 A 3Z0	21.00	
Mussel	8D0 857 961 A 8EF	21.00	
Onyx	8D0 857 961 A 6DP	21.00	
Royal Blue	8D0 857 961 A 4SM	21.00	
Slate Gray	8D0 857 961 A 5FS	21.00	
Terra Brown	8D0 857 961 A 1YQ	21.00	
	8D0 863 274 01C	5.80	
29 Cover, Plug			
30 Holder, Cup	1996-97	8D0 862 533 AQ4	41.60
	1998-02		
	Basalt	8D0 862 533 E 4PH	29.90
	Clay	8D0 862 533 E 46D	29.90
	Maritime Blue	8D0 862 533 E 3ZQ	29.90
	Onyx	8D0 862 533 E 6DP	29.90
31 Tray, Console	1996-97		
	Anthracite Gray	8D0 863 300 BE5	12.60
	Lava Gray	8D0 863 300 BS7	12.60
	1998		
	w/Navigation System		
	Maritime Blue	8D0 863 300 B 3ZQ	12.85
	Mussel	8D0 863 300 B 8EF	12.85
	Onyx	8D0 863 300 B 6DP	12.85
	Terra Brown	8D0 863 300 B 1YQ	12.85
	w/o Navigation System		
	Maritime Blue	8D0 863 300 3ZQ	11.05
	Mussel	8D0 863 300 8EF	11.05
	Onyx	8D0 863 300 6DP	11.05
	Terra Brown	8D0 863 300 1YQ	11.05
	1999-02		
	w/Navigation System		
	Black	8D0 863 284 A B98	69.00
	w/o Navigation System		
	Basalt	8D0 863 284 C 4PH	69.00
	Clay	8D0 863 284 C 46D	69.00
	Maritime Blue	8D0 863 284 C 3ZQ	69.00
	Onyx	8D0 863 284 C 6DP	69.00
	Satin Black		
*Order by Application			
Lining, Tray			
32 Right			
	Basalt	8D0 863 301 J 4PN	4.80
	Clay	8D0 863 301 J 44A	4.80
	Maritime Blue	8D0 863 301 J 6YS	4.80
	Mussel	8D0 863 301 J 3PF	4.80
	Onyx	8D0 863 301 J 1EJ	4.80
	Satin Black	8D0 863 301 01C	4.80
	Terra Brown	8D0 863 301 J 9ZQ	4.80
33 Left			
	w/Navigation System		
	Basalt	8D0 863 301 M 4PN	10.45
	Clay	8D0 863 301 M 44A	10.45
	Maritime Blue	8D0 863 301 M 6YS	7.95
	Mussel	8D0 863 301 M 3PF	7.95
	Onyx	8D0 863 301 M 1EJ	7.95
	Terra Brown	8D0 863 301 M 9ZQ	7.95
	w/o Navigation System		
	Maritime Blue	8D0 863 301 K 6YS	4.80
	Mussel	8D0 863 301 K 3PF	4.80
	Onyx	8D0 863 301 K 1EJ	4.80
	Satin Black	8D0 863 301 B 01C	4.80

		L 8D5 809 837 C	s #16.0	344.50
#w/Quarter Panel Removed				
5 Pillar, Center Inner	1996	R/L 8D5 810 224-3	s	2.0 226.75
	1997			
	To VIN V006000	R/L 8D5 810 224-3	s	2.0 226.75
	From VIN V006001	R 8D5 810 224 A	s	2.0 226.75
		L 8D5 810 223 A	s	2.0 226.75
	1998	R 8D5 810 224 A	s	2.0 226.75
		L 8D5 810 223 A	s	2.0 226.75
	1999	R 8D5 810 224 A	s	2.0 226.75
	To VIN X199999	L 8D5 810 223 A	s	2.0 226.75
	From VIN X200001	R 8D5 810 224 B	s	2.0 226.75
		L 8D5 810 223 B	s	2.0 226.75
		R 8D5 810 224 B	s	2.0 226.75
		L 8D5 810 223 B	s	2.0 226.75
6 Plate, Filler		R/L 8D0 810 262-1		1.95
7 Rail, Outer Side Roof-See Roof Section		R 8D9 809 848 D	s #8.5	209.25
8 Panel, Outer Rocker		L 8D9 809 847 D	s #8.5	209.25
#w/Fender & Doors Removed, w/Quarter Panel Removed Deduct 2.0, Deduction Includes Common Surfaces & Included Operations				

ROCKER/PILLARS SHEET METAL WAGON

Refinish Hinge Pillar	R/L	1.4
Refinish Side Panel	R/L	4.4
Refinish Outer Quarter Panel	R/L	2.2
Add to Edge Panel	R/L	.5
Add for Pillar	R/L	.5
Refinish Outer Rocker Panel	R/L	1.6
Refinish Center Pillar (Section)	R/L	1.0
Section Center Pillar	R/L	#5.0
#Cut below Roof & at Base of Pillar		
R&R Both Quarter Panels		29.5
R&R Roof & Both Quarter Panels		
w/Sunroof		47.5
w/o Sunroof		46.0
Add to R&R Side Panel or Quarter Panel		
To R&I Quarter Glass	R/L	.2



1 Pillar, Hinge	R 8D9 809 840 D	s	9.5 209.25	
	L 8D9 809 839 D	s	9.5 209.25	
2 Plate, Upper Reinf	R 8D0 810 210 A	s	14.70	
	L 8D0 810 209 A	s	15.10	
3 Pillar, Upper Inner	1998	R 8D9 810 180 B	s	1.5 74.50
		L 8D9 810 179	s	1.5 56.85
	1999			
	To VIN X199999	R 8D9 810 180 B	s	1.5 74.50
		L 8D9 810 179	s	1.5 56.85
	From VIN X200001	R 8D9 810 180 B	s	1.5 74.50
		L 8D9 810 179 B	s	1.5 74.50
	2000-02	R 8D9 810 180 B	s	1.5 74.50
		L 8D9 810 179 B	s	1.5 74.50
4 Panel Assy, Side	R 8D9 809 838 D	s #25.5	618.00	
	L 8D9 809 837 D	s #25.0	618.00	
#Deduct 2.5 w/Roof Removed, Deduction Includes Common Surfaces & Included Operations				

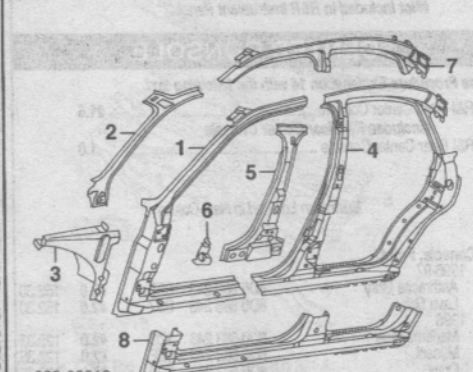
5 Pillar, Center Inner	1998	R 8D5 810 224 A	s	2.0 226.75
		L 8D5 810 223 A	s	2.0 226.75
	1999			
	To VIN X199999	R 8D5 810 224 A	s	2.0 226.75
		L 8D5 810 223 A	s	2.0 226.75
	From VIN X200001	R 8D5 810 224 B	s	2.0 226.75
		L 8D5 810 223 B	s	2.0 226.75
	2000-02	R 8D5 810 224 B	s	2.0 226.75
		L 8D5 810 223 B	s	2.0 226.75
6 Rail, Outer Side Roof-See Roof Section		R 8D9 809 848 D	s #8.5	209.25
7 Panel, Outer Rocker		L 8D9 809 847 D	s #8.5	209.25
#w/Fender & Doors Removed, w/Quarter Panel Removed Deduct 2.0, Deduction Includes Common Surfaces & Included Operations				
8 Panel, Outer Quarter		R 8D9 809 844 D	#15.0	393.55
		L 8D9 809 843 D	#15.0	393.55

ROCKER/PILLARS/FLOOR

Use Procedure Explanations 14, 15 and 28 with the following text.

ROCKER/PILLARS SHEET METAL SEDAN

Refinish Hinge Pillar	R/L	1.4
Refinish Rear Pillar Panel	R/L	3.0
Refinish Center Pillar	R/L	1.0
Refinish Outer Rocker Panel	R/L	1.6
Section Center Pillar	R/L	#5.0
#Cut below Roof & at Base of Pillar		



1 Pillar, Hinge	R 8D9 809 840 D	s	9.5 209.25
	L 8D9 809 839 D	s	9.5 209.25
2 Pillar, Upper Inner	R 8D0 810 180 D	s	1.5 74.50
	L 8D0 810 179 D	s	1.5 74.50
Reinf, Pillar Upper	R 8D0 809 194 A	s	39.90
	L 8D0 809 193 A	s	39.90
3 Plate, Upper Reinf	R 8D0 809 110 A	s	41.80
	L 8D0 809 109 A	s	41.80
4 Panel, Rear Pillar	R 8D5 809 838 C	s #16.0	344.50