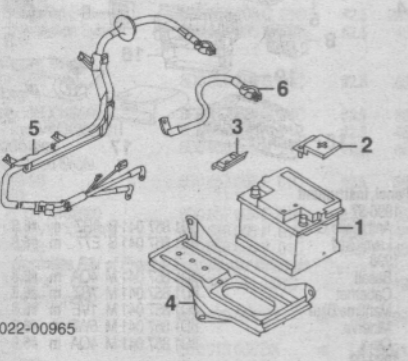


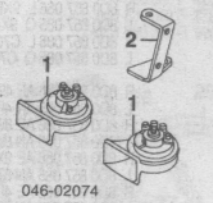
| | | | | |
|---|---|-------------|----------------|-------------------------|
| 2.7L, 2.8L Eng 90 Amp 120 Amp | 038 903 018 E 038 903 018 F | m m | 2.3 2.3 | 693.98 693.98 |
| *Order by Application | | | | |
| 2 Pulley, Alternator | | | | |
| 1996-98 1.8L Eng 2.8L Eng | 028 903 119 R 054 903 119 E | m m | #2 #2 | 21.55 53.85 |
| 1999-02 1.8L Eng 2.7L Eng 2.8L Eng | 068 903 119 C 078 903 119 H 038 903 119 K | m m m | #2 #2 #2 | 34.50 39.20 21.80 |
| *w/Alternator Removed | | | | |
| 3 Cover, Intake | | | | |
| 1996-98 1.8L Eng 2.8L Eng | 046 903 193 054 903 193 C | m m | | 11.60 21.80 |
| 1999-02 | 038 903 193 E | m | | 62.85 |
| *Order by Application | | | | |
| 4 Hose, Intake | | | | |
| 6 Cyl | 480 903 655 | | .3 | 15.30 |
| 5 Duct, Intake | | | | |
| | N.A. | | .3 | 0.00 |
| 6 Brkt, Alternator | | | | |
| | 078 903 143 K | | | 24.20 |

BATTERY



| | | | | |
|---|---|----------|-----|----------------------------|
| 1 Battery 70 Amp 82 Amp | 000 915 105 AE 000 915 105 AG | .5 .5 | | 115.90 115.91 |
| 2 Cap, Battery | 8D0 915 429 | | | 4.70 |
| 3 Clamp, Battery | 8D0 803 123 | | | 1.80 |
| 4 Brkt, Battery Support | 8D0 805 213 A | | | 13.55 |
| 5 Cable/Harness, Positive | | | | |
| 1.8L Eng 2.7L Eng 2.8L Eng | 8D1 971 225 C 8D1 971 225 P | | 3.9 | 136.75 136.75 |
| 1996-98 1999 | 8D1 971 225 E | | 3.9 | 136.75 |
| To VIN X199999 From VIN X200001 2000-02 | 8D1 971 225 E 8D1 971 225 N 8D1 971 225 N | | 3.9 | 136.75 136.75 136.75 |
| 6 Cable, Negative | 4B1 971 235 E | | 4 | 20.75 |

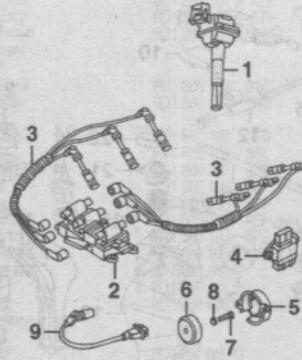
HORN



| | | | | |
|---------------------------------|--|----------------|--|----------------------------------|
| 1 Horn High Note Low Note | 96-97 8D0 951 223 98-02 8D0 951 223 A 96-97 8D0 951 221 98-02 8D0 951 221 A | .3 .3 .3 | | 61.25 73.75 61.25 73.75 |
| 2 Brkt, Horn Mounting | 8D0 951 229 C | | | 10.00 |

IGNITION/FUEL

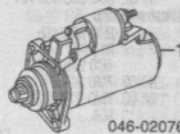
| | | | | |
|---|--------------------------------|----|------------|------------------|
| R&R Ignition Coils Complete..... | m | .5 | | |
| R&R Ignition Wires Complete | m | .8 | | |
| Illustration Located in Next Column | | | | |
| Module, Eng Control-See Electrical Components Section | | | | |
| 1 1.8L Eng (4) #R&R One or All | 058 905 105 | m | #.5 | 66.15 |
| 2 2.8L Eng (1) 1996-97 1999-01 | 078 905 101 C 078 905 104 | m | .5 | 294.45 209.40 |
| 3 Wire, Ignition Cyl 1 Cyl 2 | 078 905 531 B 078 905 532 B | m | #.8 #.8 | 24.20 24.20 |



046-02075

| | | | | |
|--|--|---|--------------------------|----------------------------------|
| Cyl 3 Cyl 4 Cyl 5 Cyl 6 | 078 905 533 B 078 905 534 B 078 905 535 B 078 905 536 B | m | #.8 #.8 #.8 #.8 | 24.20 37.40 37.40 37.42 |
| #R&R Complete | | | | |
| 4 Control Unit, Power Output | | | | |
| 1.8L Eng 1996-98 1999 | 4D0 905 351 | m | .6 | 378.00 |
| To VIN X199999 From VIN X200001 2000-02 | 4D0 905 351 8D0 905 351 8D0 905 351 | m | .6 .6 .6 | 378.00 164.75 164.75 |
| 2.7L Eng 2.8L Eng | N.A. 4A0 905 351 | m | .6 .6 | 0.00 306.50 |
| 5 Sender, Hall | | | | |
| 1.8L Eng 2.7L Eng 2.8L Eng | 078 905 161 C 078 905 161 B | m | 1.1 1.1 1.1 | 84.10 0.00 108.45 |
| #R&R Both Sides 1.8 | | | | |
| 6 Rotor, Impulse 7 Screw, Rotor 8 Washer, Rotor 9 Sender, Impulse | R/L 078 905 234 F R/L N 010 242 22 R/L 078 905 149 A | m | | 7.90 .67 2.50 |
| 1.8L Eng 2.7L Eng 2.8L Eng | 050 906 433 N.A. | m | .7 .7 | 98.55 0.00 |
| Main Trans Auto Trans | 078 906 433 B 06A 906 433 C | m | .7 .7 | 59.85 89.50 |

STARTER

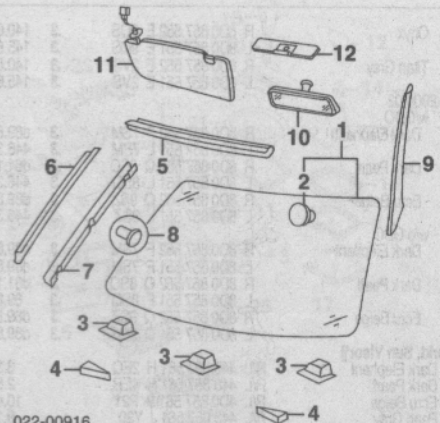


046-02076

| | | | | |
|--|--|---|------------------|-------------------------------|
| 1 Starter | | | | |
| New | | | | |
| 1996-98 1.8L Eng 2.8L Eng | 026 911 023 BX 078 911 023 | m | .8 1.9 | R238.75 475.09 |
| 1999 | | | | |
| 1.8L Eng To VIN X199999 From VIN X200001 | 026 911 023 BX 068 911 023 | m | .8 .8 | R238.75 403.05 |
| 2.8L Eng To VIN X199999 From VIN X200001 | 078 911 023 078 911 023 D | m | 1.9 1.9 | 475.09 516.00 |
| 2000-02 | | | | |
| 1.8L Eng 2.7L Eng 2.8L Eng | 068 911 023 078 911 023 D 078 911 023 D | m | .8 1.9 1.9 | 403.05 516.00 516.00 |
| Remanufactured | | | | |
| 1996-98 | | | | |
| 1.8L Eng 2.8L Eng | 068 911 023 BX 078 911 023 X | m | .8 1.9 | R242.35 R329.74 |
| 1999 | | | | |
| 1.8L Eng To VIN X199999 From VIN X200001 | 068 911 023 BX 068 911 023 X | m | .8 .8 | R242.35 R238.80 |
| 2.8L Eng To VIN X199999 From VIN X200001 | 078 911 023 X 078 911 023 DX | m | 1.9 1.9 | R329.74 R320.14 |
| 2000-02 | | | | |
| 1.8L Eng 2.7L Eng 2.8L Eng | 068 911 023 X 068 911 023 X 078 911 023 DX | m | .8 .8 1.9 | R238.80 R238.80 R320.14 |

WINDSHIELD

Use Procedure Explanation 13 with the following text.
R&R Windshield Glass #3.5
*Includes Clean Up Old Adhesive as Necessary



022-00916

| | | | | |
|---|--|--|------|--|
| 1 Glass Assy, Windshield | | | | |
| Aud | | | | |
| Clear/Shade Green Tint/Shade NAGS (Green/Green Shade) Premium Type Std Type | 8D0 845 099 AA 8D0 845 099 AA FW00823GGN P FW00823GGN | | #3.2 | 430.00 430.00 868.05 609.40 |
| *Includes Clean Up Old Adhesive as Necessary | | | | |
| 2 Plate, Mirror Retaining | | | | |
| | 701 845 543 A | | | 12.70 |
| *Included w/Audi Windshield Glass Assy | | | | |
| 3 Spacer, Lower Inner | | | | |
| | 8D0 845 237 | | | .58 |
| 4 Wedge, Adjustment | | | | |
| | R/L 8D5 845 631 | | | 1.90 |
| 5 Mdg, Upper Reveal | | | | |
| | 8D0 845 131 E 01C | | .3 | 13.85 |
| 6 Mdg, Side Reveal | | | | |
| 1996 To 8-95 | R 8D0 854 328 B 01C L 8D0 854 327 B 01C | | .3 | 12.05 12.05 |
| From 9-95 | R 8D0 854 328 C 01C L 8D0 854 327 C 01C | | .3 | 11.60 11.60 |
| 1997-02 | R 8D0 854 328 C 01C L 8D0 854 327 C 01C | | .3 | 11.60 11.60 |
| 7 Strip, Clamping | | | | |
| | R 8D0 845 454 A L 8D0 845 453 A | | | 13.85 13.85 |
| 8 Rivet, Strip (3/Side) | | | | |
| 9 Mdg, Inside Garnish | | | | |
| 1996-97 | | | | |
| Right | | | | |
| Ecru Beige Titan Gray | 8D0 867 234 P68 8D0 867 234 E86 | | .2 | 40.55 40.55 |
| Left | | | | |
| w/Telephone Ecru Beige Titan Gray w/o Telephone Ecru Beige Titan Gray | 8D1 867 233 D P68 8D1 867 233 D E86 8D0 867 233 P68 8D0 867 233 E86 | | .2 | 40.55 40.55 40.55 40.55 |
| 1998-99 | | | | |
| Right | | | | |
| Dark Pearl Ecru Beige Elephant Onyx | 8D0 867 234 2RP 8D0 867 234 3SA 8D0 867 234 1RE 8D0 867 234 4SL | | .2 | 32.80 32.80 31.35 31.35 |
| Left | | | | |
| w/Telephone Dark Pearl Ecru Beige Elephant Onyx | 8D1 867 233 D 2RP 8D1 867 233 D 3SA 8D1 867 233 D 1RE 8D1 867 233 D 4SL | | .2 | 40.55 40.55 40.55 40.55 |
| w/o Telephone Dark Pearl Ecru Beige Elephant Titan Gray | 8D0 867 233 2RP 8D0 867 233 3SA 8D0 867 233 1RE 8D0 867 233 E86 | | .2 | 32.80 32.80 32.80 40.55 |
| 2000-02 | | | | |
| w/ Side Curtain Air Bag Dark Pearl | R 8D0 867 234 F 2RP L 8D0 867 233 F 2RP | | .2 | 40.55 40.55 |
| Ecru Beige Elephant | R 8D0 867 234 F 3SA L 8D0 867 233 F 3SA R 8D0 867 234 F 1RE L 8D0 867 233 F 1RE | | .2 | 40.55 40.55 40.55 40.55 |
| *w/Side Curtain Air Bag-See Air Bag System Section | | | | |
| 10 Mirror, Rear View | | | | |
| 1996-98 1999-02 | 4D0 857 511 01C | | .2 | 82.73 |
| w/Auto Dimmer w/o Auto Dimmer | 4B0 857 511 C 01C 8D0 857 511 A 01C | | .2 | 239.20 75.83 |
| 11 Visor, Sun | | | | |
| 1996-99 | | | | |
| Dark Elephant | 96-98 R 8D0 857 552 E 4EQ L 8D0 857 551 E 4EQ 99 R 8D0 857 552 F 7SM L 8D0 857 551 F 7SM | | .3 | 140.00 145.60 89.80 89.80 |
| Dark Pearl | 96-98 R 8D0 857 552 E 5EU L 8D0 857 551 E 5EU 99 R 8D0 857 552 Q 8SQ L 8D0 857 551 F 8SQ | | .3 | 140.00 145.60 81.15 89.80 |
| Ecru Beige | 96-97 R 8D0 857 552 E 1VQ L 8D0 857 551 E 1VQ 98 R 8D0 857 552 E 1VQ L 8D0 857 551 E 1VQ 99 R 8D0 857 552 Q 9SQ L 8D0 857 551 Q 9SQ | | .3 | 132.50 132.50 132.50 132.50 89.80 89.80 |