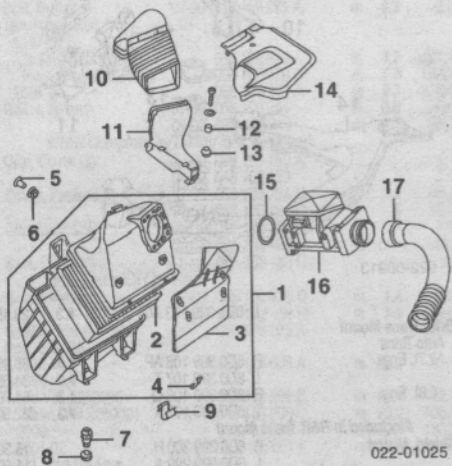


AIR CLEANER Cont'd

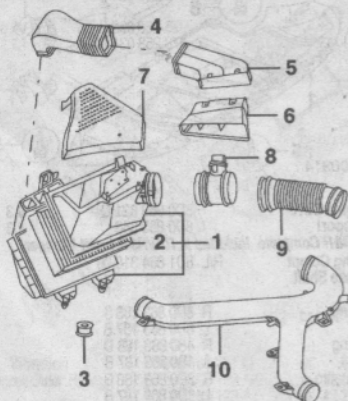
1.8L ENG Cont'd



13 Grommet, Mounting (2)	8D0 129 669			58
14 Cover	058 133 849 C			8.95
Bracket, Cover	803 959 849			1.10
15 Seal, Meter	058 133 485			7.90
16 Meter, Air Flow				
1997	058 133 471 A	m	.8	384.15
1998				
To VIN W040000	058 133 471 A	m	.8	384.15
From VIN W040001	037 906 461 C	m	.8	376.60
1999	037 906 461 C	m	.8	376.60
2000	06A 906 461 D	m	.8	215.76
2000-02	06A 906 461 L	m	.8	376.60
17 Hose, Manifold	97-00 058 133 356 L			4 38.90
	01-02 058 133 356 L			4 36.80

2.7L ENG

R&I Air Cleaner Assy A



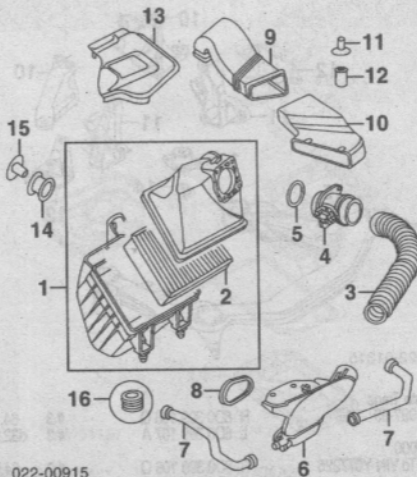
1 Cleaner Assy, Air	078 133 837 AB			4 168.80
2 Element, Air	058 133 843			3 21.80
<i>Included w/Air Cleaner Assy</i>				
3 Grommet, Lwr Mount (2)	8D0 129 669 A			4.05
4 Pipe, Intake	8D0 129 617 D			2 20.10
5 Duct, Intake	8D0 129 617 D			1 13.20
6 Duct, Front-Not Applicable				
7 Cover, Upper	078 133 849 H			2 14.75
8 Meter, Air Flow	078 906 461 B	m	.6	210.55
9 Hose, Intake	078 129 627 H			4 30.00
10 Hsg, Air Distribution-See Turbocharger/Intercooler Section				

**2.8L ENG
1996-98
(TO VIN W007799)**

R&I Air Cleaner Assy m .6

Illustration Located in Next Column

1 Cleaner Assy, Air	96-97 078 133 837 K	m	.6	168.80
	98 078 133 837 BD	m	.6	113.30
2 Element, Cleaner	058 133 843			4 21.80
<i>Included w/Air Cleaner Assy</i>				
3 Hose, Intake	8D0 129 627			4 31.15

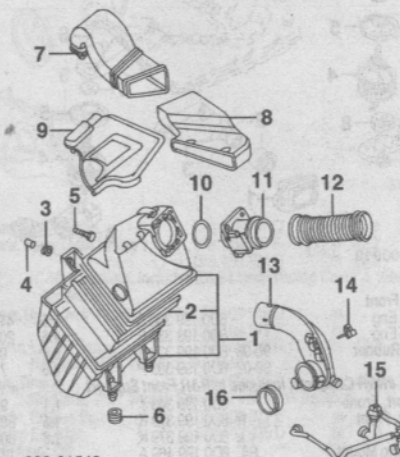


4 Meter, Air Flow	96-97 078 133 471 A	m	.8	511.00
	98 078 133 471 C	m	.8	316.05
	050 133 485			7.20
5 Gskt, Air Flow Meter	96 078 133 357 H			4 88.75
6 Duct, Air Intake	97-98 078 133 356 G			4 87.40
7 Hose, Breather				
1996-97	R 078 103 224 H			19.20
	L 078 103 221 B			59.95
	R 078 103 224 R			87.55
	L 078 103 223 B			19.20
	96 078 129 949			6.50
	97-98 078 129 949 C			8.05
8 Gskt, Air Intake Duct	8D0 129 617 AA			21.50
9 Pipe, Intake	078 129 617 A			2 13.85
10 Manifold, Intake	8D0 129 669			.58
11 Grommet, Retaining	8D0 129 669			.82
12 Spacer, Grommet	480 133 849 A			7.00
13 Cover, Upper	R/L 078 129 669			2.05
14 Mount, Rubber				
15 Sleeve, Rubber Mtg				
1996	R/L 078 133 861 C			1.50
To VIN T200000	R/L 078 133 861 D			2.30
From VIN T200001	R/L 078 133 861 D			2.30
1997-98	R/L 8D0 129 669 A			4.05
16 Mount, Rubber				

2.8L ENG

**1998-02
(FROM VIN W007800)**

R&I Air Cleaner Assy m .6

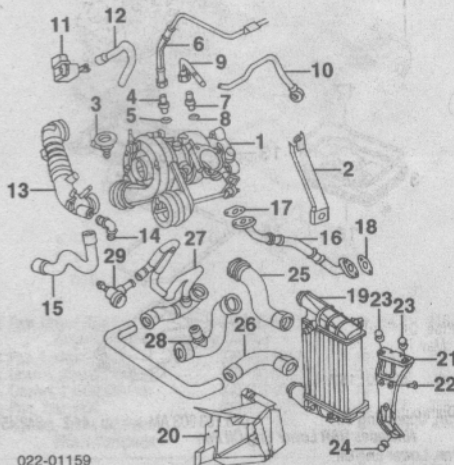


1 Cleaner Assy, Air	078 133 837 BD	m	.6	113.30
2 Element, Cleaner	058 133 843			4 21.80
<i>Included w/Air Cleaner Assy</i>				
3 Grommet, Upper	078 129 669			2.05
4 Sleeve	078 133 861 D			2.30
5 Bolt, Upper	N 010 221 3			.82
6 Mount, Rubber	8D0 129 669 A			4.05
7 Pipe, Intake	8D0 129 617 AA			#2 21.50
8 Manifold, Intake	078 129 617 A			#2 13.85
<i>#R&I Complete</i>				
9 Cover, Upper	480 133 849 A			2 7.00
10 Gskt, Air Flow Meter	078 133 485			20.10
11 Meter, Air Flow				
1996	078 133 471 C	m	.8	316.05
1999				
To VIN X199999	078 133 471 C	m	.8	316.05
From VIN X200001	078 133 471 E	m	.8	286.85
2000-02	078 133 471 E	m	.8	286.85
12 Hose, Intake	8D0 129 627			4 31.15

13 Duct, Air Intake	078 133 356 S			.4 46.95
14 Sensor, Temp	058 905 379	m	.2	38.15
15 Hose, Breather	078 103 224 R			87.55
16 Gskt, Air Intake Tube	98-99 078 129 949 C			8.05
	00-02 078 129 949 C			8.05

TURBOCHARGER/INTERCOOLER

1.8L ENG



022-01159

1 Turbocharger				
New	97-99 058 145 703 L	m	3.4	1575.00
	00-02 058 145 703 J	m	3.4	1575.00
	058 145 703 LX	m	3.4	R717.00
Remanufactured				
2 Bkrt, Turbocharger	97-00 058 145 536			16.10
	01-02 058 145 536 A			0.00
3 Valve, Pressure Regulator	034 129 101 A	m	.8	45.35
4 Adapter, Oil Pipe	N 020 704 3	m		15.95
5 Seal, Adapter	N 013 812 8	m		.27
6 Pipe, Oil				
97-98	058 145 778	m	1.0	72.65
99-00	058 145 771 C	m	1.0	120.25
01-02	068 145 771 N	m	1.0	99.05
	N 020 702 2	m		18.70
7 Adapter, Water Pipe	N 013 814 9	m		.22
8 Seal, Adapter	058 121 492 A	m		12.45
9 Pipe, Water	058 121 471 B	m		20.85
10 Hose, Water	058 906 283 F	m	.8	87.00
11 Valve, Change-Over	058 145 718 A	m		11.30
12 Hose	058 145 718 A	m		38.90
13 Duct, Air	068 133 989 C	m	.3	9.00
14 Adapter, Air Circulation Pipe	058 145 712 A	m		31.65
15 Pipe, Air Circulation	058 145 735 E	m	.7	89.80
16 Line, Oil Return	058 145 757 B	m		2.10
17 Gasket, Return Line Top	058 145 757 A	m		2.50
18 Gasket, Return Line Bottom	97-98 058 145 805 A	m	1.5	308.65
19 Intercooler	99-02 058 145 805 G	m	1.5	121.70
20 Duct, Air				
1996-98	8D0 117 339 B	m		21.65
1999				
To VIN X199999	8D0 117 339 B	m		21.65
From VIN X200001	8D0 117 339 C	m		21.65
2000-02	8D0 117 339 C	m		21.65
21 Bracket, Intercooler	8D0 145 813			5.65
22 Rivet (3)	N 904 515 01			.38
23 Grommet, Top Bracket	R/L 058 145 824 A			4.75
24 Grommet, Bottom Bracket	050 129 669			2.25
25 Hose, Top Pressure	480 145 838	m		59.50
26 Hose, Bottom Pressure	8D0 145 834	m		87.40
Hose, Cut-Off Valve				
27 Man Trans	058 145 832 B	m		169.00
28 Auto Trans	480 145 832 B	m		88.00
29 Valve, Cut-Off	034 145 710 C	m	.5	47.95

2.7L ENG

Illustration Located in Next Column

1 Turbocharger	R 078 145 702 S	m	#2.3	1575.00
	L 078 145 701 S	m	#1.6	1575.00
<i>#w/Engine/Trans Assy Removed, R&R Both 3.4</i>				
2 Gskt, Mounting	R/L 8D0 253 115 F	m		8.80
3 Line, Pressure Control	R 078 145 718 AA	m	.7	85.05
	L 078 145 718 AB	m	.7	85.05
4 Line, Oil Return	R 078 145 736 D	m	.9	99.05
	L 078 145 735 E	m	.9	87.55
5 Gskt, Oil Return	R/L 058 145 757 B	m		2.10
6 Pipe, Water Feed				
2000				
To VIN Y050000	R 078 121 598 A	m		70.45
	L 078 121 597 F	m		91.90
From VIN Y050001	R 078 121 598 B	m		70.45
	L 078 121 597 F	m		91.90
2001-02	R 078 121 598 B	m		70.45
	L 078 121 597 F	m		91.90
7 Pipe, Water Return	R 078 121 492 D	m		70.45
	L 078 121 491 D	m		70.45