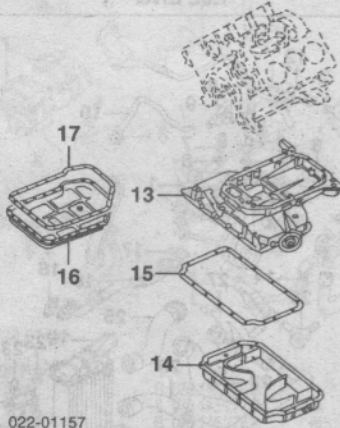


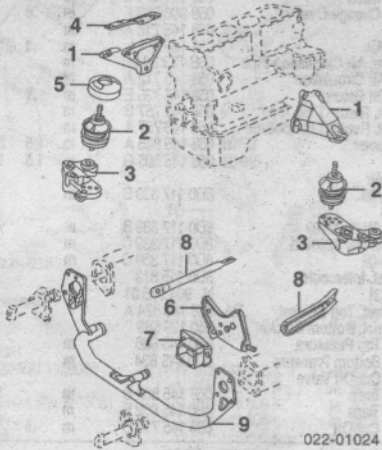
	L 078 103 471 R	m #1.0	68.00
<b>#R&amp;R Both Sides 1.8</b>			
10 Gasket Set, Valve Cover	078 196 025	m	45.85
11 Cover, Eng Up Center	078 103 927 P	m #3	59.30
12 Cover, Eng Up Side	R 078 103 936 E	m #3	37.15
	L 078 103 935 N	m #3	37.15
<b>#R&amp;R Complete</b>			



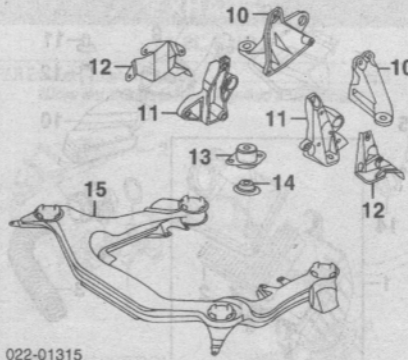
13 Pan, Upper Eng Oil	078 103 603 AM	m #4.2	342.45
<b>#Includes R&amp;R Lower Eng Oil Pan</b>			
14 Pan, Lower Eng Oil	078 103 604 AC	m 1.7	102.60
<b>1997-98</b>			
To VIN X260000	078 103 604 AC	m 1.7	102.60
From VIN X260001	078 103 604 AA	m 1.7	102.60
<b>2000-02</b>			
Sealant, Oil Pan	D 176 404 A2		26.95
15 Gasket, Eng Oil Pan	078 103 610 E	m	27.00
16 Pan, Trans Oil	01V 321 359 B	m #7	235.80
17 Gasket, Trans Oil Pan	01V 321 371	m #7	23.65
<b>#R&amp;R Complete</b>			

**ENGINE/TRANS MOUNTS**

**1.8L ENG**

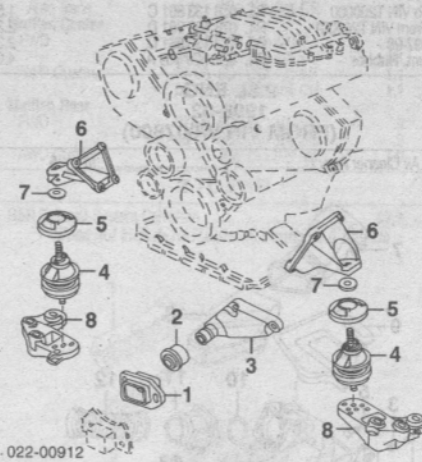


1 Bracket, Engine	97-00 R 8D0 199 306 G	#2	62.05
	L 8D0 199 305	#2	32.65
	02 R 8D0 199 306 P	#2	48.75
	L 8D0 199 305	#2	32.65
<b>#w/Mount Removed</b>			
2 Mount, Eng Side	R 8D0 199 382 L	1.1	120.60
	L 8D0 199 379 J		36.85
3 Brkt, Mount	R 8E0 199 352 D	1.1	80.80
	L 8E0 199 351 F		35.90
4 Plate, UpR Right Mount Cover	8D0 199 388 G		19.30
5 Plate, Lwr Right Mount Cover	8D0 199 469 A		13.90
6 Plate, Stop	8D0 199 225 H		24.15
7 Stop	97-00 8D0 199 335 P	.6	17.25
	01-02 8D0 199 335 Q	.6	26.40
8 Support	R 8D0 199 401 A		17.25
	L 8D0 199 401		3.90
<b>9 Tube, Eng Cross-See Front Inner Structure Section</b>			
<i>Illustration Located in Next Column</i>			
10 Brkt, Trans Mount	R 8D0 399 108 R	#3	64.70
Man Trans	L 8D0 399 113 AG	#3	23.15

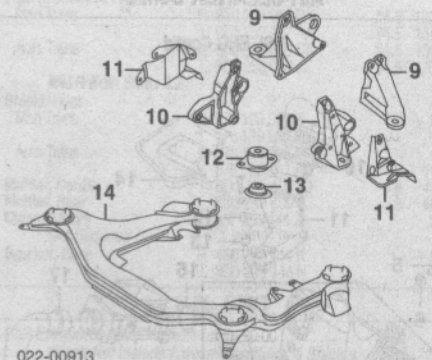


11 Auto Trans	R 8D0 399 108 Q	#3	64.70
1997-99	L 8D0 399 107 A	#3	d32.90
<b>2000</b>			
To VIN Y077226	R 8D0 399 108 Q	#3	64.70
From VIN Y077227	L 8D0 399 107 A	#3	d32.90
	R 8D0 399 108 AP	#3	66.95
	L 8D0 399 107 T	#3	34.65
2001-02	R 8D0 399 108 AP	#3	66.95
	L 8D0 399 107 T	#3	34.65
<b>#Included in R&amp;R Trans Mount</b>			
12 Shield, Mount	R 8D0 399 300 H	15.30	
Auto Trans	L 8D0 399 299 A	11.50	
13 Mount, Trans	R 8D0 399 151 J	#7	23.15
Man Trans	L 8D0 399 151 H	#7	58.55
<b>#R&amp;R Both Sides .9</b>			
Auto Trans	R/L 8D0 399 151 R	#5	47.55
<b>#R&amp;R Both Sides .8</b>			
14 Stop, Mount	R/L 431 399 291		18.85
15 Sub-Frame-See Front Inner Structure Section			

**2.7L, 2.8L ENG**

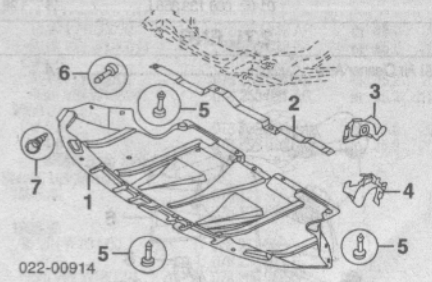


1 Stop, Front	8D0 199 335 S	#6	44.50
2.7L Eng	8D0 199 335 F	#6	20.70
2.8L Eng			
2 Stop, Rubber	96-98 8D0 199 339 A	#6	9.75
	99-02 8D0 199 339 P	#6	7.20
<b>#R&amp;R Complete, Included in R&amp;R Front Support</b>			
3 Support, Front	8D0 199 343 J	1.1	9.50
4 Mount, Front	R 8D0 199 379 K	1.5	80.80
	L 8D0 199 379 K	1.8	80.80
5 Cap, Eng Mount	R/L 8D0 199 469 A		13.90
6 Brkt, Front Mount	R 8D0 199 308 D	#2	31.75
	L 8D0 199 307 G	#2	32.65
<b>#w/Mount Removed</b>			
7 Spacer, Mount	R/L N 906 467 01		27
8 Brkt, Lower	R 8E0 199 352 D		36.85
	L 8E0 199 351 F		35.90
<i>Illustration Located in Next Column</i>			
9 Brkt, Trans Mount	R 8D0 399 108 AN	#3	66.95
Man Trans	L 8D0 399 107 S	#3	32.25
2.7L Eng	96 R 8D0 399 108 G	#3	66.95
	L 8D0 399 113 P	#3	68.95
2.8L Eng	97-02 R 8D0 399 108 R	#3	64.70



10 Brkt, Trans Mount	L 8D0 399 113 AG	#3	23.15
Auto Trans	R 8D0 399 108 AP	#3	66.95
2.7L Eng	L 8D0 399 107 T	#3	34.65
2.8L Eng	R 8D0 399 108 Q	#3	64.70
	L 8D0 399 107 A	#3	d32.90
<b>#Included in R&amp;R Trans Mount</b>			
11 Shield, Mount	R 8D0 399 300 H	15.30	
	L 8D0 399 299 A	11.50	
12 Mount, Trans	R/L 4B0 399 151 M	2.4	64.60
Man Trans	R/L 8D0 399 151 M	2.4	68.95
2.7L Eng	R/L 8D0 399 151 T	2.4	47.55
Auto Trans	R/L 8D0 399 151 R	2.4	47.55
2.8L Eng	R/L 431 399 291		18.85
13 Stop, Mount			
14 Sub-Frame-See Front Inner Structure Section			

**ENGINE UNDER COVER**



1 Pan, Engine Cover	8D0 863 821 Q	#3	167.10
2 Brkt, Support	8D0 863 843	#3	12.05
<b>#R&amp;R Complete, Included in R&amp;R Front Bumper</b>			
3 Cover, Eng Comp	R/L 8D1 864 310-09		5.55
4 Cover, Axle Shaft			
<b>FWD</b>			
1.8L Eng	R 8D0 863 188 B		17.25
	L 8D0 863 187 B		14.35
2.8L Eng	R 4B0 863 188 D		30.55
	L 4B0 863 187 B		30.55
AWD Quattro	R 8D0 863 188 B		17.25
	L 8D0 863 187 B		14.35
5 Clip, Mounting (3)	8D0 805 121		3.10
6 Pin, Mounting	R/L 4A0 805 121 A		2.60
7 Clip, Mounting	R/L 4A0 805 163		1.20

**AIR CLEANER**

**1.8L ENG**

R&I Air Cleaner Assy		m .6	
<i>Illustration Located in Next Column</i>			
1 Cleaner Assy, Air	97 058 133 837 K	m	.6 287.60
	98-99 058 133 837 M	m	.6 287.60
	00-02 058 133 837 AJ	m	.6 287.60
2 Element, Filter	058 133 843		.4 21.80
3 Shield, Heat	058 133 833 A		.6 39.45
4 Clip, Housing (4)	078 129 797		1.70
<b>#Included w/Air Cleaner Assy</b>			
5 Sleeve, UpR Mount	078 133 861 D		2.30
6 Grommet, UpR Mount	078 129 669 A		2.20
7 Grommet, Lwr Mount (2)	8D0 129 669 A		4.05
8 Plug, Grommet (2)	4A0 129 697		1.20
9 Clip, Hose	171 201 981		1.20
10 Duct, Intake	8D0 129 617 AA		.2 21.50
11 Manifold, Intake Air	058 129 617 D	#2	19.80
<b>#Includes R&amp;R Intake Duct</b>			
12 Sleeve, Mounting (2)	8D0 129 734		.82