

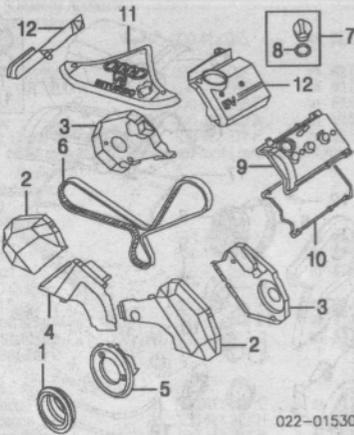
ENGINE/TRANS Cont'd

1.8L ENG Cont'd

2001-02	06B 109 243 D	m	#3	80.35
9 Bolt, Pulley	97-00 058 109 281 A	m	#3	6.80
10 Tensioner, Belt				
1997-00				
To Eng AEB300000	058 109 479	m	#3	477.20
From Eng AEB300001	058 109 479 B	m	#3	192.75
2001-02	06B 109 477 A	m	#3	113.45
11 Roller, Return	97-00 058 109 244	m	#3	38.60
01-02 06B 109 244		m	#3	38.25
#R&R Complete, w/Timing Belt Removed				
12 Clip, Cover (2)	97-00 078 109 150 A			1.10
01-02 048 109 150				2.10
13 Cover, Protective	97-00 058 103 724 N	A		48.80
01-02 058 103 724 S		A		48.80
14 Cap Assy, Oil	97-99 06B 103 485 B			5.95
00-02 06A 103 485 F				3.60
15 Seal, Oil Cap	06A 103 483 D			1.80
Included w/Oil Cap Assy				
16 Cover, Valve	97-00 06B 103 475 D	m	1.4	89.80
01-02 06B 103 469 N		m	1.4	89.80
058 198 025 A		m		34.25
17 Gasket, Valve Cover				
18 Pan, Eng Oil	058 103 603 A	m	#3.9	91.10
1996-98				
1999				
To VIN X260000	058 103 598 E	m	#3.9	132.20
From VIN X260001	058 103 598 C	m	#3.9	105.20
2000	058 103 598 C	m	#3.9	105.20
2001-02	06B 103 601 P	m	#3.9	121.40
19 Gskt, Eng Oil Pan				
1996-98	058 103 609	m	#3.9	27.50
1999				
To VIN X199999	058 103 609	m	#3.9	27.50
From VIN X200001	D 176 404 A2	m	#3.9	26.95
2000-02	D 176 404 A2	m	#3.9	26.95
#R&R Complete, Includes R&R Sub-Frame Assy				
20 Pan, Trans Oil	01V 321 359 B	m	1.6	235.80
21 Gasket, Trans Oil Pan	01V 321 371	m		23.65

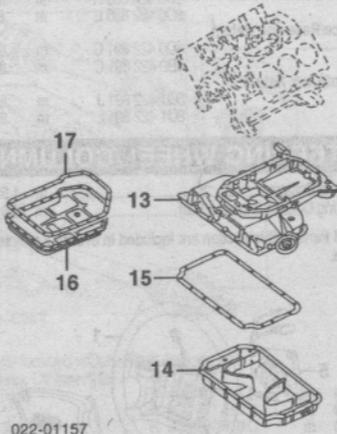
2.7L ENG

R&I Engine/Trans Assy.....m 14.8



022-01530

1 Damper, Vibration	078 105 251 Q	m	.8	305.25
2 Cover, Upper Outer Timing	R 078 109 123 AK	m	#2.2	29.85
L 078 109 123 AJ		m	#2.2	29.85
#R&R Complete, Includes R&R Center & Lower Timing Covers & Vibration Damper				
3 Cover, Upper Inner Timing				
Man Trans	R 078 109 145 AC	m		23.25
L 078 109 107 S		m		23.25
Auto Trans	R 078 109 145 AC	m		23.25
L 078 109 107 S		m		23.25
4 Cover, Center Timing	078 109 107 M	m	#2.2	23.25
5 Cover, Lower Timing	078 109 127 E	m	#2.2	18.65
#R&R Complete, Includes R&R Vibration Damper				
6 Belt, Timing	078 109 119 H	m	#4.2	45.15
#Includes R&R Outer Timing Covers & Vibration Damper				
7 Cap Assy, Oil	078 103 485 D			5.65
8 Seal, Oil Cap	06A 103 483 D			1.80
Included w/Oil Cap Assy				
9 Cover, Valve	R 078 103 472 AG	m	#1.0	59.85
L 078 103 471 T		m	#1.0	68.00
#R&R Both Sides 1.8				
10 Gasket Set, Valve Cover	078 198 025	m		45.85
11 Cover, Upr Center Eng	078 103 927 AG	m		40.40
12 Cover, Upr Side Eng	R 078 103 936 B	m		19.20
L 078 103 935 L		m		37.15
<i>Illustration Located in Next Column</i>				
13 Pan, Upper Eng Oil	078 103 603 AG	m	#5.4	342.45
#Includes R&R Lower Eng Oil Pan				
14 Pan, Lower Eng Oil	078 103 604 AA	m	3.2	102.60

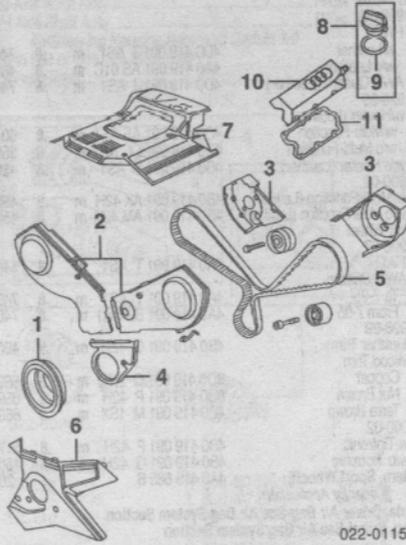


022-01157

Sealant, Oil Pan	D 176 404 A2			26.95
15 Gasket, Eng Oil Pan-Not Serviced				
16 Pan, Trans Oil	01V 321 359 B	m	#7	235.80
17 Gasket, Trans Oil Pan	01V 321 371	m	#7	23.65
#R&R Complete				

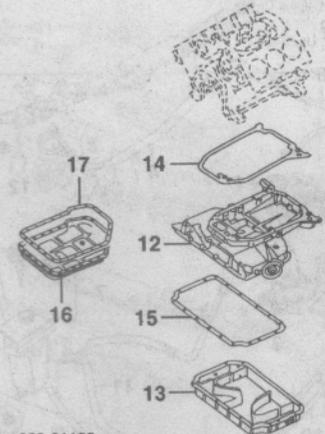
2.8L ENG
1996-97
(TO 4-97)

R&I Engine/Trans Assy.....m 8.3



022-01154

1 Damper, Vibration	078 105 251 Q	m	.8	305.25
2 Cover, Upper Outer Timing	R 078 109 107 F	m	#2.2	20.60
L 078 109 107 G		m	#2.2	20.60
#R&R Complete, Includes R&R Lower Timing Cover & Vibration Damper				
3 Cover, Upper Inner Timing	R 078 109 145 Q	m		24.50
L 078 109 145 P		m		24.50
4 Cover, Lower Timing	078 109 127 C	m	#2.2	19.20
#Includes R&R Vibration Damper				
5 Belt, Timing	078 109 119 D	m	#3.5	72.50
#Includes R&R Timing Covers & Vibration Damper				
6 Cover, Engine Belt	078 103 927 E	m	.3	41.80
7 Cover, Eng Upr	078 103 935 D	m	.3	114.85
8 Cap Assy, Oil				
1996	06B 103 485 B			5.95
To VIN T076000	06B 103 485 B			5.95
From VIN T076001	078 103 485 D			5.65
1997	078 103 485 D			5.65
9 Seal, Oil Cap	06A 103 483 D			1.80
Included w/Oil Cap Assy				
10 Cover, Valve				
1996				
To VIN T076000	R 078 103 472 A	m	#1.0	129.40
From VIN T076001	L 078 103 471 A	m	#1.0	124.40
	R 078 103 472 D	m	#1.0	70.05
	L 078 103 471 D	m	#1.0	70.05
1997	R 078 103 472 D	m	#1.0	70.05
	L 078 103 471 D	m	#1.0	70.05
#R&R Both Sides 1.8				
11 Gasket, Valve Cover				
1996	R/L 078 103 483 L	m		14.70
1997				
To VIN V084386	R/L 078 103 483 L	m		14.70
From VIN V084387	R/L 078 103 483 J	m		12.20

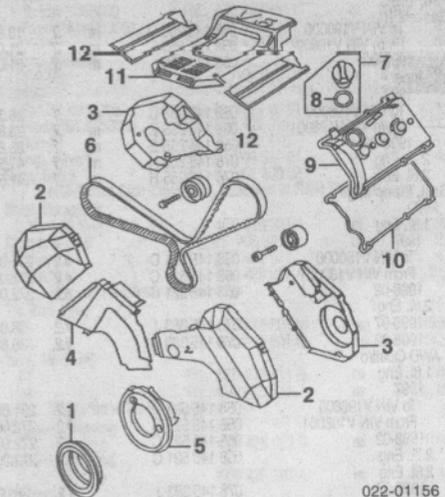


022-01155

12 Pan, Upper Eng Oil	078 103 603 M	m	#4.2	418.75
#Includes R&R Lower Eng Oil Pan				
13 Pan, Lower Eng Oil	078 103 604 F	m	1.7	102.60
14 Gasket, Upper Oil Pan	078 103 609 F	m		23.55
15 Gasket, Lower Oil Pan	078 103 609 G	m		23.55
16 Pan, Trans Oil	01V 321 359 B	m	#7	235.80
17 Gasket, Trans Oil Pan	01V 321 371	m	#7	23.65
#R&R Complete				

2.8L ENG
1997-01
(FROM 4-97)

R&I Engine/Trans Assy.....m 8.3



022-01156

1 Damper, Vibration	078 105 251 Q	m	.8	305.25
2 Cover, Upper Outer Timing	R 078 109 107 Q	m	#2.2	23.25
L 078 109 107 H		m	#2.2	26.00
#R&R Complete, Includes R&R Center & Lower Timing Covers & Vibration Damper				
3 Cover, Upper Inner Timing	R 078 109 145 T	m		23.25
L 078 109 098 C		m		23.25
4 Cover, Center Timing				
1997	078 109 107 J	m	#2.2	24.90
1998				
To VIN W007799	078 109 107 J	m	#2.2	24.90
From VIN W007800	078 109 107 M	m	#2.2	23.25
1999-02	078 109 107 M	m	#2.2	23.25
5 Cover, Lower Timing				
1997	078 109 127 C	m	#2.2	19.20
1998				
To VIN W007799	078 109 127 C	m	#2.2	19.20
From VIN W007800	078 109 127 E	m	#2.2	18.65
1999-02	078 109 127 E	m	#2.2	18.65
#R&R Complete, Includes R&R Vibration Damper				
6 Belt, Timing	078 109 119 H	m	#3.5	45.15
#Includes R&R Outer Timing Covers				
7 Cap Assy, Oil	078 103 485 D			5.65
8 Seal, Oil Cap	06A 103 483 D			1.80
Included w/Oil Cap Assy				
9 Cover, Valve				
1997	R 078 103 476 G	m	#1.0	123.00
L 078 103 475 G		m	#1.0	123.00
1998				
To VIN W007799	R 078 103 476 G	m	#1.0	123.00
From VIN W007800	L 078 103 475 G	m	#1.0	123.00
	R 078 103 472 R	m	#1.0	68.00
	L 078 103 471 R	m	#1.0	68.00
1999-02	R 078 103 472 R	m	#1.0	68.00