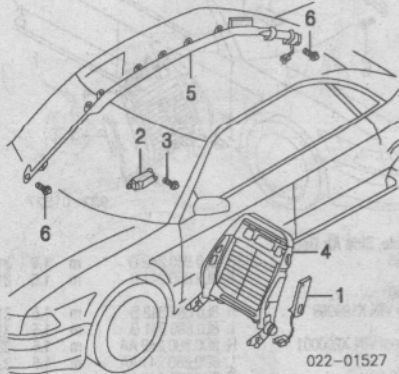


AIR BAG SYSTEM Cont'd

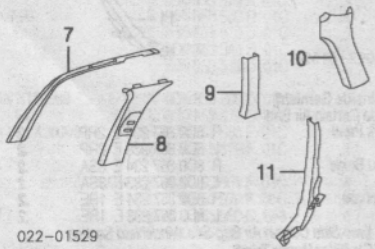
SIDE WAGON

- Disable & Enable Air Bag System..... m .3
- Diagnose Air Bag System (If Required)..... m #.5
- #Includes Disconnect & Connect Scan Tool & Retrieve/Clear Trouble Codes



022-01527

1 Module, Side Air Bag					
1998	R 8L0 880 242 B	m	1.5	312.05	
	L 8L0 880 241 B	m	1.5	310.80	
1999					
To VIN X199999	R 8L0 880 242 B	m	1.5	312.05	
	L 8L0 880 241 B	m	1.5	310.80	
From VIN X200001	R 8D0 880 242 AA	m	1.5	320.15	
	L 8D0 880 241 AA	m	1.5	320.15	
2000-02	R 8D0 880 242 AA	m	1.5	320.15	
	L 8D0 880 241 AA	m	1.5	320.15	
2 Sensor, Side Air Bag Control					
1998	R/L 8D0 959 643 A	m	.7	293.05	
1999					
To VIN X199999	R/L 8D0 959 643 A	m	.7	293.05	
From VIN X200001	R/L 8D0 959 643 B	m	.7	140.15	
2000-02	R/L 8D0 959 643 B	m	.7	140.15	
3 Bolt, Sensor (2/Side)	R/L N 014 774 1			1.10	
4 Pad, Backrest-See Seat Section					
5 Module, Side Curtain Air Bag	R 8D5 880 742 B	m	#1.8	416.21	
	L 8D5 880 741 B	m	#1.8	416.21	
#/Headliner Removed					
6 Bolt, Socket †	N 104 882 01			.33	
†As Required					
7 Midg, Inside Garnish †					
w/Side Curtain Air Bag					
Dark Pearl	R 8D0 867 234 E 2RP	.4		111.70	
	L 8D0 867 233 E 2RP	.4		111.70	
Ecru Beige	R 8D0 867 234 E 3SA	.4		111.70	
	L 8D0 867 233 E 3SA	.4		111.70	
Elephant	R 8D0 867 234 E 1RE	.4		111.70	
	L 8D0 867 233 E 1RE	.4		111.70	
†w/o Side Curtain Air Bag-See Windshield Section					
8 Panel, Ctr Pillar Upper Trim †					
w/Side Curtain Air Bag					
Dark Gray	R 8D0 867 240 L 1EU	.3		32.80	
	L 8D0 867 239 L 1EU	.3		32.80	
Ecru Beige	R 8D0 867 240 L BQ1	.3		32.80	
	L 8D0 867 239 L BQ1	.3		32.80	
Light Gray	R 8D0 867 240 L 2EX	.3		32.80	
	L 8D0 867 239 L 2EX	.3		32.80	
†w/o Side Curtain Air Bag-See Rocker/Pillars/Floor					
Panel, Upper Trim †					
9 Quarter Pillar					
w/Side Curtain Air Bag					
Beige	R 8D9 867 242 C BQ1	.3		25.95	
	L 8D9 867 241 C BQ1	.3		25.95	
Dark Gray	R 8D9 867 242 C 1EU	.3		25.95	
	L 8D9 867 241 C 1EU	.3		25.95	
Light Gray	R 8D9 867 242 C 2EX	.3		25.95	
	L 8D9 867 241 C 2EX	.3		25.95	
Onyx	R 8D9 867 242 C 6DP	.3		25.95	
	L 8D9 867 241 C 6DP	.3		25.95	
10 Back Pillar-See Quarter Panel Section					
11 Panel, Lower Trim-See Quarter Panel Section					

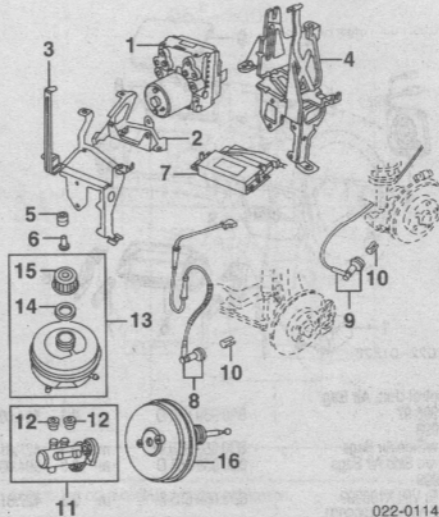


022-01529

ABS/BRAKES

Bleed System..... m .4

NOTE: R&R Does Not include bleed brake system.

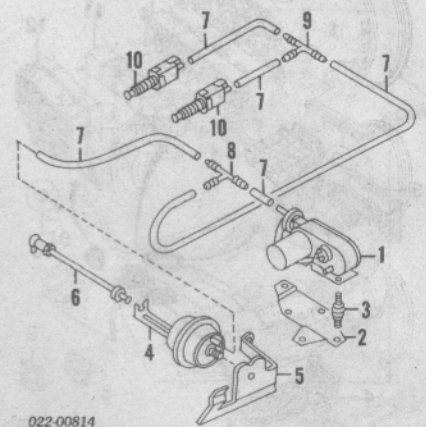


022-01149

1 Pump, ABS					
FWD					
w/Elect Display Instruments					
w/ASR					
1996-98	8E0 614 111 S	m	1.2	1451.00	
1999					
To VIN X199999	8E0 614 111 S	m	1.2	1451.00	
From VIN X200001	8E0 614 111 AJ	m	1.2	1098.00	
2000-02	8E0 614 111 AJ	m	1.2	1098.00	
w/o ASR					
1996-97	4A0 614 111 H	m	1.2	1591.00	
1998	8E0 614 111 Q	m	1.2	1451.00	
1999-02	8E0 614 111 F	m	1.2	986.00	
w/o EDS	8D0 614 111 A	m	1.2	1363.00	
AWD Quattro					
1996	8D0 614 111 C	m	1.2	1503.90	
1997	8D0 614 111 E	m	1.2	1303.00	
1998					
To VIN W007799	8D0 614 111 E	m	1.2	1303.00	
From VIN W007800	8E0 614 111 N	m	1.2	989.00	
1999-02	8E0 614 111 E	m	1.2	989.00	
Brkt, ABS Pump Lower					
1996-97	8D0 614 123 C			15.85	
2 Inner	8D0 614 121 B			15.85	
3 Outer					
4 Brkt, ABS Pump Lower	8E0 614 119			24.85	
1998-02	96-97 4D0 614 173			8.45	
5 Bushing, Brkt (3)	96-97 R/L 4D0 614 177 A			1.95	
6 Bumper, Rubber					
7 Control Unit, ABS†					
FWD	96-97 4D0 907 379 G	m	.5	782.00	
AWD Quattro	96 4D0 907 379 J	m	.5	782.00	
	97 4D0 907 379 L	m	.5	782.00	
†1998-02-Serviced w/ABS Pump					
8 Sensor, Front ABS	R/L 8D0 927 803	m	.5	162.25	
1996-98					
1999					
To VIN W199999	R/L 8D0 927 803	m	.5	162.25	
From VIN W200001	R/L 8D0 927 803 D	m	.5	162.25	
2000-02	R/L 8D0 927 803 D	m	.5	162.25	
9 Sensor, Rear ABS	R/L 8D0 927 807 C	m	.7	162.25	
FWD					
AWD Quattro	R/L 8A0 927 807 C	m	.7	225.85	
1996-97					
1998					
To VIN W280000	R/L 8A0 927 807 C	m	.7	225.85	
From VIN W280001	R/L 8D0 927 807 F	m	.7	182.80	
1999-02	R/L 8D0 927 807 F	m	.7	182.80	
10 Sleeve, Clamping (2/Side)	R/L 443 927 817			14.35	
11 Cylinder Assy, Brake Master	8D0 611 021 B	m	.9	286.05	
1996-98					
1999					
To VIN X199999	8D0 611 021 B	m	.9	286.05	
From VIN X200001	4D0 611 021 A	m	.9	357.30	
2000-02	4D0 611 021 A	m	.9	357.30	
12 Grommet, Cylinder (2)	4A0 611 817 A	m	.9	6.25	
†Included w/Brake Master Cylinder Assy					
13 Reservoir Assy	8E0 611 301	m		50.25	
1996-98					
1999					
To VIN X199999	8E0 611 301	m		50.25	
From VIN X200001	4B0 611 301 E	m		50.25	
2000-02	4B0 611 301 E	m		50.25	
14 Washer, Sealing †	893 611 347			2.10	
15 Cap, Reservoir †	6N1 611 349 B			11.55	
†Included w/Reservoir Assy					
16 Booster, Brake	8D0 612 107 B	m	#1.2	332.15	
1996-98					
1999					
To VIN X199999	8D0 612 107 B	m	#1.2	332.15	
From VIN X200001	4B3 612 107	m	#1.2	398.25	
2000-02	4B3 612 107	m	#1.2	398.25	

#Includes R&R Brake Master Cylinder

CRUISE CONTROL SYSTEM



022-00814

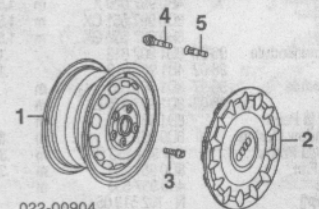
1 Actuator, Cruise Control	4B0 907 325	m	.5	153.80
2 Brkt, Actuator Mtg	4B0 907 341			3.70
w/ESP	8D0 907 341			11.80
w/o ESP	431 907 349			2.35
3 Stud, Mounting (3)				
4 Element, Throttle				
FWD				
1.8L Eng	811 907 327 B	m	.3	34.80
2.7L, 2.8L Eng	96-97 8D0 907 327	m	.3	39.45
	98-02 8A0 907 327	m	.3	39.45
AWD Quattro				
1.8L Eng	811 907 327 B	m	.3	34.80
2.7L, 2.8L Eng	96-97 8D0 907 327	m	.3	39.45
	98-02 8A0 907 327	m	.3	39.45
5 Bracket, Element				
1.8L Eng	058 907 347			8.10
2.7L, 2.8L Eng	96-97 078 907 347 F			8.35
	98-02 078 907 347 H			8.35
6 Rod, Element				
1.8L Eng	034 907 415 A	m		30.95
2.7L, 2.8L Eng	96-97 078 907 415 D	m		30.95
	98-02 078 907 415 C	m		30.95
7 Hose, Vacuum †	N.A.	m		0.00
†Cut to Fit				
8 Tee, Actuator	811 907 428	m		1.80
9 Tee, Valve	811 907 428	m		1.80
10 Valve, Ventilation				
Man Trans (2)	811 907 343 B	m	.3	39.45
Auto Trans	811 907 343 B	m	.5	39.45

WHEEL

Use Procedure Explanation 10 with the following text.

STEEL WHEEL

Refinish Wheel.....	.5
Add to R&I Spare Wheel & Tire Assy.....	.2



022-00904

1 Wheel, Steel	4B0 601 027 03C	.3	78.75
2 Cover, Wheel	96-97 8D0 601 147 B Z17		28.90
	98-02 820 601 147 A Z17		54.25
3 Bolt, Lug	8D0 601 139 D		3.00
4 Stem, Valve	281 601 361		1.10
5 Extension, Valve Stem	3B0 601 373 A		2.30

ALLOY WHEEL

Add to R&I Spare Wheel & Tire Assy.....	.2
---	----

Illustration Located in Next Column

Wheel, Alloy			
1 15x6 (Code ET45)	8D0 601 025 F Z17	.3	368.40
2 15x6 (Code ET47)	96-97 8D0 601 025 D Z17	.3	372.71
	98-01 8D0 601 025 M Z17	.3	323.03
3 15x7	8D0 601 025 B Z17	.3	382.71
4 5 Spoke	8D0 601 025 C Z17	.3	372.71
5 7 Spoke	8D0 601 025 J Z17	.3	448.32