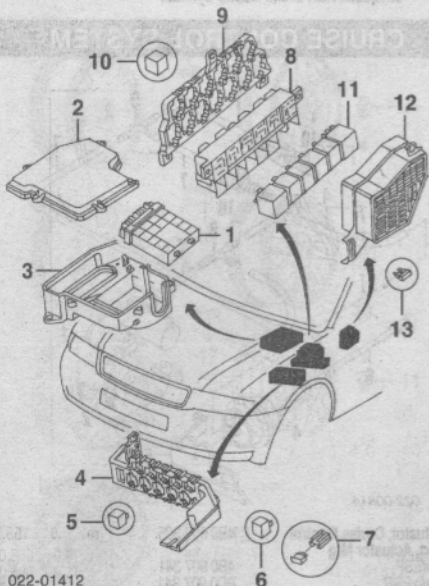


#Includes Disconnect & Connect Scan Tool & Retrieve/Clear Trouble Codes



022-01412

1996-97	1.8L Eng	8D0 997 559 BX	m	1.5	R789.00	
	2.8L Eng	8D0 906 266 B	m	1.5	1297.00	
1998	1.8L Eng	8D0 997 559 BX	m	1.5	R789.00	
	To VIN W043000	8D0 997 557 HX	m	1.5	R485.37	
	From VIN W043001	4D0 997 551 EX	m	1.5	R1000.00	
1999-00	1.8L Eng	8D0 997 557 HX	m	1.5	R485.37	
	2.8L Eng	4D0 997 551 EX	m	1.5	R1000.00	
2001	1.8L Eng	4B0 997 019 NX	m	1.5	R810.00	
	To VIN 1080000	4B0 997 020 EX	m	1.5	R705.00	
	From VIN 1080001	3B0 997 552 GX	m	1.5	R734.00	
2002	1.8L Eng	4B0 997 020 EX	m	1.5	R705.00	
	2.8L Eng	3B0 997 552 GX	m	1.5	R734.00	
AWD Quattro	1996-97	1.8L Eng	8D0 997 559 BX	m	1.5	R789.00
	2.8L Eng	4D0 907 551 A	m	1.5	829.00	
1998	1.8L Eng	8D0 997 559 BX	m	1.5	R789.00	
	To VIN W043000	8D0 997 557 HX	m	1.5	R485.37	
	From VIN W043001	4D0 997 551 EX	m	1.5	R1000.00	
1999-00	1.8L Eng	8D0 997 557 HX	m	1.5	R485.37	
	2.7L Eng	8D0 997 551 CX	m	1.5	R723.00	
	2.8L Eng	4D0 997 551 EX	m	1.5	R1000.00	
2001-02	1.8L Eng	4B0 997 020 X	m	1.5	R615.67	
	2.7L Eng	8D0 997 551 CX	m	1.5	R723.00	
	2.8L Eng	3B0 997 552 GX	m	1.5	R734.00	
2 Cover, Control Module	96-97	8D1 907 613	m	.1	20.85	
	98-02	4B1 907 613	m	.1	20.85	
3 Housing, Module	96-97	8D1 907 355	m		44.65	
	98-02	8D1 907 355 B	m		43.35	
4 Plate, Relay (8 Point)	8D1 937 545	m			14.70	
5 Control, Window Module	8D0 959 257	m	.3		142.20	
6 Relay, Lambda Probe	141 951 253 B	m	.3		4.00	
7 Relay, Elect Fan	8D0 951 253	m	.3		35.80	
8 Holder, Fuse	4A0 937 530	m			2.30	
9 Fuse, 80 Amp	N 102 519 05	m			7.50	
*Order by Application						
8 Box, Fuse/Relay	4A0 941 822	m			184.85	
9 Bracket, Fuse Box	8D0 937 503 E	m			9.95	
10 Module, Electronic Clutch	443 919 578 C	m			82.40	
Module, Lamp/Brake Warning	4B0 919 471 A	m			84.20	
Relay, Selector Lever	191 927 841	m	.3		25.10	
Relay, Fog Lamp	141 951 253 B	m	.3		4.00	
Relay, Driving Lamp	8D0 951 253 A	m	.3		34.70	
11 Relay, Fuel Pump	8D0 951 253 A	m	.3		34.70	
*Order by Application						
12 Holder, Fuse	N 102 519 05	m			59.75	
13 Fuse	N 102 615 01	m			.27	
*Order by Application						

AIR BAG SYSTEM

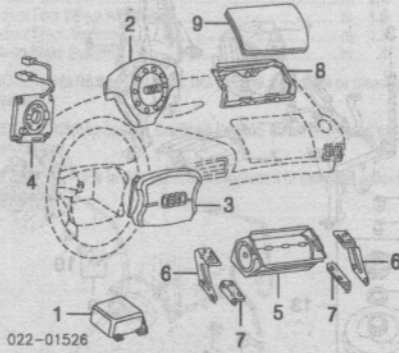
NOTE 1: R&R Does Not include disable and enable or diagnose Air Bag System.

NOTE 2: Refer to Procedural Explanation 30 for Supplemental Restraint/Air Bag System Component Inspection and Replacement Information.

NOTE 3: For Air Bag System Service procedures, refer to Manufacturer's Service Repair Manual or Mitchell's Air Bag Service and Repair Manual.

FRONT

Disable & Enable Air Bag System.....m .3
 Diagnose Air Bag System (If Required).....m #5
 #Includes Disconnect & Connect Scan Tool & Retrieve/Clear Trouble Codes

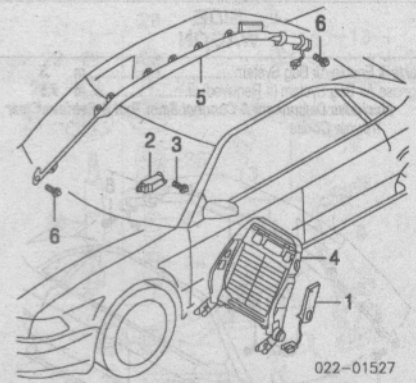


022-01526

1 Control Unit, Air Bag	1996-97	8A0 959 655 D	m	2.3	594.00		
	1998	8D0 959 655 M	m	2.3	427.81		
	w/Side Air Bags	8A0 959 655 D	m	2.3	594.00		
	w/o Side Air Bags	8D0 959 655 M	m	2.3	427.81		
	To VIN X199999	8D0 959 655 M	m	2.3	427.81		
	From VIN X200001	8D0 959 655 G	m	2.3	427.81		
	w/Side Curtain Air Bag	8D0 959 655 K	m	2.3	427.81		
	w/o Side Curtain Air Bag	8D0 959 655 G	m	2.3	427.81		
	2000-02	8D0 959 655 K	m	2.3	427.81		
Module, Driver Air Bag	2 w/Sport Strg Wheel	1996-97	4A0 880 201 L 01C	m	.3	782.00	
	1998	To VIN W007799	4A0 880 201 L 01C	m	.3	782.00	
	From VIN W007800	w/Tiptronic	4B0 880 201 G 01C	m	.3	946.00	
	w/o Tiptronic	8D0 880 201 H 01C	m	.3	759.00		
	1999-02	w/Multi-Function Strg Wheel	4B0 880 201 G 4PH	m	.3	946.00	
	Basalt	4B0 880 201 G 01C	m	.3	946.00		
	Black	4B0 880 201 G 8WE	m	.3	946.00		
	Cabernet	4B0 880 201 G 42R	m	.3	946.00		
	Gray	4B0 880 201 G 3ZQ	m	.3	946.00		
	Maritime Blue	4B0 880 201 G 1SJ	m	.3	946.00		
	Minerva	w/o Multi-Function Strg Wheel	8D0 880 201 H 4PH	m	.3	886.00	
	Basalt	8D0 880 201 H 01C	m	.3	759.00		
	Black	8D0 880 201 H 8WE	m	.3	886.00		
	Cabernet	8D0 880 201 H 42R	m	.3	d842.00		
	Gray	8D0 880 201 H 3ZQ	m	.3	886.00		
	Maritime Blue	8D0 880 201 H 1SJ	m	.3	d842.00		
	Minerva	3 w/o Sport Strg Wheel	1996-97	4A0 880 201 N 01C	m	.3	782.00
	1998-99	w/Multi-Function Strg Wheel	4B0 880 201 M 01C	m	.3	946.00	
	w/o Multi-Function Strg Wheel	4B0 880 201 Q 01C	m	.3	673.00		
	2000-02	w/Leather	4B0 880 201 AD 4PH	m	.3	673.00	
	Basalt	4B0 880 201 AD 01C	m	.3	673.00		
	Black	4B0 880 201 AD 8WE	m	.3	673.00		
	Cabernet	4B0 880 201 AD 3ZQ	m	.3	673.00		
	Maritime Blue	w/o Leather	4B0 880 201 AL 4PH	m	.3	673.00	
	Basalt	4B0 880 201 AL 01C	m	.3	673.00		
	Black	4B0 880 201 AL 8WE	m	.3	673.00		
	Cabernet	4B0 880 201 AL 3ZQ	m	.3	673.00		
	Maritime Blue	4 Spring, Spiral	1996-97	4D0 951 543 D	m	.9	205.10
	1998-02	FWD	1J0 959 653 C	m	.9	49.10	
	AWD Quattro	w/Tiptronic	1J0 959 654 M	m	.9	243.35	
	w/o Tiptronic	1J0 959 653 C	m	.9	49.10		
5 Module, Pass Air Bag	1996-97	8D0 880 201 E	m	1.3	946.00		
	1998	To VIN W035547	8D0 880 201 J	m	1.3	886.00	
	From VIN W035548	8D0 880 201 J	m	1.3	886.00		
	1999-02	R 8D0 880 304 C	m		6.75		
	L 8D0 880 303 C	m			6.75		
6 Plate, Module Support	R/L 8D0 880 313	m			1.40		
	8D1 880 215	m			55.25		
7 Brkt, Support							
8 Frame, Cover Retaining							
9 Cover, Air Bag	1996-97	8D1 880 217 A 8RZ	m		120.25		
	1998-99	8D1 880 217 A E77	m		120.25		
	Anthracite Gray						
	Lava Gray						
	*2000-02-Not Serviced						

SIDE SEDAN

Disable & Enable Air Bag System.....m .3
 Diagnose Air Bag System (If Required).....m #5



022-01527

1 Module, Side Air Bag	1998	R 8L0 880 242 B	m	1.5	312.05	
	L 8L0 880 241 B	m	1.5	310.80		
	1999	To VIN X199999	R 8L0 880 242 B	m	1.5	312.05
	From VIN X200001	L 8D0 880 241 B	m	1.5	310.80	
	2000-02	R 8D0 880 242 AA	m	1.5	320.15	
	L 8D0 880 241 AA	m	1.5	320.15		
	L 8D0 880 242 AA	m	1.5	320.15		
	L 8D0 880 241 AA	m	1.5	320.15		
2 Sensor, Side Air Bag Control	1998	R/L 8D0 959 643 A	m	.7	293.05	
	1999	To VIN X199999	R/L 8D0 959 643 A	m	.7	293.05
	From VIN X200001	R/L 8D0 959 643 B	m	.7	140.15	
	2000-02	R/L 8D0 959 643 B	m	.7	140.15	
3 Bolt, Sensor (2/Side)	R/L N 014 774 1	m			1.10	
4 Pad, Backrest-See Seat Section						
5 Module, Side Curtain Air Bag	R 8D5 880 742 B	m	#1.8	416.21		
	L 8D5 880 741 B	m	#1.8	416.21		
	#w/Headliner Removed					
6 Bolt, Socket	N 104 882 01	m			.33	
	*As Required					
7 Midg, Inside Garnish	w/Side Curtain Air Bag	Dark Pearl	R 8D0 867 234 E 2RP	.2	111.70	
		L 8D0 867 233 E 2RP	.2	111.70		
		Ecru Beige	R 8D0 867 234 E 3SA	.2	111.70	
		L 8D0 867 233 E 3SA	.2	111.70		
		Elephant	R 8D0 867 234 E 1RE	.2	111.70	
		L 8D0 867 233 E 1RE	.2	111.70		
	*w/o Side Curtain Air Bag-See Windshield Section					
8 Panel, Ctr Pillar Upper Trim	w/Side Curtain Air Bag	Dark Gray	R 8D0 867 240 L 1EU	.3	32.80	
		L 8D0 867 239 L 1EU	.3	32.80		
		Ecru Beige	R 8D0 867 240 L BC1	.3	32.80	
		L 8D0 867 239 L BC1	.3	32.80		
		Light Gray	R 8D0 867 240 L 2EX	.3	32.80	
		L 8D0 867 239 L 2EX	.3	32.80		
	*w/o Side Curtain Air Bag-See Rocker/Pillars/Floor Panel, Upper Trim					
9 Quarter Pillar	w/Side Curtain Air Bag	Beige	R 8D5 867 288 B BC1	.3	69.40	
		L 8D5 867 287 B BC1	.3	69.40		
		Dark Gray	R 8D5 867 288 B 1EU	.3	69.40	
		L 8D5 867 287 B 1EU	.3	69.40		
		Light Gray	R 8D5 867 288 B 2EX	.3	69.40	
		L 8D5 867 287 B 2EX	.3	69.40		
		Onyx	R 8D5 867 288 B 6DP	.3	69.40	
		L 8D5 867 287 B 6DP	.3	69.40		
10 Back Pillar	w/Side Curtain Air Bag	Beige	R 8D5 867 246 3SA	.3	128.35	
		L 8D5 867 245 3SA	.3	128.35		
		Dark Gray	R 8D5 867 246 1RE	.3	128.35	
		L 8D5 867 245 1RE	.3	128.35		
		Light Gray	R 8D5 867 246 2RP	.3	128.35	
		L 8D5 867 245 2RP	.3	128.35		
		Onyx	R 8D5 867 246 4SL	.3	128.35	
		L 8D5 867 245 4SL	.3	128.35		
	*w/o Side Curtain Air Bag-See Quarter Panel Section					
11 Panel, Lower Trim-See Quarter Panel Section						