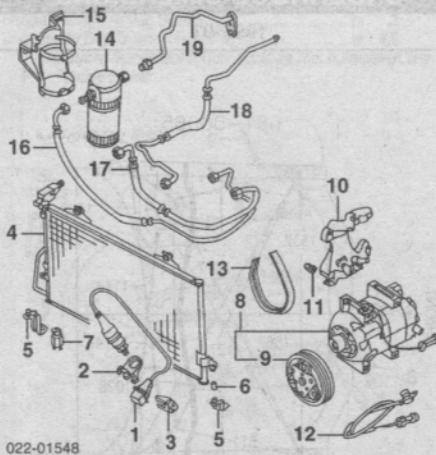
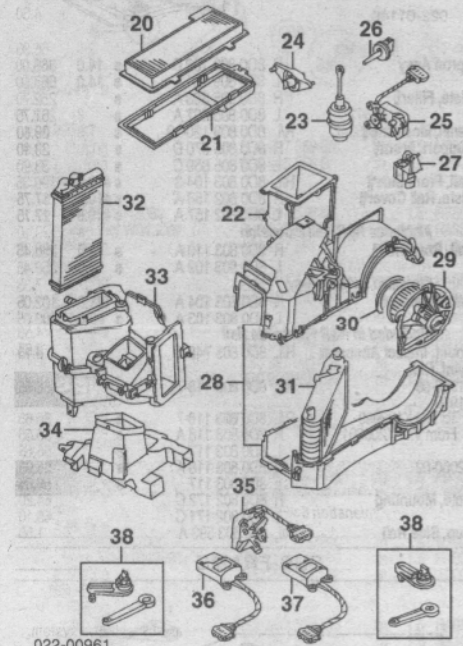


7 Switch, Fan	8D0 959 482	m	.5	125.20
8 Compressor Assy	8D0 260 805 E	m	#1.9	963.00
9 Clutch	4A0 260 811 B	m	#2.2	365.45
<i>Included w/Compressor Assy</i>				
<i>#w/Front Bumper Removed</i>				
10 Brkt, Compressor Mounting				
FWD				
To VIN T100000	078 260 835 D	#3		36.60
From VIN T100001	078 260 835 F	#3		36.85
AWD Quattro				
To VIN T127654	078 260 835 D	#3		36.60
From VIN T127655	078 260 835 F	#3		36.85
<i>#w/Compressor Assy Removed</i>				
11 Nut, Speed	078 260 830 A			5.30
12 Sensor, Speed	4A0 298 013 AB	m	.6	223.10
13 Belt, Drive-See Cooling Section				
14 Receiver/Drier	4B0 820 192	m	.6	140.15
15 Brkt, Receiver/Drier	8D0 260 197			25.40
16 Hose, Compressor/Drier				
FWD				
To VIN T100000	8D0 260 707 T	m	.6	209.55
From VIN T100001	8D0 260 707 T	m	.6	209.55
AWD Quattro				
To VIN T127954	8D0 260 707 T	m	.6	209.55
From VIN T127955	8D0 260 707 T	m	.6	209.55
17 Hose, Compressor/Cond	4B0 260 701 C	m	.6	144.30
18 Hose, Cond/Evaporator	8D1 260 709 N	m	.6	48.25
19 Pipe, Drier/Evaporator	8D1 260 740 A	m	.7	172.70



022-01548



022-00961

20 Element, Pollen Filter	8A0 819 439 A	m	.5	29.90
21 Housing, Filter	3B0 819 211	m		5.40
22 Duct, Intake				
FWD	8D1 820 153	m		338.60
AWD Quattro	8A1 820 153 A	m		404.95
23 Vacuum Unit	191 820 677 B	m		44.20
24 Lever, Vacuum Unit	8A1 898 001	m		26.55
25 Motor, Intake Duct Adjust	8A1 820 511 C	m		154.60
26 Sensor, Temp	4A0 820 539	m		36.95
27 Solenoid, Idle Boost	437 906 283 A	m		63.15
28 Housing, Evaporator	8D1 820 024	m	#8.3	332.94
<i>#Includes R&I Instrument Panel, R&R Evaporator Core & Heater Core</i>				
29 Fan, Blower	8A1 820 021	m	1.3	201.05
30 Gskt, Fan	191 820 048	m		36.20
31 Evaporator	8D1 820 103 F	m	#8.3	468.30
32 Core, Heater	8D1 819 030 B	m	#7.8	172.65
<i>#Includes R&I Instrument Panel</i>				
33 Housing, Heater	8D1 820 353 A	m		366.85
34 Vent, Floor	8D1 819 151 A	m		20.50
35 Motor, Defroster Adjust	8A1 820 511 B	m		135.05
36 Motor, Temp Adjust	8D1 820 511 A	m		148.65
37 Motor, Control Flap Adjust	8A1 820 511	m		135.05
38 Lever Set, Heater Housing	8A1 898 002 A	m		17.65

1997-02

Evacuate & Recharge System	m	1.4
Recover Refrigerant	m	3

NOTE: R&R Does Not include recover, evacuate and recharge system.

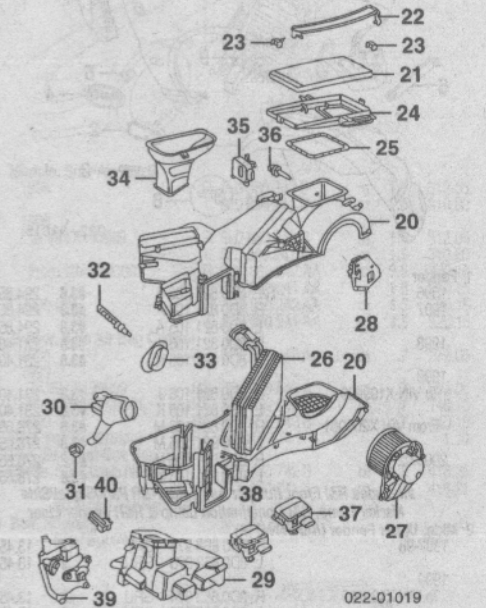
Illustration Located in Next Column

1 Sensor, Outside Temp-See Front Bumper Section				
2 Brkt, Sensor-See Front Bumper Section				
3 Clamp, Sensor-See Front Bumper Section				

4 Condenser				
1.8L Eng	97 8D0 260 403 C	m	#1.7	459.24
2.7L Eng	98-02 8D0 260 403 H	m	#1.7	459.24
2.8L Eng	8D0 260 403 G	m	#1.7	459.24
	97 8D0 260 403 C	m	#1.7	459.24
	98-02 8D0 260 403 H	m	1.7	459.24
<i>#w/Front Bumper Removed</i>				
5 Brkt, Condenser Mtg	R/L 4D0 260 427			3.40
6 Bumper, Rubber				
Upper	R/L 8D0 260 425			1.90
Lower	R/L 4D0 260 426			2.35
7 Switch, Safety	8D0 959 482 B	m	.5	163.80
8 Compressor Assy				
1.8L Eng				
1997				
To VIN V006771	8D0 260 805 F	m	#1.9	963.00
From VIN V006772	8D0 260 805 D	m	#1.9	789.00
1998-02	8D0 260 805 D	m	#1.9	789.00
2.7L Eng	4B0 260 805 B	m	#1.9	954.00
2.8L Eng	4B0 260 805 B	m	#1.9	954.00
9 Clutch				
1.8L Eng				
1997				
To VIN V006771	8A0 260 811	m	#2.2	387.75
From VIN V006772	8D0 260 811 A	m	#2.2	419.34
1998-02	8D0 260 811 A	m	#2.2	419.34
2.7L Eng	4B0 260 811	m	#2.2	636.00
2.8L Eng	4B0 260 811	m	#2.2	636.00
<i>#Included w/Compressor Assy</i>				
<i>#w/Front Bumper Removed</i>				
10 Brkt, Compressor Mtg				
1.8L Eng	068 260 885 C	#3		42.85
2.7L Eng	078 260 835 F	#3		36.85
2.8L Eng	078 260 835 F	#3		36.85
<i>#w/Compressor Assy Removed</i>				
11 Nut, Speed				
FWD	4A0 260 764			2.15
AWD Quattro	078 260 830 A			5.30
12 Sensor, Speed	4A0 298 013 AB	m	.6	223.10
13 Belt, Drive-See Cooling Section				
14 Receiver/Drier				
1997-98	4B0 820 192	m	.6	140.15
1999				
To VIN X199999	4B0 820 192	m	.6	140.15
From VIN X200001	8D0 820 193 A	m	.6	140.15
2000-02	8D0 820 193 A	m	.6	140.15
<i>#Order by Application</i>				
15 Brkt, Receiver/Drier				
1997-98	8D0 260 197			25.40
1999				
To VIN X199999	8D0 260 197			25.40
From VIN X200001	8D0 260 197 C			15.75
2000-02	8D0 260 197 C			15.75

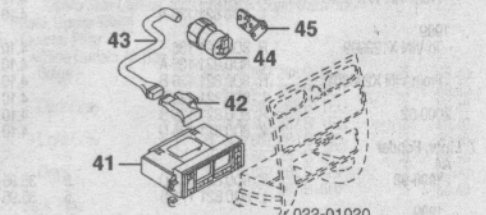
16 Hose, Compressor/Drier				
1.8L Eng				
1997				
To VIN V006771	8D0 260 707 B	m	.6	209.55
From VIN V006772	8D0 260 707 H	m	.6	209.55
1998	8D0 260 707 H	m	.6	209.55
1999				
To VIN X199999	8D0 260 707 H	m	.6	209.55
From VIN X200001	8D0 260 707 S	m	.6	209.55
2000	8D0 260 707 S	m	.6	209.55
2001-02	8D0 260 707 R	m	.6	209.55
2.7L Eng	8D0 260 707 AB	m	.6	202.78
2.8L Eng	8D0 260 707 T	m	.6	209.55
17 Hose, Compressor/Cond				
1.8L Eng				
1997				
To VIN V006771	8D0 260 701 B	m	.6	201.50
From VIN V006772	4B0 260 701 H	m	.6	144.30
1998-00	4B0 260 701 H	m	.6	144.30
2001-02	8D0 260 701 D	m	.6	0.00
2.7L Eng	8D0 260 701 R	m	.6	202.78
2.8L Eng				
1997-98	4B0 260 701 C	m	.6	144.30
1999				
To VIN X199999	4B0 260 701 C	m	.6	144.30
From VIN X200001	4B0 260 701 H	m	.6	144.30
2000-02	4B0 260 701 H	m	.6	144.30
18 Hose, Cond/Evaporator				
1.8L Eng				

Front	8D1 260 710 F	m	.6	160.55
Rear	8D1 260 709 N	m	.6	48.25
2.7L Eng				
Front	8D1 260 710 C	m	.6	154.70
Rear	NA	m	.6	0.00
2.8L Eng				
Front	8D1 260 710 F	m	.6	160.55
Rear	8D1 260 709 N	m	.6	48.25
19 Pipe, Drier/Evaporator				
1.8L Eng, 2.8L Eng				
1997	8D1 260 740 A	m	.7	172.70
1998				
To VIN W007799	8D1 260 740 A	m	.7	172.70
From VIN W007800	8D1 260 740 M	m	.7	242.95
1999-02	8D1 260 740 M	m	.7	242.95
2.7L Eng	8D1 260 740 K	m	.7	242.95



022-01019

20 Housing, Heat/ A/C	8D1 820 024 B	m	#8.3	680.00
<i>#Includes R&I Instrument Panel, R&R Evaporator Core & Heater Core</i>				
21 Filter, Air	8A0 819 439 A	m	.5	29.90
22 Channel, Rain-See Cowl & Dash Section				
Lug, Filter (2)	3B0 819 817			45
23 Frame, Filter	3B0 819 211	m		5.40
24 Gasket, Intake	8D0 819 165 B	m		7.90
26 Core, Evaporator	8D1 820 103 D	m	#8.3	369.31
Core, Heater	8D1 819 030 B	m	#7.8	172.65
<i>#Includes R&I Instrument Panel</i>				
27 Fan, Blower				
Man A/C	8D1 820 021 A	m	1.3	189.50
Auto A/C	8D1 820 021	m	1.3	380.42
28 Control, Blower	8D1 907 521	m		220.20
29 Vent, Footwell	8D1 819 151 A	m		20.50
30 Pipe, Water Drain	8D1 260 113 B	m		8.65
31 Valve, Drain	1H0 820 119 A	m		1.85
32 Restrictor	4B0 820 177	m		22.50
33 Grommet	8D0 820 119 A	m		11.30
34 Duct	3B1 819 081 C	m		6.50
35 Motor, Recirculation	8D1 820 511 E	m		135.05
36 Sensor, Temp	4A0 820 539	m		36.95
37 Motor, Temp	8D1 820 511 B	m		135.05
38 Motor, Footwell	8D1 820 511 B	m		135.05
39 Motor, Defrost	8D1 820 511 B	m		135.05
40 Sensor, Temp	1H0 907 543 A	m		22.70



022-01020

41 Control, A/C/Heater-See Center Console Section				
42 Sensor, Temp	4D0 820 541	m		83.15
43 Hose	8D0 820 547	m		6.65
44 Fan	4A0 820 545	m		248.35
45 Brkt, Fan	8D0 820 529	m		11.30

FRONT FENDER

Use Procedure Explanations 7 and 28 with the following text.

Refinish Fender Outside	R/L	2.0
Add to Edge Fender	R/L	.5