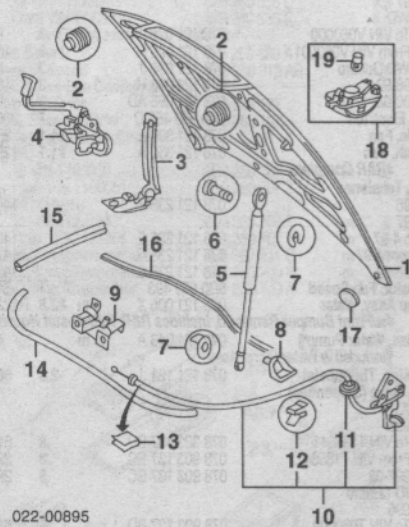


HOOD

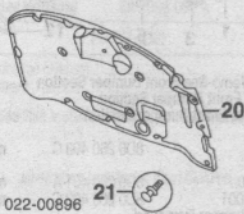
Use Procedure Explanations 4 and 28 with the following text.

Refinish Hood Outside.....	2.6
Add for Underside.....	1.3
Refinish Hinge.....	R/L .3
R&L Hood Assy.....	.6



022-00895

1 Panel, Hood			
1996-98	8D0 823 029 B	#1.5	475.24
1999			
To VIN X199999	8D0 823 029 B	#1.5	475.24
From VIN X200001	8D0 823 029 C	#1.5	462.76
2000-02	8D0 823 029 C	#1.5	462.76
#Includes R&L/R&R Grille			
2 Bumper, Hood (2/Side)	R/L 8D0 823 481		
3 Hinge, Hood	R/L 3B0 823 302-1	#.3	22.75
#w/Hood Removed			
4 Catch, Safety	8D0 823 480 B	.2	25.40
1996-98			
1999-02			
Black	8D0 823 480 D	.2	22.90
Gray	8D0 823 480 C	.2	22.90
5 Strut, Support	8D0 823 359 B	.3	43.95
6 Pin, Upper Strut	443 823 471 B		2.40
7 Clamp, Lock			
1996			
To VIN T040000	N 012 327 6		.22
From VIN T040001	N 900 649 01		1.20
1997-02	N 900 649 01		1.20
8 Mount, Support Strut	8D0 823 402		4.55
9 Latch, Lower			
4 Cyl			
w/ A/C	8D0 823 509 L	.2	28.40
w/o A/C	8D0 823 509 J	.2	28.40
6 Cyl	8D0 823 509 J	.2	28.40
10 Cable Assy, Release	8D1 823 531 C	1.2	21.10
11 Grommet, Cable	8D0 823 591 A		1.20
12 Clamp, Cable	8A0 823 567		.92
#Included w/Release Cable Assy			
13 Clamp, Front Cable	N 905 879 01		3.40
14 Seal, Front Hood	8D0 823 731 C	.2	23.10
15 Seal, Side Hood			
80mm	R/L 8D0 823 731 B	.2	2.05
395mm	R/L 8D0 823 725 A	.2	9.55
16 Seal, Rear Hood	8D0 823 723 A	.2	26.00
1996-98			
1999			
To VIN X199999	8D0 823 723 A	.2	26.00
From VIN X200001	8D0 823 723 D	.2	26.00
2000-02	8D0 823 723 D	.2	26.00
17 Plug, Hood			
15mm	R/L 8D0 804 996		1.20
29mm	R/L 811 803 583 C		1.40
18 Lamp Assy, Underhood	4A0 947 319	.2	26.50
19 Bulb	N 017 723 2		1.70
#Included w/Underhood Lamp Assy			



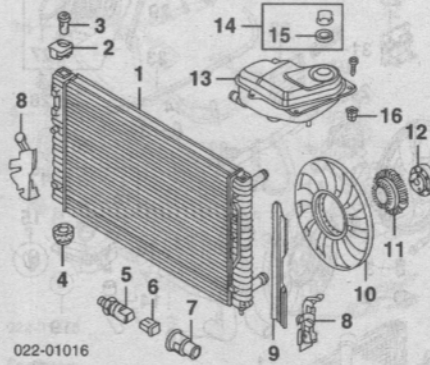
022-00896

20 Insulator, Hood	8D0 863 825 S	.4	74.25
21 Retainer, Insulator (17)	893 863 907 C 01C		.92

COOLING

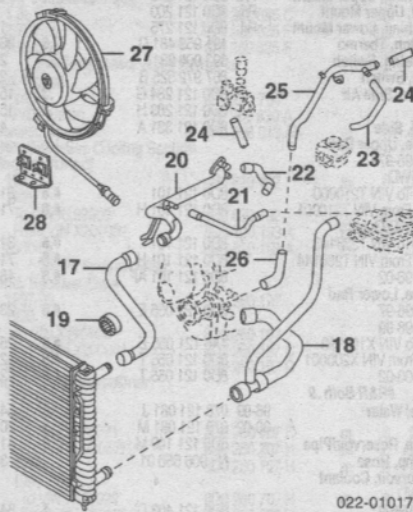
Use Procedure Explanations 5 and 28 with the following text.

1.8L ENG



022-01016

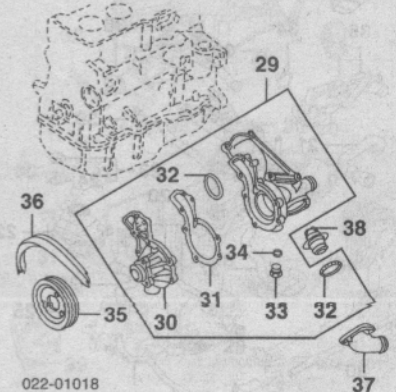
1 Radiator			
Man Trans	8D0 121 251 P	#1.6	328.00
Auto Trans	8D0 121 251 BC	#1.8	343.82
#w/Front Bumper Removed			
2 Bushing, Upper Mount	R/L 8D0 121 276		1.40
3 Bolt, Upper Mount	R/L 8D0 121 200		.58
4 Bushing, Lower Mount	R/L 8D0 121 275		1.40
5 Switch, Thermo (3 Pin)	191 959 481 C	m .5	33.25
6 Housing, Switch	893 906 231		2.10
7 Cap, Switch	867 972 525 B		2.55
8 Baffle, Side Air	R 8D0 121 284 G	.3	15.50
	L 8D0 121 283 H	.3	15.50
	L 8D0 121 331 A		4.50
9 Seal, Side	058 121 301 B	#1.1	36.80
10 Blade, Fan	058 121 350	#1.1	169.45
11 Coupling, Fan			
#R&R Complete, w/Front Bumper Removed			
12 Pulley, Fan	058 119 145		16.75
13 Reservoir, Coolant			
1997	8D0 121 403 D	.3	34.70
1998			
To VIN W007799	8D0 121 403 D	.3	34.70
From VIN W007800	8D0 121 403 L	.3	31.65
1999-02	8D0 121 403 L	.3	31.65
14 Cap Assy, Reservoir	1J0 121 321 B		5.20
15 Seal, Cap	1H0 121 687 A		2.45
#Included w/Reservoir Cap Assy			
16 Nut, Screw Speed (3)	811 807 577 C		.73



022-01017

17 Hose, Upper Rad	8D0 121 101 K	#.6	28.50
18 Hose, Lower Rad	8D0 121 055 G	#.6	55.25
#R&R Both .9			
19 Ring, Hose Protector	8D0 121 451		6.05
20 Pipe, Coolant Feed			
Man Trans			
1997	058 121 071 A	.5	43.25
1998			
To VIN W007799	058 121 071 A	.5	43.25
From VIN W007800	058 121 071 H	.5	70.90
1999			
To VIN X199999	058 121 071 H	.5	70.90
From VIN X200001	06B 121 071 L	.5	50.45
2000-02	06B 121 071 L	.5	50.45
Auto Trans			
1997	058 121 071 E	.5	43.25
1998			
To VIN W007799	058 121 071 E	.5	43.25
From VIN W007800	058 121 071 H	.5	70.90

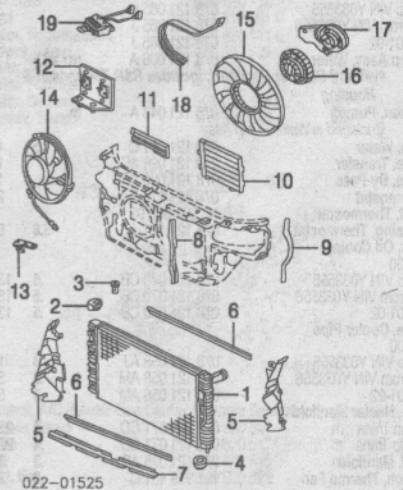
1999			
To VIN X199999	058 121 071 H	.5	70.90
From VIN X200001	06B 121 071 L	.5	50.45
2000-02	06B 121 071 L	.5	50.45
21 Hose, Breather	8D0 121 107 C	.3	6.75
22 Hose, Oil Cooler Feed			
1997-98	058 121 058 C	.5	25.35
1999			
To VIN X199999	058 121 058 C	.5	25.35
From VIN X200001	058 121 058 R	.5	5.45
2000-02	058 121 058 R	.5	5.45
23 Hose, Oil Cooler Return	058 121 058 B	.4	18.05
24 Hose, Heater			
Feed Hose	8D0 819 371 H	.4	36.70
Return Hose	8D0 819 373 N	.4	19.75
25 Pipe, Coolant Return			
1997	058 121 065 A	.5	16.75
1998			
To VIN W120000	058 121 065 B	.5	28.45
From VIN W120001	058 121 065 F	.5	28.45
1999-02	058 121 065 F	.5	28.45
26 Hose, Pump Return			
1997	048 121 063	.5	11.15
1998			
To VIN W120000	048 121 063	.5	11.15
From VIN W120001	058 121 063	.5	6.30
1999-02	058 121 063	.5	6.30
27 Fan, Electric	8D0 959 455 C	#1.3	366.85
#Included in R&R Radiator			
28 Resistor, Fan Speed	8D0 959 493		64.00



022-01018

29 Pump Assy, Water			
New	050 121 010 C	m 3.5	191.85
Remanufactured	050 121 010 CX	m 3.5	R122.05
30 Housing, Pump Impeller	026 121 005 L	m #3.7	130.15
#Includes R&R Thermostat			
31 Gasket, Housing	026 121 041 P	m	8.05
32 Seal, Ring (2)	038 121 119 B	m	2.05
33 Plug, Housing	N 906 606 01	m	2.05
34 Washer, Seal	N 013 849 4		.38
#Included w/Water Pump Assy			
35 Pulley, Pump	058 121 024 A		21.10
36 Belt, Drive	06B 903 137	.8	24.45
37 Housing, Thermostat	030 121 121 B		6.75
38 Thermostat	050 121 113 C	3.1	44.40

2.7L ENG



022-01525

1 Radiator			
Man Trans	8D0 121 251 AP	2.8	326.65
Auto Trans	8D0 121 251 BD	2.8	429.65
2 Mount, Upper Rad	R/L 8D0 121 276 B		5.20
3 Bolt, Upper Mount	R/L 8D0 121 200		.58
4 Mount, Lower Rad	R/L 8D0 121 275		1.40