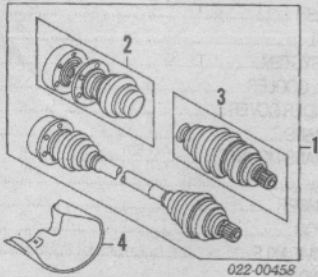


23 Crossmember w/Rear Stabilizer w/o Rear Stabilizer	L 4A0 511 329 A 4A0 505 099 E 441 505 099 A	m	232.35		
24 Mount, Crossmember	443 599 125	m	#2.2	1532.00	
25 Housing, Drive Axle	017 525 053 F	m	#2.2	1532.00	
<i>Order by Application</i>					
26 Mount, Differential Front					
5 Cyl	441 505 120 A	m	#	263.40	
6 Cyl	443 505 120 A	m	#	261.30	
27 Mount, Differential Rear	441 505 127	m	#	d169.55	
<i>#Not Included in O/H</i>					

REAR DRIVE AXLE

R&I Axle Shaft Assy..... R/Lm #1.8
#w/Knuckle Removed Deduct 1.5

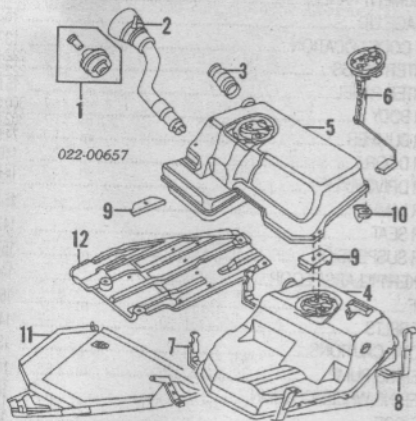


1 Shaft Assy, Axle	R/L 4A0 501 203 B	m	#1.8	580.00
2 Joint, CV Inner	R/L 431 498 103 C	m	#2.5	185.35
3 Shaft w/Joint, Outer	R/L 443 498 099 CX	m	#2.5	R260.45
<i>#Included w/Axle Shaft Assy</i>				
<i>#w/Knuckle Removed Deduct 1.5</i>				
4 Shield	443 501 719 A			46.65

FUEL TANK

R&I Fuel Tank..... 3.0

NOTE: R&R Does Not include drain and refill.



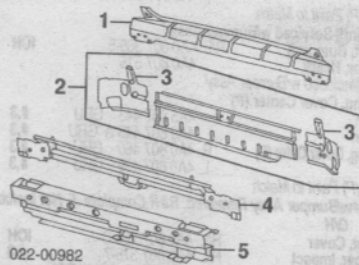
1 Cap, Filler	1J0 201 553 A			10.85
<i>Order by Application</i>				
2 Pipe, Filler (a)				
1992-95	4A0 201 129			130.00
1996-97	4A0 201 129 G			125.05
1998				
A6				
Wagon	4A0 201 129 G			125.05
<i>(a) Requires Unleaded Fuel Insert</i>				
Insert, Unleaded Fuel	443 201 115 A			d9.60
Hose, Filler	4A0 201 143			53.60
3 Tank, Fuel				
4 FWD				
w/Aux Heater	443 201 075 AL	m	3.2	664.00
w/o Aux Heater	4A0 201 075 K	m	3.2	634.00
5 AWD	4A0 201 075 L	m	3.2	885.00
6 Gauge, Tank Unit				
FWD	443 919 049 T	m	#2.2	207.85
AWD	4A0 919 045 H	m	#2.2	91.00
Pump, Fuel	8A0 906 091 G	m	#2.4	155.95
<i>#Included in R&R Fuel Tank</i>				
7 Strap, Front Mounting				
FWD	443 201 651 D			73.75
8 Strap, Rear Mounting	443 201 652 E			73.75
9 Bracket, Front Mounting				
AWD				
Right	443 201 247 A			6.55
Left				
5 Cyl	441 803 781			d49.40
6 Cyl	443 803 781 B			53.60
10 Bracket, Rear Mounting				
AWD	R/L 443 201 248 A			6.55
Plate, Protection				
11 FWD	443 201 307			64.45

12 AWD	4A0 018 957			104.65
--------	-------------	--	--	--------

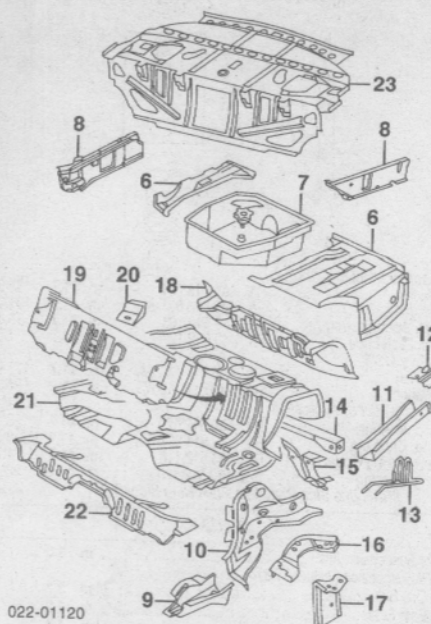
REAR BODY

Use Procedure Explanations 26 and 28 with the following text.

Refinish Lower Panel				
Sedan				1.5
Wagon				1.2
Add to Edge Panel				.5



1 Panel, Lower Outer				
Sedan	4A5 813 301		#6.5	157.50
<i>#Deduct 1.5 for Each Quarter Panel Removed, Deduction Includes Common Surfaces & Included Operations</i>				
2 Panel Assy, Inner				
Sedan	4A5 813 295 A		#4.5	186.60
<i>#w/Outer Panel Removed, Deduct 1.0 for Each Quarter Panel Removed</i>				
3 Reinf, Lamp				
R	4A5 809 614 A		1.5	65.40
L	4A5 809 613 A		1.5	65.40
<i>#Included w/Sedan Inner Panel Assy</i>				
4 Panel, Lower Outer				
Wagon	4A9 813 301		#6.5	157.50
<i>#Deduct 1.5 for Each Quarter Panel Removed, Deduction Includes Common Surfaces & Included Operations</i>				
5 Panel, Lower Inner				
Wagon	4A9 813 295		#8.5	186.60
<i>#Includes Lower Outer Panel</i>				

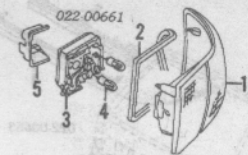


6 Pan, Rear Floor				
100 Series, A6	R/L 4A0 803 096-5		5.0	155.90
S4, S6	R 4A0 803 096		5.0	155.90
	L 4A0 803 095 A		5.0	155.90
7 Well, Spare Wheel				
1992-94				
100 Series	4A9 803 265 C		#3.5	389.60
S4	4A9 803 265 D		#3.5	389.60
1995	4A9 803 265 E		#3.5	389.60
1996-97				
A6	4A9 803 265 E		#3.5	389.60
S6	4A9 803 265 D		#3.5	389.60
1998				
A6				
Wagon	4A9 803 265 E		#3.5	389.60
<i>#Add for Urethane Material</i>				
8 Bracket, 3rd Seat Support				
Wagon	R 4A9 803 848			157.30
	L 4A9 803 847			193.50
9 Sidemember, Front				
FWD	R/L 4A0 803 406-5	s	3.5	117.95
AWD	R 4A0 803 406 A	s	3.5	117.95
	L 4A0 803 405 A	s	3.5	117.95

10 Sidemember, Wheelhouse				
FWD	R 4A0 803 352 B	s	3.5	182.25
	L 4A0 803 351 A	s	3.5	182.25
AWD	R 4A0 803 408 A	s	3.5	179.85
	L 4A0 803 407 A	s	3.5	174.65
11 Sidemember, Rear				
FWD	R 4A1 803 652 A	s	3.5	170.00
	L 4A1 803 651 A	s	3.5	131.25
AWD	R 4A0 803 652 B	s	3.5	170.00
	L 4A0 803 651 B	s	3.5	131.25
12 Mount, Absorber				
FWD	R/L 4A1 803 691 A			45.60
AWD	R/L 4A0 803 691 D			45.60
13 Hook, Tow	4A0 804 387		1.0	54.00
14 Rod, Panhard				
FWD	443 803 540 B	m	.6	76.60
15 Bracket, Rod				
1992-94	R 443 803 551 B			77.70
	L 443 803 353 A			42.20
1995-97	R 4A0 803 551			75.45
	L 443 803 353 A			42.20
1998				
A6				
Wagon	R 4A0 803 551			75.45
	L 443 803 353 A			42.20
16 Mount, Crossmember				
AWD	R 4A0 804 222 A			157.60
	L 4A0 804 221 A			152.90
	4A0 803 887			19.30
17 Brkt, Brake Regulator				
Reinf, Cross				
Wagon	4A9 803 069			253.40
18 FWD	4A9 803 069 A			d250.15
19 AWD	R 4A9 803 891 D			24.55
20 Reinf, Rear	L 4A9 803 891 E			41.95
	4A0 804 084			687.21
21 Pan, Floor Front				
Support, Rear Seat				
1992-93	4A0 803 231			151.25
1994-97	4A0 803 231 C			101.20
1998				
A6				
Wagon	4A0 803 231 C			101.20
23 Panel, Rear Shelf				
Sedan	92-95 4A5 813 111			536.00
	96-97 4A5 813 111 A			515.00

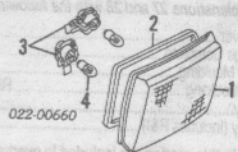
REAR LAMPS

COMBINATION LAMP ON QUARTER PANEL



1 Lens & Housing				
Sedan	R 4A5 945 218 A		.5	122.00
	L 4A5 945 217 A		.5	122.00
Wagon	R 4A9 945 218 A		.5	155.85
	L 4A9 945 217 A		.5	155.85
2 Gasket, Lamp	AKD 497 010 04 R10			33.25
<i>#Sold in 10 Meter Roll, Cut to Fit</i>				
3 Holder, Bulb	R/L 4A0 945 222-1			19.90
4 Bulb (2/Side)	R/L N 017 738 2		.2	2.10
5 Retainer, Lamp	R/L 4A0 945 568-7			14.05

COMBINATION LAMP ON DECK LID



1 Lens & Housing				
	R 4A0 945 224 B		.5	132.40
	L 4A0 945 223 B		.5	132.40
2 Gasket, Lamp	AKD 497 010 04 R10			33.25
<i>#Sold in 10 Meter Roll, Cut to Fit</i>				
3 Socket, Bulb				
Outer	R/L 893 945 265			5.40
Inner	R/L 893 945 265 B			7.25
4 Bulb	R/L N 017 732 2			1.70

LICENSE LAMP

Illustration Located in Next Column

1 Lamp Assy	R/L 4A0 943 021		.3	19.50
2 Socket, Bulb	R/L 481 943 117			7.25
3 Bulb	R/L N 017 717 2		.2	1.50
<i>#Included w/Lamp Assy</i>				
4 Gasket, Mount	R/L 443 943 191			2.90