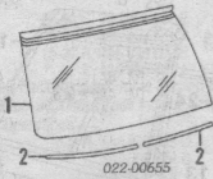
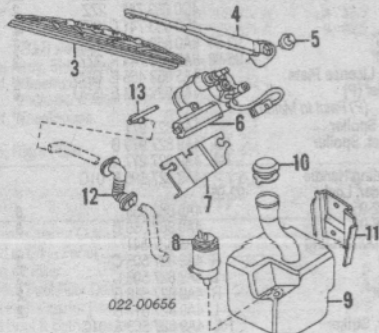


LIFTGATE Cont'd

GLASS & PARTS



1 Glass, Liftgate Audi (Heated) Tint w/Quattro Inscription w/o Quattro Inscription NAGS (Heated/Green) w/Wiper w/o Wiper	4A9 845 501 DA 4A9 845 501 DA FB04727GTY FB04844GTY AKL 448 030 05	2.5 2.5 2.5 2.5	355.05 355.05 1254.30 913.10
2 Seal, Lower Cut to Fit Adhesive Set, Glass (Metal) Wire, Cutting Sealant, 1K Adhesive Sealant, Polyurethane	D 000 703 A1 357 845 955 DH 009 100 03 AKD 476 KD5 05	8.00 97.40 22.80 12.50	



3 Blade, Wiper	1H0 955 427	.1	7.70
4 Arm, Wiper Includes R&R Wiper Blade	4A9 955 407 03C	#2	40.65
5 Cap, Arm	8D9 955 205		2.15
6 Motor, Wiper	8A9 955 713	.6	218.95
7 Bracket, Motor	4A9 955 725		5.60
8 Pump, Washer	431 955 651	#5	53.60
9 Reservoir, Washer R&R Complete	4A9 955 453	#5	54.15
10 Cap, Filler	8D0 955 455	3.55	
11 Bracket, Reservoir	4A0 955 457	11.65	
12 Grommet	4A9 971 840 A	8.15	
13 Nozzle, Washer	8A9 955 985	9.15	

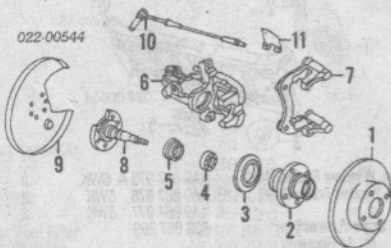
REAR SUSPENSION

Use Procedure Explanation 23 with the following text.

FWD

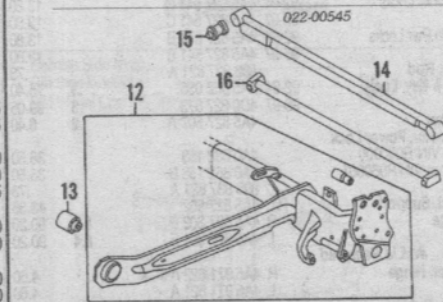
R&I Rear Suspension Assy.....	m	2.5
Check Rear Alignment.....	m	.8
Add to Adjust Front Alignment.....	m	5
Bleed Brake System w/ABS.....	m	4
w/o ABS.....	m	3

NOTE: R&I/R&R Does Not include alignment or bleed brake system.

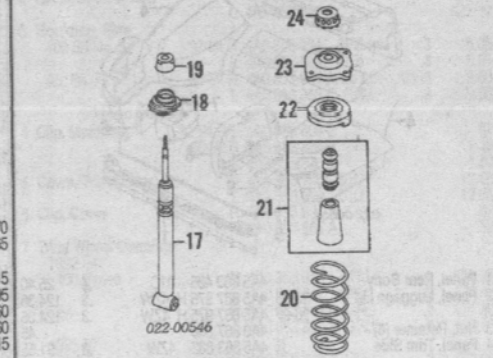


1 Rotor, Brake R&R Both Sides 1.2	R/L 4A0 615 601 A	m #.7	72.61
2 Hub, Rotor	R/L 4A0 501 653 C	m #1.5	293.35
3 Ring, ABS Sensor	R/L 443 614 149 A	m #1.5	21.50
4 Bearing, Outer	R/L 211 405 645 D	m #1.5	13.85
5 Seal, Wheel R&R One Side Complete, Includes R&R Rotor, R&R Both Sides 2.6	92-94 R/L 357 501 641 B 95-97 R/L 8A0 501 641 A	m #1.5 m #1.5	4.10 2.15

6 Caliper, Brake 92-94 R/L 443 615 424 AX L 443 615 423 AX 95-97 R/L 4A0 615 424-3 R/L 443 615 425 B	m #.5 m #.5 m #.5 m #.5	R273.96 R273.96 399.55 99.05
7 Carrier, Caliper R&R One Side Complete, w/Rotor Removed 2, R&R Both Sides		
8 Hose, Brake R/L 8D0 611 775 D #w/Caliper Removed 1	m #.3	37.15
9 Axle, Stub R/L 4A0 501 117 A	m #1.8	195.65
9 Shield, Splash R 443 615 612 B L 443 615 611 B	m #1.8 m #1.8	21.05 21.05



12 Beam, Axle	4A0 500 047	m #3.2	663.00
13 Bushing, Inner R&R Complete	R/L 4A0 511 247	m #3.2	28.70
14 Bar, Track	4A0 505 175	m #.9	86.55
15 Bushing, Bar R&R Complete	R/L 431 505 172	m #.9	8.45
16 Bar, Stabilizer	4A0 511 407	m #.8	162.25



17 Absorber, Shock Sedan Wagon	R/L 4A0 513 031 R/L 4A9 513 031 B	m #1.7 m #1.7	138.60 151.35
18 Seat, Spring Lower	R/L 443 512 103	m #1.7	19.85
19 Cap, Protective	R/L 443 512 127	m #1.7	1.80
20 Spring, Coil Sedan Wagon	R/L 4A5 511 115 AA R/L 4A9 511 115 AB	m #1.7 m #1.7	173.90 194.35
21 Stop, Rubber	R/L 4A0 512 129	m #1.7	23.15
22 Ring, Damping	R/L 443 511 297 B	m #1.7	8.08
23 Seat, Spring Upper	R/L 443 512 113	m #1.7	31.70
24 Ring, Bearing	R/L 4A0 512 129	m #1.7	23.15

AWD

R&I Suspension Assy.....	m	3.0
O/H Suspension (Includes R&I) One Side.....	R/Lm	3.7
Both Sides.....	m	7.2
Adjust Four Wheel Alignment.....	m	1.8
Adjust Rear Alignment.....	m	1.3
Bleed Brake System w/ABS.....	m	4
w/o ABS.....	m	3

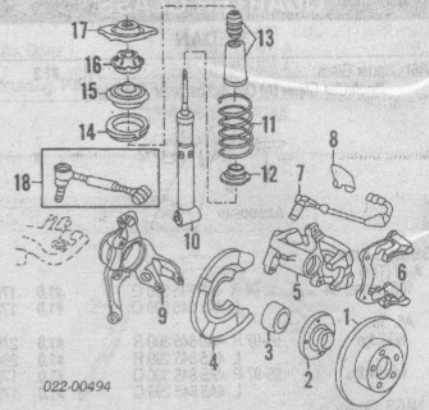
NOTE 1: R&I/R&R or O/H Does Not include alignment or bleed brake system.

NOTE 2: Refer to Special Cautions Section at the beginning of this vehicle text.

NOTE 3: All Parts in this section are included in overhaul unless noted otherwise.

Illustration Located in Next Column

1 Rotor, Brake 5 Cyl 6 Cyl	R/L 857 615 601 R/L 4A0 615 601 A	m #.7 m #.7	115.90 72.61
---	--------------------------------------	----------------	-----------------



2 Hub, Wheel 5 Cyl 6 Cyl	R/L 441 501 653 B R/L 4A0 501 653 D	m #1.5 m #1.5	300.35 293.35
3 Bearing, Wheel	R/L 443 498 625 F	m #1.5	125.80
4 Shield, Splash 5 Cyl 6 Cyl	R/L 441 615 611 A R/L 443 615 611	m #1.5 m #1.5	31.65 21.05
5 Caliper, Brake 5 Cyl 6 Cyl	R/L 447 615 424-3 R 853 615 424 AX L 853 615 423 AX	m #.5 m #.5 m #.5	828.00 R234.80 R234.80
6 Carrier, Caliper 5 Cyl 6 Cyl	R/L 447 615 425 B R/L 443 615 425 B	m #.5 m #.5	181.50 99.05
7 Sensor, ABS-See ABS/Brakes Section			
8 Brkt, Sensor-See ABS/Brakes Section			
9 Knuckle R 4A0 505 432 A L 4A0 505 431 A	m #1.8 m #1.8	805.00 805.00	

#R&R One Side Complete, Includes R&R Brake Rotor, R&R Both Sides 2.6

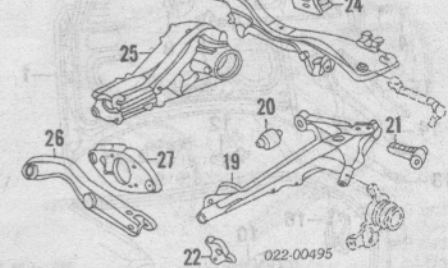
10 Absorber, Shock Sedan 5 Cyl 6 Cyl Wagon 5 Cyl 6 Cyl	R/L 4A5 513 031 A R/L 4A5 513 031 R/L 4A9 513 031 D R/L 4A9 513 031 C R/L 4A5 511 115 S	m #1.7 m #1.7 m #1.7 m #1.7 m #1.7	222.35 222.35 300.30 302.80 74.55
---	---	--	---

12 Seat, Spring Lower	R/L 443 512 103	m #1.7	19.85
13 Stop, Rubber 5 Cyl 6 Cyl	R/L 441 512 129 R/L 443 512 129 B R/L 4A9 512 129	m #1.7 m #1.7 m #1.7	31.00 20.07 23.15
14 Ring, Damping 5 Cyl 6 Cyl	R/L 441 512 297 R 443 511 298 A L 443 511 297 E	m #1.7 m #1.7 m #1.7	7.40 12.23 12.23

15 Seat, Spring Upper 5 Cyl	R/L 441 512 107 A	m #1.7	17.00
16 Ring, Bearing	R/L 441 512 331	m #1.7	70.55
17 Seat, Spring Upper 5 Cyl 6 Cyl	R/L 441 512 107 A R/L 443 512 113	m #1.7 m #1.7	17.00 31.70

18 Arm, Upper Control L 443 505 352 P L 443 505 351 P 4A0 511 409 B	m #.6 m #.6 m #.8	188.60 188.60 227.20
Bar, Stabilizer Link, Stabilizer R/L 4A0 505 389	m #.8	74.75

#R&R Complete, Not Included in O/H



19 Arm Assy, Lower Control R 4A0 511 512 B L 4A0 511 511 B	m #1.5 m #1.5	656.00 656.00	
20 Bushing, Arm Included w/Lower Control Arm Assy #w/Control Arm Removed	R/L 4D0 511 523 C	m #.3	65.05
21 Bracket, Toe Adjust R 443 511 224 C L 443 511 223 C	m m	326.80 326.80	
22 Support w/Bushing	R 4A0 511 330 A	m	232.35