

QUARTER GLASS

SEDAN

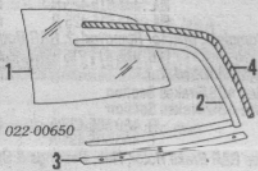
R&I Quarter Glass.....R/L #1.2
#Includes Clean Up Old Adhesive as Necessary



1 Glass, Quarter Audi (Tint) 100 Series, S4	92-94 R 4A5 845 300 Q	#1.0	179.65
	L 4A5 845 299 Q	#1.0	179.65
A6, S6 w/Mldgs	95-97 R 4A5 845 300 R	#1.0	275.40
	L 4A5 845 299 R	#1.0	264.80
w/o Mldgs	95-97 R 4A5 845 300 Q	#1.0	179.65
	L 4A5 845 299 Q	#1.0	179.65
NAGS (Green) w/Attachment w/o Attachment	R/L F004587-8GTY	#1.0	695.80
	R/L F004587-8GTN	#1.0	0.00
<i>#Includes Clean Up Old Adhesive as Necessary</i>			
2 Bracket, Retaining (3/Side)	92-94 R/L 4A5 845 453		.82
	95-97 R/L 4A0 853 910		1.40
3 Foil, Protective] [Cut to Fit	AKL 448 030 05		49.45
4 Rivet (3/Side)	R/L N 905 763 01		.45

WAGON

R&I Quarter Glass.....R/L #2.2
#Includes Clean Up Old Adhesive as Necessary



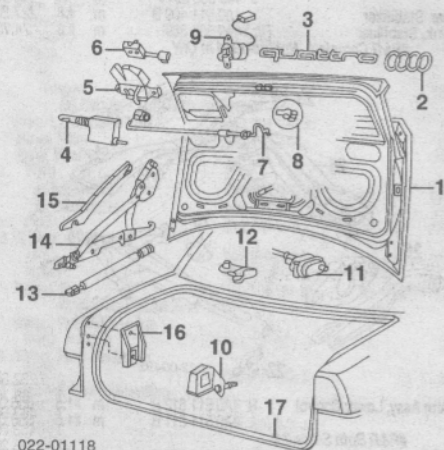
1 Glass, Quarter Audi (Tint) 1992-94	R 4A9 845 302 A	#2.0	200.35
	L 4A9 845 301 A	#2.0	200.35
1995-98	R 4A9 845 300 Q	#2.0	308.70
	L 4A9 845 299 Q	#2.0	308.70
NAGS (Green)	R/L F004725-6GTN	#2.0	515.90
<i>#Includes Clean Up Old Adhesive as Necessary</i>			
2 Seal, Glass	R 4A9 845 142 C		179.95
	L 4A9 845 141 C		179.95
3 Foil, Protective] [Cut to Fit	AKL 448 030 05		49.45
4 Strip, Retaining	R/L 4A9 845 453 D		48.35

LUGGAGE LID

Use Procedure Explanations 24 and 28 with the following text.

SHEET METAL

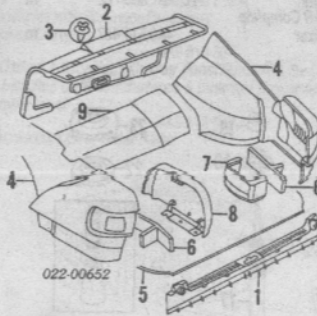
Refinish Luggage Lid Outside.....	2.5
Add for Underside.....	1.2
Refinish Hinge.....R/L	.2
R&I Luggage Lid.....	.6



1 Lid, Luggage	4A5 827 023 E	2.0	572.00
2 Ornament, Audi	4A5 853 742 ZZZ	2	17.50
3 Nameplate "Audi" "Quattro"	92-94 4A5 853 687 ZZZ	2	17.50
	92-94 4A5 853 737 ZZZ	2	25.95

"100"	95-97 4B0 853 737 D ZZZ	.2	11.55
"A"	92-94 4A5 853 741 B ZZZ	.2	8.45
"6"	95-97 4A5 853 741 D ZZZ	.2	5.60
"S"	95-97 4A5 853 741 E ZZZ	.2	5.60
"CS"	92-94 4A5 853 745 D ZZZ	.2	8.45
"S4"	92-94 4A5 853 745 E ZZZ	.2	11.55
"S6"	92-94 4A5 853 735 A ZZZ	.2	61.50
"2.8"	95-97 4A5 853 735 E ZZZ	.2	21.35
	4A5 853 743 M ZZZ	.2	11.55
Trim, License Plate	4A5 853 465 E GRU		112.10
4 Solenoid, Latch	4A5 962 115		103.30
5 Latch	4A5 827 505 H 01C		41.00
6 Switch, Alarm	92-94 4A5 959 489 A		30.00
	95-97 4A5 959 489 B		29.40
7 Rod, Connecting w/Pwr Locks	92-94 4A5 827 541 C		13.80
	95-97 4A5 827 541 B		13.80
w/o Pwr Locks	92-94 4A5 827 541 B		13.80
	95-97 4A5 827 541 B		13.80
8 Clip, Rod	893 837 821 A		.73
9 Cyl & Key, Lock	92-94 4A5 862 055		75.40
	96-97 4D0 827 573		99.05
10 Striker	4A5 827 507 A		8.40
11 Actuator, Power Lock To VIN R080000	4A0 862 153		36.50
From VIN R080001	4A0 862 153 B		36.50
12 Clip	893 837 821 A		.73
13 Strut, Support	R/L 4A5 827 552		43.35
14 Hinge	R 4A5 827 302 E	#.4	90.20
	L 4A5 827 301 E	#.4	90.20
<i>#w/Lid Removed</i>			
15 Cover, Hinge	R 4A5 971 822 A		4.60
	L 4A5 971 821 A		4.60
16 Stop, Rubber	4A5 827 347		14.70
17 Weatherstrip	4A5 827 705		92.15

INTERIOR TRIM



1 Panel, Rear Body	4A5 863 485 01C	.4	25.40
2 Panel, Luggage Lid	92-95 4A5 867 975 H 4ZW	.3	124.35
	96-97 4A5 867 975 H 4ZW	.3	124.35
3 Nut, Retainer (6)	4A0 867 340		.45
4 Panel, Trim Side	R 4A5 863 882 4ZW	.3	91.55
	L 4A5 863 881 4ZW	.3	104.25
5 Panel, Trim Lower Rubber Fleece	4A5 863 463 L C41	.2	231.75
	4A5 863 463 4ZW	.2	74.05
6 Shelf	R 4A5 863 476 4ZW	.2	42.35
	L 4A5 863 475 4ZW	.2	52.70
7 Cover, CD Changer	92-94 4A5 863 716 4ZW	.2	96.55
	95-97 4A5 863 716 A 4ZW	.2	148.50
8 Cover, Battery	4A5 863 715 4ZW	.2	241.10
9 Panel, Trim Front	4A5 863 464 4ZW	.2	35.90

LIFTGATE

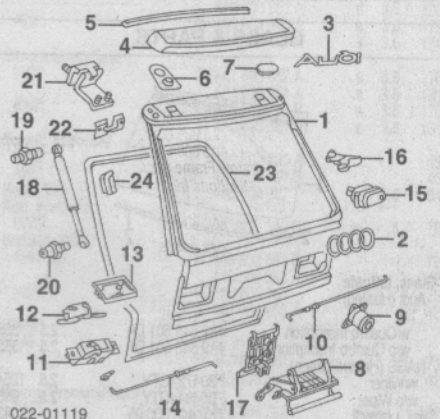
Use Procedure Explanations 25 and 28 with the following text.

SHEET METAL

Refinish Liftgate Outside.....	2.0
Add for Underside.....	1.0
Refinish Hinge.....R/L	.2
Refinish Spoiler.....	.8
R&I Gate Assy.....	.8
Add to R&R Liftgate To Transfer Glass.....	.7

Illustration Located in Next Column

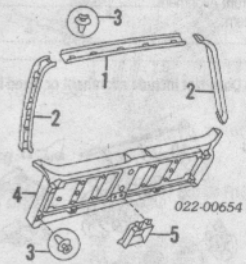
1 Shell, Liftgate 1992-94 FWD	4A9 827 023 T	3.0	560.01
AWD	4A9 827 025 C	3.0	d853.00
To VIN P013076 From VIN P013077	4A9 827 023 T	3.0	560.01
1995-97	4A9 827 023 T	3.0	560.01
To VIN S075000 From VIN S075001	4A9 827 023 T	3.0	560.01
1998 A6 Wagon	4A9 827 023 S	3.0	559.00
2 Ornament, Audi	441 853 742 ZZZ	.2	17.50
3 Nameplate "Audi"	92-94 893 853 687 ZZZ	.2	17.50



"Quattro" 1992-94 To 6-92 From 7-92	893 853 737 C ZZZ	.2	19.05
1995-98	8A0 853 737 C ZZZ	.2	15.50
"100"	92-94 4A9 853 741 ZZZ	.2	11.55
"A"	4D0 853 741 ZZZ	.2	8.45
"6"	4B0 853 741 C ZZZ	.2	4.10
"CS"	92-94 8A0 853 745 B ZZZ	.2	11.55
"2.8"	95-98 8A0 853 743 F ZZZ	.2	11.55
Trim, License Plate	4A5 853 465 E GRU		112.10
4 Spoiler (P) (P) Paint to Match	4A9 827 933 E GRU	.6	543.03

5 Seal, Spoiler	4A9 827 971		d13.75
6 Gasket, Spoiler	R/L 4A9 827 979 B		2.45
7 Cap	R/L 4A9 827 277		d2.20
8 Moulding/Handle	4A9 827 565 E 01C		95.90
9 Cylinder, Lock 1992-95	4A9 862 055	.6	75.40
1996-98	4A9 862 055 B	.6	73.35
10 Rod, Connecting	4A9 827 541		13.40
11 Latch	R 4A9 827 505 C	.3	56.50
	L 4A9 827 506 C	.3	75.80
12 Striker	R 4A9 827 518 B	.2	25.15
	L 4A9 827 517 B	.2	25.15
13 Cover, Striker	R/L 4A9 827 563 A 01C		2.55
14 Rod, Actuator	R/L 4A9 827 591		6.10
15 Actuator, Pwr Lock 1992-94	4A9 862 153 A		38.15
1995-98	4A9 862 153 A		38.15
16 Clip	893 837 821 A		.73
17 Lever, Inside] (Vehicles w/Child Seat	4A9 827 653 01C		70.70
18 Strut, Support	R/L 4A9 827 552		52.05
19 Ball Stud, Upper	R/L 533 827 345 C		5.55
20 Ball Stud, Lower	R/L 533 827 345 C		5.55
21 Hinge From VIN R023870	R/L 4A9 827 299 D	#.3	43.80
From VIN R023871	R/L 4A9 827 299 D	#.3	43.80
<i>#w/Lid Removed, R&R Both .5</i>			
22 Cap, Hinge To VIN P013076	R N 038 501 2		.67
	L 4A9 827 279 A		11.90
From VIN P013077	R 4A9 827 280 C		12.30
	L 4A9 827 279 C		12.30
23 Weatherstrip	4A9 827 705 D	.3	129.45
24 Deflector, Water	R/L 4A9 827 430-29		4.30

INTERIOR TRIM



1 Panel, Window Frame Up] R	4A9 867 975 A 5WK	.2	60.55
2 Panel, Window Frame Side] L	4A9 867 978 5WK	.2	82.85
	L 4A9 867 977 5WK	.2	82.85
3 Clip, Upper/Lower] (a) (a) As Required	823 867 299		1.16
4 Panel, Trim Lower] w/Child Seat To 11-94	4A9 867 979 B BGF	.4	d697.00
From 12-94 w/o Child Seat	4A9 867 979 F BGF	.4	698.00
To 11-94	4A9 867 979 A BGG	.3	d177.90
From 12-94	4A9 867 979 E BGF	.3	457.64
<i>[Gray listed, Order by Application</i>			
5 Moulding, Grip	4A9 867 967 9XB		38.75