

QUARTER PANEL Cont'd

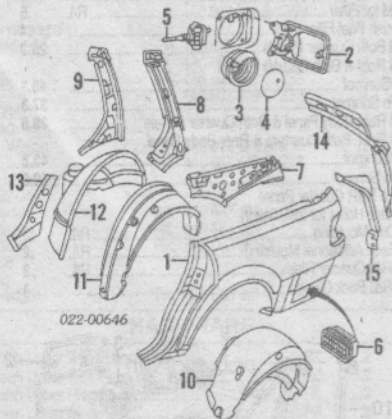
SHEET METAL

SEDAN Cont'd

1 Panel, Outer Quarter 100 Series, S4	92-94 R 4A5 809 602 B L 4A5 809 601 A	#16.0 #15.5	393.85 347.65
A6, S6	95-97 R 4A5 809 602 B L 4A5 809 601 A	#16.0 #15.5	393.85 347.65
<i>#Add to R&R Back Window Frame Section 6.5, Deduct 5.5 w/Roof Removed, Deductions Include Common Surfaces & Included Operations</i>			
2 Door, Fuel Filler	R 4A0 809 905 D	3	36.80
3 Seal, Opening	4A0 809 974 B		5.50
4 Ring, Retainer	8A0 809 929		2.50
5 Actuator, Power Lock To VIN R080000 From VIN R080001	4A0 862 153 A 4A0 862 153 C		39.30 38.15
6 Vent, Pressure Release	R/L 4A0 819 181		18.20
7 Reinf, Rear Upper	R 4A5 809 630 B L 4A5 809 629 B		125.25 125.25
8 Reinf, Lamp Aperature	R 4A5 809 614 A L 4A5 809 613 A		65.40 65.40
9 Plate, Gusset	R 4A5 809 660 A L 4A5 809 649 A		24.65 21.05
10 Pillar, Upper Outer	R/L 4A5 809 268-7	3.5	115.90
11 Liner, Fender Inr (Plastic)	R 4A0 810 172 C L 4A0 810 171	4	39.75 39.75
12 Wheelhouse, Outer	R 4A0 809 412 A L 4A0 809 411 A	s #3.0 s #3.0	171.35 168.65
13 Wheelhouse, Inner FWD AWD	R/L 4A0 809 852-1 R 4A0 809 852 A L 4A0 809 851 A	s #2.5 s #2.5 s #2.5	344.50 344.50 344.50
<i>#R&R Both One Side 4.5</i>			
14 Panel Assy, Side Inner	R/L 4A5 809 048-7		258.25
15 Reinf, Wheelhouse	R/L 4A5 809 442-1	5	26.95
<i>(Included w/Inner Side Panel Assy)</i>			
16 Reinf, Wheelhouse	R 4A0 809 430 L 4A0 809 429		23.15 23.85
17 Plate, Right Filler	4A5 809 424		23.75

SHEET METAL
WAGON

Refinish Quarter Outside	R/L	2.5	
Add to Edge Panel	R/L	5	
Add for Pillar	R/L	5	
Refinish Fuel Filler Door		4	
R&R Both Quarter Panels		29.9	
R&R Roof & Both Quarter Panels			
w/Sunroof		48.4	
w/o Sunroof		45.9	
R&R Rear Body Panel & Both Quarter Panels		33.4	
R&R Roof, Both Quarters & Rear Body Panel			
w/Sunroof		51.9	
w/o Sunroof		49.4	
Add to R&R Quarter Panel			
To Drill Holes for Installation			
One Moulding	R/L	3	
Each Additional Moulding	R/L	2	
To R&I Quarter Glass	R/L	2	



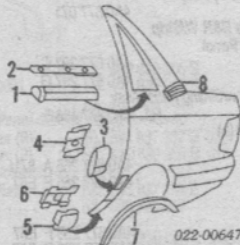
022-00646

1 Panel, Outer Qtr 1992-94	R 4A9 809 604 B L 4A9 809 603 B	16.0 15.0	378.70 367.66
1995-98	R 4A9 809 604 B L 4A9 809 603 B	16.0 15.0	378.70 367.66
2 Door, Fuel Filler	4A0 809 905 D	3	36.80
3 Seal, Opening	4A0 809 974 B		5.50
4 Ring, Retainer	8A0 809 929		2.50
5 Actuator, Power Lock To VIN R080000 From VIN R080001	4A0 862 153 A 4A0 862 153 C		39.30 38.15
6 Vent, Pressure Release	R/L 4A0 819 181		18.20
7 Reinf, Pillar Upper	R/L 4A9 809 992-1	3.5	123.38
8 Pillar, Upper Outer	R/L 4A9 809 268-7	3.0	115.90
9 Pillar, Upper Inner	R/L 4A9 809 802-1	3.0	160.45
10 Liner, Fender Inr (Plastic)	R 4A0 810 172 C L 4A0 810 171	4	39.75 39.75

11 Wheelhouse, Outer	R 4A0 809 412 A L 4A0 809 411 A	#3.0 #3.0	171.35 168.65
12 Wheelhouse, Inner FWD AWD	R/L 4A0 809 852-1	s #2.5	344.50
1992-94	R/L 4A0 809 852-1	s #2.5	344.50
1995-98	R 4A0 809 852 A L 4A0 809 851 A	s #2.5 s #2.5	344.50 344.50
<i>#R&R Both One Side 4.5</i>			
13 Reinf, Wheelhouse	R 4A0 809 430 L 4A0 809 429	2.0 2.0	23.15 23.85
14 Pillar, Rear Inner	R 4A9 809 352 A L 4A9 809 351 A		176.80 110.20
15 Reinf, Rear	R 4A9 809 650 A L 4A9 809 649 A		60.35 60.35

EXTERIOR TRIM
SEDAN

Refinish Side Midg	R/L	.3	
R&I Side Moulding	R/L	.3	
R&I Wheel Opening Trim	R/L	2	



022-00647

1 Moulding, Belt S4	R 4A5 853 346 C 01C L 4A5 853 345 C 01C	2	d45.65 d45.65
2 Retainer, Moulding	R 4A5 853 398 A L 4A5 853 397 A		d22.10 d22.10

3 Moulding, Side 100 Series, S4	92-94 R 4A0 853 984 3FZ L 4A0 853 983 3FZ	3	5.85 5.85
A6, S6 (P)	95-97 R 4A0 853 984 A GRU L 4A0 853 983 A GRU	3	9.60 9.60

(P) Paint to Match

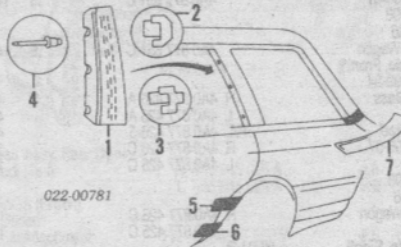
4 Clip, Moulding	92-94 R/L 4A0 853 806-5 95-97 R 4A0 853 826 H L 4A0 853 825 H		.82 1.40 1.40
5 Cover, Trim Lower	R 4A0 853 700 01C L 4A0 853 699 01C		12.05 12.05
6 Clip, Cover	R 4A0 853 806 A L 4A0 853 805 A		.82 .82

7 Trim, Wheel Opening 1992-94 100 Series	R 4A0 853 818 GRU L 4A0 853 817 GRU	2	d50.25 d32.40
S4	R 4A0 853 818 A GRU L 4A0 853 817 A GRU	2	171.90 166.85
1995-97 To 9-94	R 4A0 853 818 A GRU L 4A0 853 817 A GRU	2	171.90 166.85
From 10-94	R 4A0 853 818 C GRU L 4A0 853 817 C GRU	2	140.18 144.03

8 Moulding, Pillar-See Roof Section

EXTERIOR TRIM
WAGON

Refinish Side Moulding	R/L	3	
R&I Side Moulding	R/L	2	



022-00781

1 Midg, Pillar Trim 1992-94	R 4A9 853 218 A 01C L 4A9 853 377 A 01C	3	d35.50 57.00
1995-98	R 4A9 853 378 A 01C L 4A9 853 377 A 01C	3	57.00 57.00
2 Clip, Upper	R/L 4A9 853 231 D		13.40
3 Clip, Lower	R/L 4A9 853 231 D		13.40
4 Rivet (3/Side)	R/L N 906 349 01		.38
5 Moulding, Side (P) 100 Series, S4	92-94 R 4A0 853 984 3FZ L 4A0 853 983 3FZ	2	5.85 5.85

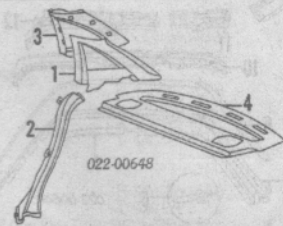
A6	R 4A0 853 964 A GRU L 4A0 853 963 A GRU	2	9.60 9.60
S6	R 4A0 853 984 A GRU L 4A0 853 983 A GRU	2	9.60 9.60

(P) Paint to Match
Clip, Moulding
1992-94 R/L 4A0 853 806-5 .82

1995-98	R 4A0 853 826 H L 4A0 853 825 H		1.40 1.40
6 Cover, Trim Lower	R 4A0 853 700 01C L 4A0 853 699 01C		12.05 12.05
Clip, Cover	R 4A0 853 806 A L 4A0 853 805 A		.82 .82

7 Moulding, Pillar-See Roof Section

INTERIOR TRIM
SEDAN

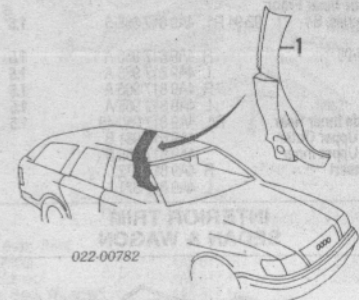


022-00648

1 Panel, Upper Trim	R 4A5 867 242 A ADP L 4A5 867 241 A ADP	3	104.60 104.60
2 Panel, Lower Trim	R 4A0 864 608 3VF L 4A0 864 607 3VF	3	7.10 7.10

<i>(Gray listed, Order by Application)</i>			
3 Insulator, Upper	R 4A5 867 278 A L 4A5 867 277 A		16.05 16.05
4 Tray, Package Shelf	4A5 863 411 3WZ	#7	104.25
<i>#Includes R&R Speakers & Grilles</i>			
Speaker, Radio (Kit) w/Bose Sound System	R 4A5 035 402 A 3VF L 4A5 035 401 3VF	.6	d308.19 d292.49
w/o Bose Sound System	R 4A5 035 402 3VF L 4A5 035 401 3VF	.6	292.95 d259.25
<i>(Gray listed, Order by Application)</i>			

INTERIOR TRIM
WAGON

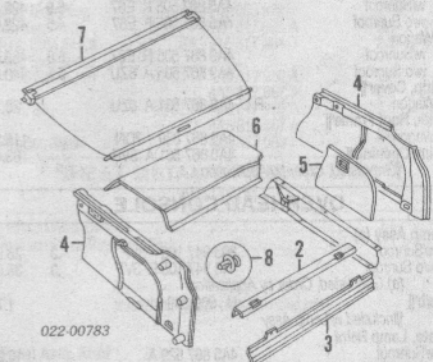


022-00782

1 Pnl, C Pillar Trim	R 4A9 867 242 7DN L 4A9 867 241 7DN	3	d163.95 163.95
1992-95	R 4A9 869 242 7CX L 4A9 869 241 7CX	3	0.00 0.00
1996-98	R 4A9 869 242 7CX L 4A9 869 241 7CX	3	0.00 0.00

Pnl, D Pillar Trim	R 4A9 867 296 7DN L 4A9 867 295 7DN		122.50 122.50
1992-95	R 4A9 867 296 7CX L 4A9 867 295 7CX		129.75 129.75
1996-98	R 4A9 867 296 7CX L 4A9 867 295 7CX		129.75 129.75

(Gray listed, Order by Application)



022-00783

2 Plate, Sill	4A9 863 471	2	202.60
3 Panel, Rear Body	4A9 863 467 F82	2	88.70
4 Panel, Side Trim	R 4A9 863 882 A EHH L 4A9 863 881 EHH	3	463.66 463.66
5 Cover, Side Trim	R 4A9 863 716 F82 L 4A9 863 715 F82	1	228.20 228.20
6 Panel, Lwr Trim	4A9 863 462 A F82	2	301.25
7 Blind, Compartment	4A9 863 553 A H99		451.51
<i>(Blue listed, Order by Application)</i>			
8 Clip, Side Trim (a)	823 867 299		1.16
<i>(a) As Required</i>			