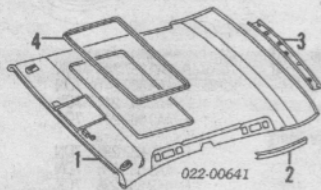


Chrome	L 4A9 853 703 J 01C	.5	106.50	
	R 4A9 853 704 K 2ZZ	.5	211.90	
	L 4A9 853 703 K 2ZZ	.5	211.90	
4 Strip, Cover	R 4A9 853 710 K 01C	.5	27.05	
	L 4A9 853 709 K 01C	.5	27.90	
	AKL 448 030 05		49.45	
5 Tape, Sealing				
6 Rivet, Cover Strip	R/L N 905 763 01		45	
7 Mldg, Pillar Trim (P)	R 4A9 853 216 GRU	.5	28.15	
	L 4A9 853 215 GRU	.5	27.15	
	(P) Paint to Match			
8 Clip, Moulding	R 4A9 853 930		3.75	
	L 4A9 853 929		3.60	
9 Header, Front	4A0 817 995 A	1.5	70.45	
	1992-95			
	1996-98			
	FWD	4A0 817 995 A	1.5	70.45
	AWD	4A0 817 995 A	1.5	70.45
10 Rail, Side Outer	R 4A9 817 976 A		266.50	
	L 4A9 817 975 A		266.50	
11 Rail, Side Inner Front	92-94 R/L 4A9 817 966-5	1.5	d66.85	
	A6			
	1995-98			
	S4	R 4A9 817 966 A	1.5	74.40
	S6	L 4A9 817 965 A	1.5	74.40
		R 4A9 817 966 A	1.5	74.40
		L 4A9 817 965 A	1.5	74.40
12 Rail, Side Inner Rear	R/L 4A9 817 350-49	1.5	119.30	
13 Frame, Upper Outer	4A9 817 981 B		166.85	
14 Frame, Upper Inner	4A9 817 565 B		119.30	
15 Plate, Insert	R 4A9 817 372		77.75	
	L 4A9 817 371		75.50	

**INTERIOR TRIM  
SEDAN & WAGON**



1 Headliner, Moulded				
	Sedan			
	w/Sunroof	4A5 867 505 K E67	5.0	428.65
	w/o Sunroof	4A5 867 505 F E67	4.5	428.65
	Wagon			
	w/Sunroof	4A9 867 505 R E67	6.0	463.70
	w/o Sunroof	4A9 867 505 A 8ZU	5.5	440.05
2 Strip, Cover				
	Wagon	R/L 4A9 867 531 A 8ZU		28.15
3 Trim, Roof Frame				
	Wagon	4A9 867 839 7DN		115.20
4 Trim, Opening				
	Wagon	4A0 867 561 A 3VF		63.45
		(a) Gray listed, Order by Application		

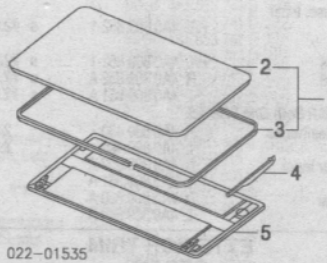
**OVERHEAD CONSOLE**

Lamp Assy (a)				
	w/Sunroof	895 947 105 3VF	.3	26.95
	w/o Sunroof	443 947 105 E 3VF	.3	35.90
		(a) Gray listed, Order by Application		
Bulb		N 900 349 01		1.75
		(b) Included w/Lamp Assy		
Plate, Lamp Reint				
	w/Sunroof	4A0 867 529 A		10.25
	w/o Sunroof	4A0 867 529		5.15

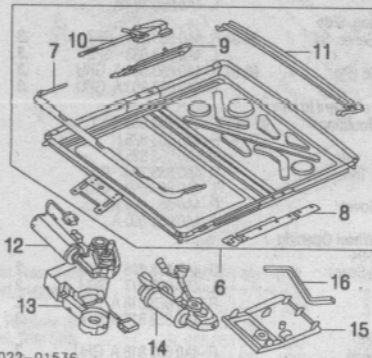
**SUNROOF**

Refinishing Sliding Panel	1.0
R&I Sliding Panel	1.5
O/H Sunroof	#3.5
	(b) w/Headliner Removed
Adjust Sunroof	1.0

NOTE: All Parts in this section are included in overhaul unless noted otherwise.



1 Panel Assy, Sliding				
	Glass	4A0 877 071 A	1.5	523.01
	Steel-Service by Components			
2 Panel, Sliding				
	Glass	4A0 877 071	#1.8	437.20
	Steel-Service by Assy			
		(b) Includes R&R W/Strip		
3 W/Strip, Sliding Panel				
	Glass Panel	4A0 877 297 C	1.8	101.85
	Steel Panel	4A0 877 297 G	1.8	101.85
		(b) Included w/Sliding Panel Assy		
4 Trim, Panel		R/L 4A0 877 156-5		5.50
5 Panel, Headliner (a)				
	Glass			
	1992-95	4A0 877 255 A 8ZU		517.00
	1996-97	4A0 877 255 F E67		517.00
	1998			
	A6			
	Wagon	4A0 877 255 F E67		517.00
	Steel	4A0 877 255 E E67		301.50
		(a) Gray listed, Order by Application		
Trim, Side Inner Headliner				
	Glass	R/L 4A0 877 782-1		136.65



6 Frame Assy				
	1992-94	4A0 877 011 E	#3.5	706.00
	1995-97	4A0 877 011 H	#3.5	706.00
	1998			
	A6			
	Wagon	4A0 877 011 H	#3.5	706.00
		(b) w/Headliner Removed		
7 Deflector, Air				
	1992-94	4A0 877 651 A	.5	140.70
	1995-97	4A0 877 651 C	.5	140.70
	1998			
	A6			
	Wagon	4A0 877 651 C	.5	140.70
8 Guide, Front				
	1992-94			
	Glass	R 4A0 877 426 A		49.80
		L 4A0 877 425 A		49.80
	Steel	R/L 4A0 877 426-5		49.80
	1995-97	R 4A0 877 426 C		18.10
		L 4A0 877 425 C		18.10
	1998			
	A6			
	Wagon	R 4A0 877 426 C		18.10
		L 4A0 877 425 C		18.10
9 Guide, Side				
	92-94 R			
	1992-94	R/L 4A0 877 152-1		55.50
	1995-97	R 4A0 877 152 A		42.35
		L 4A0 877 151 A		36.45
	1998			
	A6			
	Wagon	R 4A0 877 152 A		42.35
		L 4A0 877 151 A		36.45
10 Guide w/Cable, Rear				
	Glass			
	1992-94	R/L 4A0 898 015 A		165.25
	1995-97	R/L 4A0 898 015 C		158.15
	1998			
	A6			
	Wagon	R/L 4A0 898 015 C		158.15
	Steel			
	1992-94	R/L 4A0 898 015		182.05
	1995-97	R/L 4A0 898 015 B		159.65
	1998			
	A6			
	Wagon	R/L 4A0 898 015 B		159.65

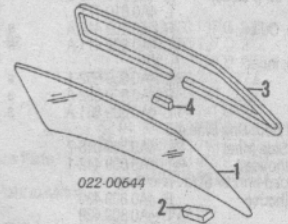
11 Channel, Rear				
	Glass	4A0 877 633 A	125.80	
	Steel	4A0 877 633	74.85	
		(b) Included w/Frame Assy		
12 Motor, Sliding Panel				
	w/Auto Preselection			
	To VIN R020000	4A0 959 605	.8	379.30
	From VIN R020001	4A0 959 609 A	.8	488.40
13 Preselection Unit				
	To VIN R020000	4A0 959 609	.8	507.02
	From VIN R020001-Service w/Sliding Panel Motor			
14 Motor, Sliding Panel				
	w/o Auto Preselection	4A0 877 795 A	.8	568.00
15 Cover, Motor (a)				
	w/Auto Preselection	895 877 829 A 7CX		189.55
	w/o Auto Preselection	4A0 877 829 7DN		169.45
		(a) Gray listed, Order by Application		
16 Crank, Gear		895 877 849		5.10

**BACK WINDOW**

Use Procedure Explanation 19 with the following text.

**SEDAN**

R&I Back Window Glass	#3.4
	(b) Includes Clean Up Old Adhesive as Necessary



1 Glass, Back Window				
	Audi (Heated/Tint)	4A5 845 501 Q	#3.0	440.40
	NAGS (Heated/Green)			
	w/Quattro	FB05280GTN	#3.0	818.60
	w/o Quattro	FB04589GTN	#3.0	818.60
		(b) Includes Clean Up Old Adhesive as Necessary		
2 Wedge, Adjustment	R/L 443 845 631 B		1.50	
Adhesive Set, Glass (Metal)	D 000 703 A1		8.00	
Wire, Cutting	357 845 955		97.40	
Sealant, 1K Adhesive	DH 009 100 03		22.80	
Sealant, 2K Adhesive	D 009 100		d36.85	
3 Moulding, Reveal	4A5 845 521 A 01C		47.25	
4 Cover, Joint	4A5 853 367 C 01C		.82	

**QUARTER PANEL**

Use Procedure Explanations 20 and 28 with the following text.

**SHEET METAL  
SEDAN**

Refinish Quarter Outside	R/L	2.3
Add to Edge Panel	R/L	.5
Add for Pillar	R/L	.5
Refinish Fuel Filler Door		.4
R&R Both Quarter Panels		25.3
R&R Roof & Both Quarter Panels		
	w/Sunroof	40.3
	w/o Sunroof	37.3
R&R Rear Body Panel & Both Quarter Panels		28.8
R&R Roof, Both Quarters & Rear Body Panel		
	w/Sunroof	43.8
	w/o Sunroof	40.8
Add to R&R Quarter Panel		
To Drill Holes for Installation		
One Moulding	R/L	.3
Each Additional Moulding	R/L	.2
To R&I Quarter Glass	R/L	.2
To R&I Back Glass		.4

