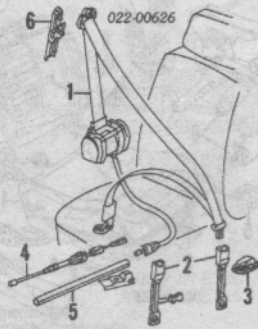


SEAT BELTS Cont'd

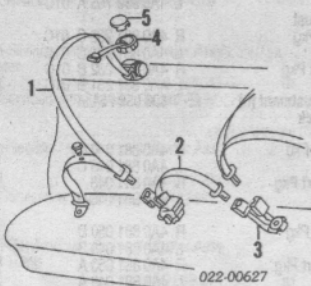
FRONT Cont'd



#w/Trim Panel Removed

2 Buckle, Belt [†]				
1992-95	R 4A0 857 755 01C	#2	13.21	
	L 4A0 857 755 A 01C	#2	26.13	
1996-97	R/L 4A0 857 755 F 01C	#2	34.20	
1998				
A6				
Wagon	R/L 4A0 857 755 F 01C	#2	34.20	
<i>†Order by Application</i>				
<i>#w/Seat Removed</i>				
3 Guide, Lock	R/L 893 858 733 A		2.10	
4 Cable, Tension [†]				
Man Trans	R/L 4A0 858 852-1		d111.75	
Auto Trans	R 4A0 858 852 A		d111.75	
	L 4A0 858 851 A		d111.75	
<i>†Order by Application</i>				
5 Tube, Cable	R 4A0 858 762		d21.10	
	L 4A0 858 761		21.10	
6 Adjuster	R/L 4A0 857 833 D		48.00	

REAR



1 Belt, Side [†]				
Sedan	R/L 4A5 857 709 E 041	#4	47.75	
Wagon	R/L 4A9 857 709 041	#4	47.75	
<i>#w/Rear Seat & Trim Panel Removed</i>				
2 Belt, Center [†]				
Sedan	4A0 857 703 041	#2	49.11	
Wagon	8A0 857 703 041	#2	47.75	
3 Buckle, Belt [†]	4A0 857 739 A 01C	#2	26.13	
<i>#w/Seat Removed</i>				
4 Guide, Belt [†]	R 4A0 857 728 01C		13.16	
	L 4A0 857 727 01C		13.71	
5 Cover, Guide [†]	R/L 4A0 857 785 01C		2.65	
<i>†Black listed, Order by Application</i>				

FRONT DOOR

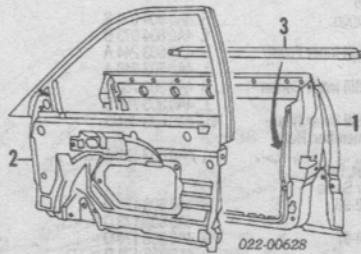
Use Procedure Explanations 16 and 28 with the following text.

SHEET METAL

Refinish Door Outside	R/L	2.2
Add for Jamb & Interior	R/L	1.0
Add for Jamb	R/L	.5
R&I Door Assy	R/L	1.0
Add to R&R Door Shell		
w/Mirror	R/L	.8
w/Pwr Lifts & Locks	R/L	1.0
To Drill Holes for Installation		
One Moulding	R/L	.3
Each Additional Moulding	R/L	.2

Illustration Located in Next Column

1 Shell, Door				
100 Series, S4	R/L 4A0 831 052-1	#6.0	421.51	
A6, S6	R 4A0 831 052 A	#6.0	434.27	
	L 4A0 831 051 A	#6.0	434.27	

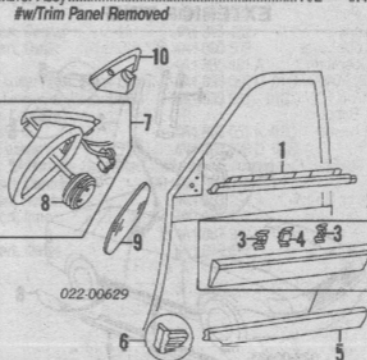


#Includes R&R Inner Panel

2 Panel, Inner (a)	R 4A0 837 754 F	3.5	552.00
	L 4A0 837 753 F	3.5	552.00
<i>(a) Includes Window Frame</i>			
3 Bar, Reinf	R/L 4A0 831 507		106.75

EXTERIOR TRIM

Refinish Mirror	R/L	.5
Refinish Side Moulding Assy	R/L	.5
R&I Side Moulding Assy	R/L	.3
R&I Mirror Assy	R/L	#4



#w/Trim Panel Removed

1 Midg, Belt [†] -See Glass & Parts Section			
<i>†Serviced w/Outer Belt W/Strip</i>			
2 Moulding Assy, Side			
100 Series, S4	92-94 R 4A0 853 952 3FZ	.3	62.55
	L 4A0 853 951 3FZ	.3	62.55
A6, S6 (P)			
1995-97	R 4A0 853 952 A GRU	.3	95.40
	L 4A0 853 951 A GRU	.3	95.40
1998			
Wagon	R 4A0 853 952 A GRU	.3	95.40
	L 4A0 853 951 A GRU	.3	95.40

(P) Paint to Match

3 Clip [†] (2/Side)			
100 Series, S4	92-94 R/L 4A0 853 825 A		4.65
A6, S6			
1995-97	R/L 4A0 853 825 J		1.40
1998			
Wagon	R/L 4A0 853 825 J		1.40
4 Clip [†] (6/Side)			
100 Series, S4	92-94 R/L 4A0 853 825		1.20
A6, S6			
1995-97	R/L 4A0 853 825 K		2.00
1998			
Wagon	R/L 4A0 853 825 K		2.00
<i>†Included w/Side Moulding Assy</i>			
5 Cover, Trim Lower	R 4A0 853 960 01C	.2	61.50
	L 4A0 853 959 01C	.2	63.95
6 Cap, Cover (2/Side)	R 4A0 853 114 01C		2.10
	L 4A0 853 113 01C		2.10

7 Mirror Assy, Rear View (P)			
w/Memory			
1992-93	R 4A1 857 502 K 3FZ	1.0	317.55
	L 4A1 857 501 K 3FZ	1.0	308.25
1994-97	R 4A1 858 532 A	1.0	278.55
	L 4A1 858 531 A	1.0	278.55
1998			
A6			
Wagon	R 4A1 858 532 D	1.0	278.55
	L 4A1 858 531 D	1.0	278.55
w/o Memory			
1992-93	R 4A1 857 502 H 3FZ	1.0	227.70
	L 4A1 857 501 H 3FZ	1.0	227.70
1994-97	R/L 4A1 858 532-1	1.0	127.00
1998			
A6			
Wagon	R/L 4A1 858 532-1	1.0	127.00

8 Adjuster w/Motor [†]			
w/Memory-Not Serviced			
w/o Memory	R/L 893 959 577		107.15
<i>†Included w/Rear View Mirror Assy</i>			

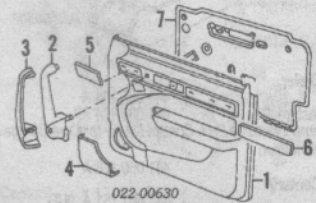
9 Glass, Mirror			
1992-93	R 4A1 857 536 D		85.40
	L 4A1 857 536 B		82.95
1994-97	R 4A1 857 536 AD		99.20
	L 4B0 857 535		38.10
1998			
A6			
Wagon	R 4B0 857 535		38.10
	L 4A1 857 536 AD		99.20

10 Gasket, Mount			
1992-93	R 4A0 857 544 A		3.70
	L 4A0 857 543 A		3.70
1994-97	R 4A0 857 544 C		3.70
	L 4A0 857 543 C		3.70
1998			
A6			
Wagon	R 4A0 857 544 C		3.70
	L 4A0 857 543 C		3.70

INTERIOR TRIM

R&I Trim Panel	R/L	.6
----------------	-----	----

NOTE: All Parts in this section are included in R&R Trim Panel unless noted otherwise.



1 Panel Assy, Outer [†]			
Velour	R 4A0 867 106 A AMB	.7	d154.00
	L 4A1 867 105 A AMB	.7	405.64
Leather	R 4A0 867 106 B AMP	.7	324.50
	L 4A1 867 105 B AMP	.7	324.50
2 Handle, Pull [†]	R 4A0 867 172 9XB	.3	18.60
	L 4A0 867 171 9XB	.3	18.60
3 Cover, Handle [†]	R 4A0 867 196 9XB		15.00
	L 4A0 867 195 9XB		14.60
4 Grille, Speaker [†]	R 4A0 035 420 3VF	.2	17.10
	L 4A0 035 419 3VF	.2	17.10

†Gray listed, Order by Application

Speaker, Radio			
w/Bose Sound System	R 4A0 035 382 C	#4	598.03
	L 4A0 035 381 C	#4	625.84
w/o Bose Sound System	R 4A0 035 382 B	#4	183.85
	L 4A0 035 381 B	#4	183.85

#Not Included in R&R Trim Panel

5 Moulding, Trim Panel Front			
w/Woodgrain			
1992	R 4A0 867 440 P11	.2	77.85
	L 4A0 867 439 P11	.2	d73.90
1993-97	R 4A0 867 440 B 1WV	.2	113.10
	L 4A0 867 439 B 1WV	.2	113.10
1998			
A6			
Wagon	R 4A0 867 440 B 1WV	.2	113.10
	L 4A0 867 439 B 1WV	.2	113.10
w/o Woodgrain	R 4A0 867 440 A X06	.2	107.35
	L 4A0 867 439 A X06	.2	109.90

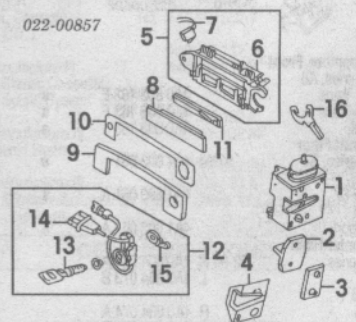
6 Moulding, Trim Panel Rear			
w/Woodgrain			
1992	R 4A0 867 410 P11	.2	d135.95
	L 4A0 867 409 P11	.2	d135.95
1993-97	R 4A0 867 410 B 1WV	.2	189.55
	L 4A0 867 409 B 1WV	.2	189.55
1998			
A6			
Wagon	R 4A0 867 410 B 1WV	.2	189.55
	L 4A0 867 409 B 1WV	.2	189.55
w/o Woodgrain	R 4A0 867 410 A X06	.2	189.55
	L 4A0 867 409 A X06	.2	d71.95

7 Pad, Insulator			
1992-93	R/L 4A0 863 979		17.50
1994-97	R/L 4A0 863 979 B		17.50
1998			
A6			
Wagon	R/L 4A0 863 979 B		17.50

HARDWARE

Refinish Outside Handle	R/L	.5
Refinish Lower Trim Plate	R/L	.2
Refinish Upper Trim Plate	R/L	.2
Refinish Upper Hinge	R/L	.2
Refinish Lower Hinge	R/L	.2
R&I Outside Handle	R/L	#3.8

#Includes R&I Trim Panel & Inner Panel



1 Latch Assy			
--------------	--	--	--