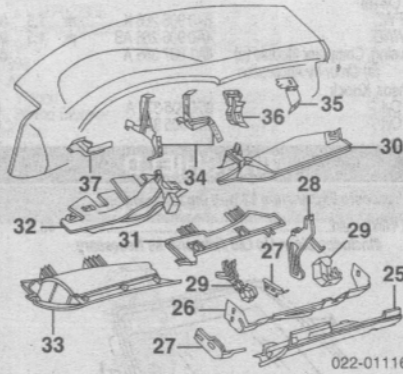


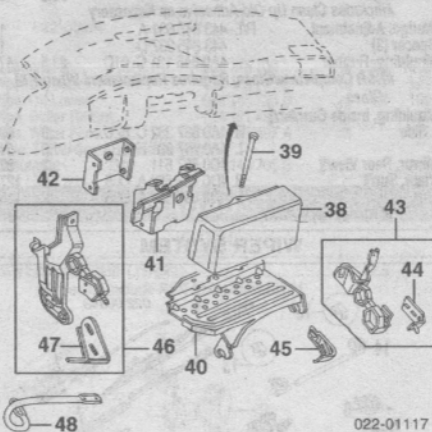
# AUDI 100/A6/S4/S6 1992-98

## INSTRUMENT PANEL Cont'd

5 Moulding, Instrument Pnl Left				
1992	4A1 853 189 P11	5	d44.10	
1993-97	4A1 853 189 B 1WV	5	116.10	
1998				
A6				
Wagon	4A1 853 189 B 1WV	5	116.10	
*Nut Brown listed, Order by Application				
6 Pad, Trim (a)	4A1 857 229 K 9XB		71.55	
7 Boot, Strg Wheel (a)	4A1 858 343 A21		73.15	
(a) Vehicles w/Height Adjustable Strg Wheel				
8 Vent, Air Center	4A0 819 631 5WK	3	d4.45	
9 Vent, Air Upper w/ATC	R 4A1 819 794 B 5WK	3	40.90	
	L 4A1 819 793 B 5WK	3	40.90	
	R 4A1 819 794 A 5WK	3	6.50	
	L 4A1 819 793 A 5WK	3	5.95	
10 Vent, Air Lower	R 4A1 820 902 01C	3	82.05	
	L 4A1 820 901 01C	3	82.05	
11 Panel, Lower Insert To 10-94	4A0 857 007 E 01C	1.0	66.65	
From 11-94	4A0 857 007 E 01C	1.0	66.65	
12 Cluster Assy, Instrument 1992-94-Serviced by Components				
1995				
A6	4A1 919 930 BX	m 1.5	R671.00	
S6	4A1 919 930 CX	m 1.5	R670.67	
1996-97				
A6	4A1 919 930 FX	m 1.5	R671.00	
S6	N.A.	m 1.5	0.00	
1998				
A6				
Wagon	4A1 919 930 HX	m 1.5	R671.00	
13 Housing, Instrument 1992-94	4A1 919 208 A	m #5	263.95	
1995-97-Serviced w/Instrument Cluster Assy				
1998				
A6				
Wagon-Serviced w/Instrument Cluster Assy				
14 Gauge, Temperature 1992-94	4A0 919 511 A	m #5	87.50	
1995-97-Serviced w/Instrument Cluster Assy				
1998				
A6				
Wagon-Serviced w/Instrument Cluster Assy				
15 Tachometer 1992-94	4A0 919 253 E	m #5	99.80	
1995-97-Serviced w/Instrument Cluster Assy				
1998				
A6				
Wagon-Serviced w/Instrument Cluster Assy				
16 Speedometer 1992-94	4A0 957 033 C	m #5	342.45	
1995-97-Serviced w/Instrument Cluster Assy				
1998				
A6				
Wagon-Serviced w/Instrument Cluster Assy				
17 Clock 1992-94	4A0 919 201 A	m #5	87.55	
1995-97-Serviced w/Instrument Cluster Assy				
1998				
A6				
Wagon-Serviced w/Instrument Cluster Assy				
18 Gauge, Oil Temp 1992-94	4A0 919 541	m #5	141.45	
1995-97-Serviced w/Instrument Cluster Assy				
1998				
A6				
Wagon-Serviced w/Instrument Cluster Assy				
19 Gauge, Oil Pressure 1992-94	4A0 919 551	m #5	141.45	
1995-97-Serviced w/Instrument Cluster Assy				
1998				
A6				
Wagon-Serviced w/Instrument Cluster Assy				
#w/Instrument Cluster Assy Removed, Not Included in R&R Instrument Panel				
20 Circuit, Printed 1992-94				
100 Series, A6	4A0 919 059 N	m 1.8	237.10	
S4, S6	4A0 919 059 M	m 1.8	237.10	
1995-97-Serviced w/Instrument Cluster Assy				
1998				
A6				
Wagon-Serviced w/Instrument Cluster Assy				
21 Circuit & Cover 1992-94				
0BD (a)	4A0 919 064 L	m	1055.00	
1995-97-Serviced w/Instrument Cluster Assy				
1998				
A6				
Wagon-Serviced w/Instrument Cluster Assy				
*Included w/Instrument Cluster Assy				
(a) Order by Application				
22 Glove Box & Door				
Single Air Bag	4A1 857 035 D 7DN	5	341.00	
Dual Air Bags	4A1 880 302 A 8FZ	5	545.03	
23 Latch, Glove Box				
Single Air Bag	4A1 857 131 E 9XB	2	49.80	
Dual Air Bags	4A1 857 131 A 7DN	2	49.80	
*Anthracite Gray listed, Order by Application				
24 Lock Cylinder & Key	92 4A0 857 113	3	24.25	
	93-97 4A0 857 113 B	3	23.85	



25 Pad, Knee Bar	4A1 880 305 8FZ	495.90
*Anthracite Gray listed, Order by Application		
26 Reinf, Bar	4A1 880 417	44.65
27 Bracket, Retaining	R 4A1 880 476	d6.45
	L 4A1 880 347	19.30
28 Support, Center	L 4A1 880 482	103.80
29 Support, Outer	R 4A1 880 503	44.50
	L 4A1 880 481 A	103.80
30 Panel, Lower Right (Under Dash)	4A1 863 052 D 01C	32.60
31 Panel, Lower Left (Under Dash)	4A1 863 081 01C	23.35
32 Cover, Lower w/ A/C	4A1 863 051 K 01C	32.60
33 Shelf, Lower	4A1 863 075 D 9XB	99.90
*Anthracite Gray listed, Order by Application		
34 Support, Center	R/L 4A1 857 320-19	23.05
35 Bracket, Retaining	4A1 857 294 A	2.10
36 Support, Inner	R 4A1 857 252 A	6.00
	L 4A1 857 247	4.10
37 Support, Outer	4A1 857 257	6.55



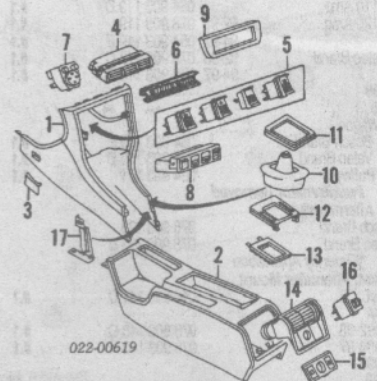
38 Module, Air Bag-See Air Bag System Section		
39 Bolt		
1992-94	N 100 420 04	m 2.10
1995-97	N 103 200 02	m 2.50
1998		
A6		
Wagon	N 103 200 02	m 2.50
40 Support, Air Bag		
1992-94	4A1 880 393 B	m 47.15
1995-97	4A1 880 393 C	m 20.40
1998		
A6		
Wagon	4A1 880 393 C	m 20.40
41 Bracket, Air Bag Outer		
1992-94	4A1 880 211 A	m 31.80
1995-97	4A1 880 211 B	m 7.80
1998		
A6		
Wagon	4A1 880 211 B	m 7.80
42 Bracket, Air Bag Inner	4A1 880 367	m d11.25
43 Right Support Assy	4A1 880 354	m 144.45
44 Bkt, Upper Setting	4A1 880 474	m 9.45
*Included w/Right Support Assy		
45 Bkt, Lower Setting	4A1 880 348 A	m 12.80
46 Left Support Assy	4A1 880 353	m 144.45
47 Bkt, Lower Setting	4A1 880 471	m 6.65
*Included w/Left Support Assy		
48 Brace, Support		
1992-94	4A1 880 433	m 14.60
1995-97	4A1 880 433 A	m 14.10
1998		
A6		
Wagon	4A1 880 433 A	m 14.10

## CENTER CONSOLE

Use Procedure Explanation 14 with the following text.

QH Front & Rear Console Complete..... 2.5

NOTE: All Parts in this section are included in overhaul unless noted otherwise.



1 Console, Center				
To 3-92	4A1 863 241 B 9XB	2.0	135.15	
From 4-92	4A1 863 241 C CGB	2.0	215.35	
2 Console, Rear	4A0 863 201 F 9XB	1.5	125.80	
3 Cover, Console	4A1 863 273 9XB		6.00	
*Anthracite Gray listed, Order by Application				
4 Vent, Air	4A1 820 951 01C		.2	123.35
5 Switch, Console (a)				
Heated Back Glass	4A0 941 503 C 01C	#.4	59.30	
Emergency Light	4A0 941 509 01C	#.4	31.35	
ABS	893 941 528 A 01C	#.4	20.50	
Rear Fog Lamp	893 941 535 01C	#.4	15.10	
(a) Order by Application				
#R&R Complete				
6 Bracket, Switch				
5 Hole	4A0 941 561 A 01C		19.50	
9 Hole	4A0 941 567 01C		5.15	
7 Switch, Rear View Mirror w/Memory	4A0 959 565 A 01C	.3	77.35	
w/o Memory	4A0 959 565 D 01C	.3	77.35	
8 Control, Heater	4A0 820 043 M 5WK	#.4	680.00	
#Includes R&R Heater Control Trim				
9 Trim Heater Control w/ATC				
Wood	4A0 820 325 C P11	.2	210.00	
Plastic	4A0 820 325 B 5WK	.2	19.20	
w/o ATC				
Wood	4A0 820 075 P11	.2	276.15	
Plastic	4A0 820 073 A 01C	.2	43.45	
10 Boot, Shift Lever				
Leather	4A0 711 110 N 9UB		198.60	
Leatherette	4A0 711 110 H A21		d87.75	
*Order by Application				
11 Retainer, Boot	4A0 863 279 C 5WK		10.55	
12 Plate, Shift Auto Trans				
Wood	4A0 863 270 P11	#.2	d183.80	
Plastic				
1992-95	4A0 863 269 D 5WK	#.2	11.50	
1996-97	4A0 863 269 G 5WK	#.2	11.20	
1998				
A6				
Wagon	4A0 863 269 G 5WK	#.2	11.20	
*Order by Application				
13 Cover, Lower				
Auto Trans				
1992-95	4A0 863 269 E 01C	#.2	7.80	
1996-97	4A0 863 269 F 01C	#.2	8.50	
1998				
A6				
Wagon	4A0 863 269 F 01C	#.2	8.50	
*Black listed, Order by Application				
#R&R Complete				
14 Vent, Air	4A0 819 203 01C		64.60	
15 Trim, Vent (a)	4A0 863 277 A 5WK		10.55	
(a) Order by Application				
16 Switch, Rear Heating				
1992-94	4A0 963 563 01C		99.95	
1995-97	4A0 963 563 B 01C		99.95	
1998				
A6				
Wagon	431 959 489 C		30.20	
17 Bracket, Console Player, CD	R/L 4A0 863 532-1		d2.65	
New	4A0 035 111		d595.00	
Remanufactured	4A0 035 111 X		R210.00	
Radio, Stereo Cassette Bose Sound System				
New	4A0 035 192 A	.6	d924.00	
Remanufactured	4A0 035 192 AX	.6	R200.00	
Blaupunkt System				
New	893 035 093 BV	.4	d140.00	
Remanufactured	4A0 035 093 X	.4	R200.00	
*Remanufactured Part. Contact Dealer for Core Charge & Exchange Information				

## CELLULAR PHONE

Illustration Located in Next Column