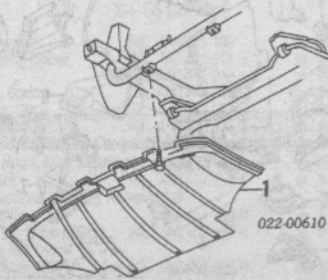


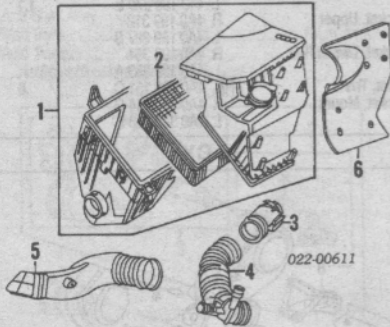
ENGINE COVER Cont'd



AWD			
1992-93	4A0 129 627 J	.2	77.65
To VIN P022306			
From VIN P022307	4A0 129 627 K	.2	52.70
1994-97	4A0 129 627 K	.2	52.70
1998			
A6			
Wagon	4A0 129 627 K	.2	52.70
5 Pan, Sound Damper	078 129 951 H	.2	136.00
6 Hose, Air	027 129 627 E	.2	43.30
7 Tube, Air	4A0 129 643 A	.2	58.30
8 Duct, Intake	4A0 129 617 G	.2	28.00

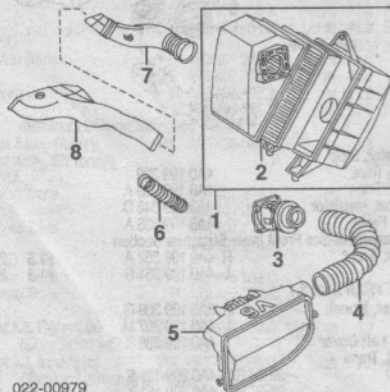
AIR CLEANER

5 CYL



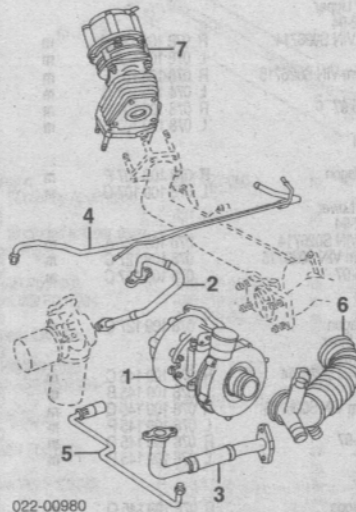
1 Cleaner Assy, Air	034 133 837 AS	.5	324.35
2 Element, Cleaner	191 129 620	.3	14.82
*Included w/Air Cleaner Assy			
3 Meter, Air Volume	034 133 471 K	m .8	702.00
4 Hose, Turbo	034 133 357 S	.2	124.00
5 Tube, Air	4A0 129 643 C		22.95
6 Shield, Heat	034 133 832 L		47.05

6 CYL



1 Cleaner Assy, Air			
FWD			
1992-94	4A0 133 837 D	.5	168.80
1995-97			
w/Calif Emission	4A0 133 837 E	.5	168.80
w/o Calif Emission	4A0 133 837 D	.5	168.80
AWD			
1992-95	4A0 133 837 D	.5	168.80
1996-97			
w/Calif Emission	4A0 133 837 E	.5	168.80
w/o Calif Emission	4A0 133 837 D	.5	168.80
1998			
A6			
Wagon			
w/Calif Emission	4A0 133 837 E	.5	168.80
w/o Calif Emission	4A0 133 837 D	.5	168.80
2 Element, Cleaner	191 129 620	.3	14.82
*Included w/Air Cleaner Assy			
3 Meter, Air Volume			
FWD			
AWD	078 133 471 A	m .8	511.00
1992-93			
To VIN P022306	054 133 471 A	m .8	695.00
From VIN P022307	078 133 471 A	m .8	511.00
1994-98	078 133 471 A	m .8	511.00
4 Hose, Intake			
FWD			
92	4A0 129 627 J	.2	77.65
93-97	4A0 129 627 K	.2	52.70

TURBOCHARGER

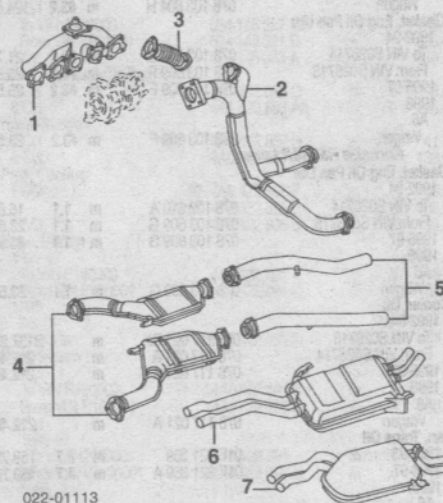


1 Turbocharger	034 145 702	m 2.8	1505.00
2 Pipe, Oil Upper	034 145 771 B	m .7	120.25
3 Pipe, Oil Lower	034 145 735 D	m 1.1	199.15
4 Pipe, Water Return	034 121 492	m	168.95
5 Pipe, Water Feed	034 121 497 A	m	179.67
6 Hose, Turbo-See Air Cleaner Section			
7 Wastegate	034 145 705 B	m	969.01

EXHAUST

5 CYL

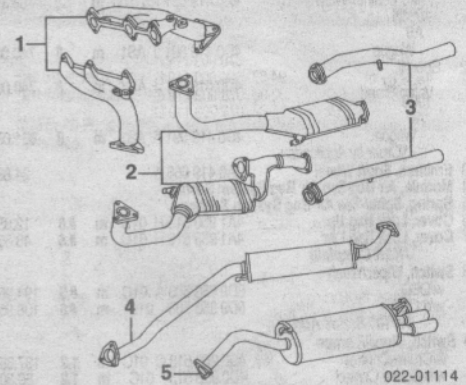
R&R Exhaust System Complete #2.5
#Does Not Include R&R Exhaust Manifold



1 Manifold, Exhaust	034 129 587 M	m 3.6	800.00
2 Pipe, Front	4A0 253 101 BS	1.8	742.00
3 Pipe, Flex	857 253 817		181.20
4 Converter, Catalytic	R 4A0 131 089 KX	1.6	R940.67
	L 4A0 131 089 JX	1.6	R940.67
5 Pipe, Intermediate	R 4A0 253 302 E	.8	157.80
	L 4A0 253 301 E	.8	157.80
6 Muffler, Front	4A0 253 409 E	1.1	589.00
7 Muffler, Rear	4A0 253 609 AG	.9	531.01

6 CYL

R&R Exhaust System Complete #2.8
#Does Not Include R&R Exhaust Manifold



1 Manifold, Exhaust			
1992-94			
w/Calif Emission	R 078 253 032 AB	m 3.5	205.05
	L 078 253 031 AC	m 5.0	205.05
w/o Calif Emission	R 078 253 032 AC	m 3.5	205.05
	L 078 253 031 AC	m 5.0	205.05
1995-97			
w/Calif Emission	R 078 253 032 AA	m 3.5	472.36
	L 078 253 031 AA	m 5.0	472.36
w/o Calif Emission	R 078 253 032 AJ	m 3.5	205.05
	L 078 253 032 AC	m 5.0	205.05
1998			
A6			
Wagon			
w/Calif Emission	R 078 253 032 AA	m 3.5	472.36
	L 078 253 031 AA	m 5.0	472.36
w/o Calif Emission	R 078 253 032 AJ	m 3.5	205.05
	L 078 253 031 AC	m 5.0	205.05

2 Pipe/Converter, Front			
1992-94			
	R 4A0 253 058 BX	.6	R905.00
	L 4A0 253 057 BX	.6	R905.00
1995			
	R 4A0 253 058 EX	.6	R905.00
	L 4A0 253 057 EX	.6	R1053.00
1996-97			
	R 4A0 253 058 LX	.6	R1053.00
	L 4A0 253 011 AX	.8	R1053.00

1998			
A6			
Wagon			
	R 4A0 253 058 LX	.6	R1053.00
	L 4A0 253 058 AX	.6	R905.00

3 Pipe, Intermediate			
FWD			
92	4A0 253 302 D	.8	157.80
	L 4A0 253 301 C	.8	157.80
93	4A0 253 302 D	.8	157.80
	L 4A0 253 301 G	.8	157.80
94-97	4A0 253 302 L	.8	157.80
	L 4A0 253 301 G	.8	157.80

4 Muffler, Front			
1992-97			
FWD			
Man Trans	4A0 253 409 F	1.1	278.05
Auto Trans	4A0 253 409 B	1.1	363.55
AWD	4A0 253 409 L	1.1	720.00

1998			
A6			
Wagon	4A0 253 409 L	1.1	720.00

5 Muffler, Rear			
1992-94			
FWD	4A0 253 609 R	.9	258.45
AWD	4A0 253 609 BJ	.9	347.75
1995-96			
FWD	4A0 253 609 BD	.9	378.05
AWD	4A0 253 609 BJ	.9	347.75
1997			
FWD	4A0 253 609 BD	.9	378.05
AWD	4A0 253 609 BJ	.9	347.75
1998			
A6			
Wagon	4A0 253 609 BJ	.9	347.75

EMISSION SYSTEM

Canister, Vapor			
5 Cyl	4A0 201 801	m .3	169.15
6 Cyl			
To 8-94	4A0 201 801	m .3	169.15
From 8-94	4A0 201 801 A	m .3	185.35
Valve, EGR			
6 Cyl			
FWD	078 131 503	m .6	297.25
AWD			
To VIN P022306	054 131 503 A	m .6	334.30
From VIN P022307	078 131 503	m .6	297.25
Valve, Check	078 133 517 F	m	43.55
Valve, Electro	054 906 267 A	m	128.85
Valve, Change Over	026 906 283 H	m	141.35

ELECTRICAL

ALTERNATOR

Alternator			
Bosch Brand			
110 Amp	034 903 017 BX	m 1.8	R503.01
120 Amp	078 903 015 FX	m 1.8	R551.15
Valeo Brand	078 903 015 D	m 1.8	0.00