

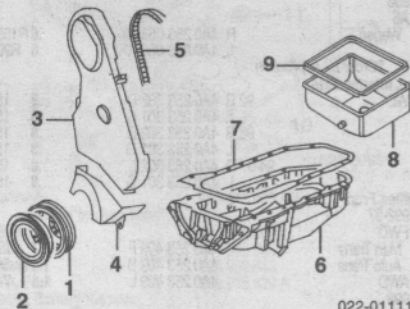
w/Leather Wrap w/o Leather Wrap 1998]	4D0 419 091 J AS1	m	.8	740.00
A6	4A0 419 091 AS 01C	m	.8	488.30
Wagon	4D0 419 091 J AS1	m	.8	740.00
2 Sport]	4D0 419 091 J AS1	m	.8	740.00
1992-97				
1998				
A6				
Wagon	4D0 419 091 A AS1	m	.8	851.00
<i>#Order by Application</i>				
3 Emblem, Sport Wheel	4A0 419 685 A			24.85
4 Module, Air Bag-See Air Bag System Section				
5 Spring, Spiral-See Air Bag System Section				
6 Cover, Lock Hsg Up	4A1 953 515 H 01C	m	#.6	12.85
7 Cover, Lock Hsg Lwr	4A1 953 516 H 01C	m	#.6	48.35
<i>#R&R Complete</i>				
8 Switch, Wiper/Wash w/OBD w/o OBD	8D9 953 503 A 01C	m	#.6	194.95
	8D9 953 503 01C	m	#.6	108.95
<i>#w/100 Series Add .2</i>				
9 Switch, Signal/Lamps w/Cruise Control w/o Cruise Control	4D0 953 513 C 01C	m	1.2	137.35
	4D0 953 513 01C	m	1.2	80.30
Housing Assy, Lock	4A0 905 851 J	m	1.2	49.95
Switch, Ignition]	4A0 905 849 B	m	1.8	30.05
<i>#Included w/Lock Housing Assy</i>				
Cylinder, Lock w/Key w/o Key]	4A1 905 855 C	m	#1.9	117.50
	107 905 855 BA	m	#1.9	128.65
<i>#Order by Key Code</i>				
<i>#Includes R&R Ignition Switch</i>				
10 Column Assy	4A1 419 505 K	m	2.7	827.00
11 Sleeve]	4A0 419 913 B	m		3.70
12 Cable, Bowden]	4A0 419 359 A	m		83.85
<i>#Included w/Column Assy</i>				
13 Lever, Height Adjust	4A0 419 379 B 01C	m		7.50
14 Lever, Tilt Adjust	4A0 419 377	m		6.75
15 Cover, Lower	4A1 419 597	m		6.05
16 Bracket, Column	4A1 419 397	m		9.50

ENGINE/TRANS

Use Procedure Explanation 12 with the following text.

5 CYL-INLINE

R&I Engine Assym 9.6

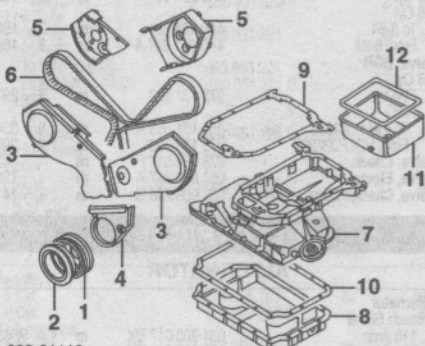


022-01111

1 Pulley, Crankshaft	054 105 255 A	m	1.0	78.75
2 Damper, Vibration	054 105 251 H	m	.5	412.20
3 Cover, Upper Timing	054 109 123 B	m	#.6	29.85
4 Cover, Lower Timing	054 109 127 A	m	#.6	15.50
<i>#R&R Complete 1.0</i>				
5 Belt, Timing (Toothed)	054 109 119 H	m	1.8	85.55
6 Pan, Eng Oil	054 103 599 G	m	#2.2	257.30
7 Gasket, Eng Oil Pan	074 103 609 F	m	#2.2	42.45
<i>#R&R Complete</i>				
8 Pan, Trans Oil	92-93 01F 321 359	m	#.7	159.70
	94-97 01F 321 359 A	m	#.7	159.70
9 Gasket, Trans Oil Pan	01F 321 371	m	#.7	25.70
<i>#R&R Complete</i>				

6 CYL

R&I Engine Assym 8.3



022-01112

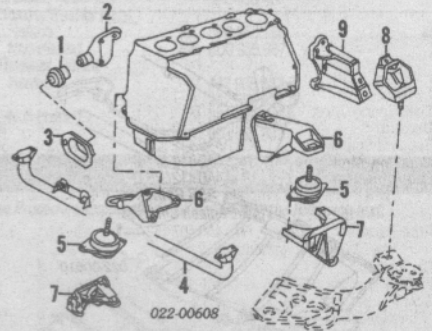
1 Pulley, Crankshaft	1992-94			
To VIN S026714	078 105 255 D	m	.8	52.70
From VIN S026715-Serviced w/Vibration Damper				
1995-97-Serviced w/Vibration Damper				
1998				
A6				
Wagon-Serviced w/Vibration Damper				
2 Damper, Vibration	1992-94			
To VIN S026714	078 105 251 F	m	.8	305.25
From VIN S026715	078 105 251 Q	m	.8	305.25
1995-97	078 105 251 Q	m	.8	305.25
1998				
A6				
Wagon	078 105 251 Q	m	.8	305.25
3 Cover, Timing	1992-94			
Outer Upper	R 078 109 123 H	m		29.85
To VIN S026714	L 078 109 123 E	m		29.85
	R 078 109 107 F	m		20.60
	L 078 109 107 G	m		20.60
	R 078 109 107 F	m		20.60
	L 078 109 107 G	m		20.60
1995-97	R 078 109 107 G	m		20.60
	L 078 109 107 G	m		20.60
1998				
A6				
Wagon	R 078 109 107 F	m		20.60
	L 078 109 107 G	m		20.60
4 Outer Lower	1992-94			
To VIN S026714	078 109 127 A	m		20.65
From VIN S026715	078 109 127 C	m		19.20
1995-97	078 109 127 C	m		19.20
1998				
A6				
Wagon	078 109 127 C	m		19.20
5 Upper Inner	1992-94			
To VIN S026714	R 078 109 145 C	m		26.25
	L 078 109 145 B	m		26.25
	R 078 109 145 Q	m		24.50
	L 078 109 145 P	m		24.50
	R 078 109 145 Q	m		24.50
	L 078 109 145 P	m		24.50
1995-97				
1998				
A6				
Wagon	R 078 109 145 Q	m		24.50
	L 078 109 145 P	m		24.50
	078 109 119 D	m	2.5	72.50
6 Belt, Timing				
7 Pan, Eng Oil Upper	1992-94			
To VIN S026714	078 103 603 D	m	#3.2	342.45
From VIN S026715	078 103 603 M	m	#3.2	418.75
1995-97	078 103 603 M	m	#3.2	418.75
1998				
A6				
Wagon	078 103 603 M	m	#3.2	418.75
8 Pan, Eng Oil Lower	1992-94			
To VIN S026714	078 103 604 B	m	#3.2	102.60
From VIN S026715	078 103 604 F	m	#3.2	102.60
1995-97	078 103 604 H	m	#3.2	124.60
1998				
A6				
Wagon	078 103 604 H	m	#3.2	124.60
9 Gasket, Eng Oil Pan Up	1992-94			
To VIN S026714	078 103 609 E	m	#3.2	21.75
From VIN S026715	078 103 609 F	m	#3.2	23.55
1995-97	078 103 609 F	m	#3.2	23.55
1998				
A6				
Wagon	078 103 609 F	m	#3.2	23.55
<i>#Includes R&R Lower</i>				
10 Gasket, Eng Oil Pan Lwr	1992-94			
To VIN S026714	078 103 610 A	m	1.1	16.80
From VIN S026715	078 103 609 G	m	1.1	23.55
1995-97	078 103 609 G	m	1.1	23.55
1998				
A6				
Wagon	078 103 609 G	m	1.1	23.55
Cooler, Oil	1992-94			
To VIN S026713	068 117 021 BX	m		R137.37
From VIN S026714	078 117 021 A	m		212.40
1995-97	078 117 021 A	m		212.40
1998				
A6				
Wagon	078 117 021 A	m		212.40
11 Pan, Trans Oil	1992-93			
	01F 321 359	m	#.7	159.70
1994-97	01F 321 359 A	m	#.7	159.70
1998				
A6				
Wagon	01F 321 359 A	m	#.7	159.70
12 Gasket, Trans Oil Pan	01F 321 371	m	#.7	25.70
<i>#R&R Complete</i>				

ENGINE/TRANS MOUNTS

5 CYL

Illustration Located in Next Column

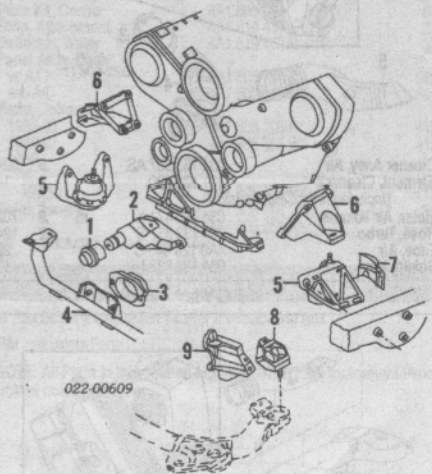
1 Insulator, Stop	8D0 199 339 P		1.1	7.20
-------------------	---------------	--	-----	------



022-00608

2 Bracket, Insulator	4A0 199 343		#.2	28.35
3 Stop, Front	4A0 199 335 A		#.2	15.15
<i>#Mount Removed</i>				
4 Crossmember-See Front Inner Structure Section				
5 Mount, Front	R 443 199 379 D		1.1	187.80
	L 443 199 379 E		1.1	187.80
6 Bracket, Upper	R 4A0 199 312			62.05
	L 4A0 199 307 B			48.75
7 Bracket, Lwr to Rail	R 4A0 199 354			55.50
	L 4A0 199 353 A			55.50
8 Mount, Trans	RL 4A0 399 151 C		.6	80.90
9 Bracket, Mount	R 4A0 399 114 G			50.30
	L 4A0 399 113 F			50.30

6 CYL



022-00609

1 Insulator, Stop	Man Trans	4A0 199 339		9.75
	Auto Trans	4A0 199 339 A		9.75
2 Bracket, Insulator		4A0 199 343 D		28.35
3 Stop, Front		4A0 199 335 A		15.15
4 Crossmember-See Front Inner Structure Section				
5 Mount, Front	R 4A0 199 352 A		#1.5	253.85
	L 4A0 199 351 B		#1.8	253.85
<i>#R&R Both 3.1</i>				
6 Bracket, Mount		R 8A0 199 308 G		38.60
		L 4A0 199 307 M		38.00
7 Plate, Left Cover		4A0 199 388 B		2.30
8 Mount, Trans				
	FWD	92-94 RL 4A0 399 151 E		.6 77.75
		95-97 RL 4A0 399 151 K		.6 80.90
	AWD			
	Man Trans	RL 4A0 399 151 B		.6 80.90
	Auto Trans	RL 4A0 399 151 C		.6 80.90
9 Bracket, Mount				
	FWD			
	Man Trans	R 4A0 399 114 K		68.05
		L 4A0 399 113 G		132.50
	Auto Trans	92 R 4A0 399 114 C		50.30
		L 4A0 399 113 C		50.30
		93-97 R 4A0 399 114 D		50.30
		L 4A0 399 113 D		50.30
	AWD			
	Man Trans	R 4A0 399 114 F		132.50
		L 4A0 399 113 E		50.30
	Auto Trans	R 4A0 399 114 D		50.30
		L 4A0 399 113 D		50.30

ENGINE COVER

Illustration Located in Next Column

1 Cover, Under Engine	To VIN S100000	4A0 863 821 F		.3 167.10
	From VIN S100001	4A0 863 821 AG		.3 167.10