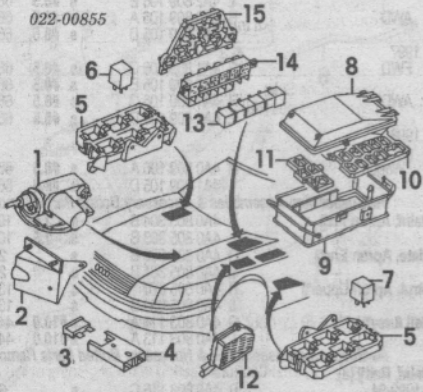


FRONT INNER STRUCTURE Cont'd

ELECTRICAL COMPONENTS Cont'd

022-00855



7 Relay, Electric Window	8A0 951 253 A	m	54.70
*Order by Application			
8 Cover, Relay Box	4A0 941 801		27.10
9 Box, Relay	4A0 941 803		15.15
10 Plate, Relay (13 Point)	4A0 937 503 A		14.00
11 Plate, Relay (4 Point)	4A0 937 503 B		14.00
12 Holder, Fuse	4A1 941 824		32.55
13 Relay, Horn	141 951 253 B		4.00
*Order Additional Relays by Application			
14 Box, Fuse/Relay	4A0 941 822		184.85
15 Bracket, Fuse Box	4A0 937 545		14.50
*Order by Application			

AIR BAG SYSTEM

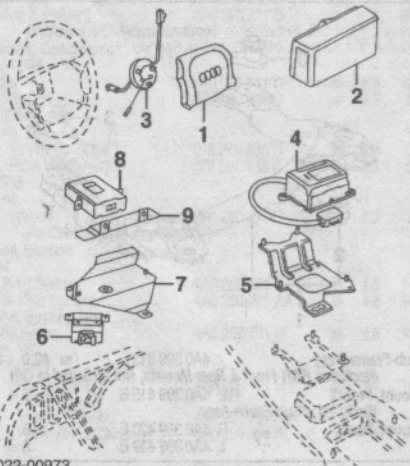
NOTE 1: R&R Does Not include disable and enable or diagnose Air Bag System.

NOTE 2: Refer to Procedural Explanation 30 for Supplemental Restraint/Air Bag System Component Inspection and Replacement Information.

NOTE 3: For Air Bag System Service procedures, refer to Manufacturer's Service Repair Manual or Mitchell's Air Bag Service and Repair Manual.

100 SERIES, S4

Disable & Enable Air Bag System	m	.3
Diagnose Air Bag System (if Required)	m	#.5
*Includes Disconnect & Connect Scan Tool & Retrieve/Clear Trouble Codes		

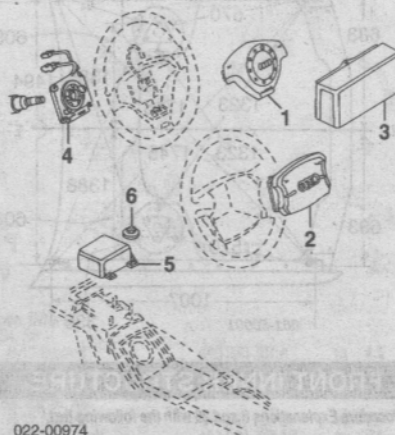


022-00973

1 Module, Driver Side Air Bag	4A0 880 201 01C	m	.5	782.00
2 Module, Pass Side Air Bag	441 880 203	m	3.0	2099.99
3 Spring, Spiral	4A1 951 543	m		329.90
4 Control Unit				
Single Air Bag	443 959 655 E	m	#1.5	945.00
Dual Air Bags	4A0 959 655	m	#1.5	1221.62
5 Bracket, Control	92 4A0 959 677 C	m	#1.5	28.65
	93-94 4A0 959 677 E	m	#1.5	20.10
*R&R Complete				
6 Module, Energy Reserve	92 443 959 659	m	#.5	140.10
7 Bracket, Accumulator	92 4A0 907 369 A	m	#.5	30.95
8 Transformer, Voltage	92 443 959 663 B	m	#.5	307.17
9 Bracket, Transformer	92 4A0 959 683	m	#.5	9.40
*R&R Complete				

A6, S6

Disable & Enable Air Bag System	m	.3
Diagnose Air Bag System (if Required)	m	#.5
*Includes Disconnect & Connect Scan Tool & Retrieve/Clear Trouble Codes		



022-00974

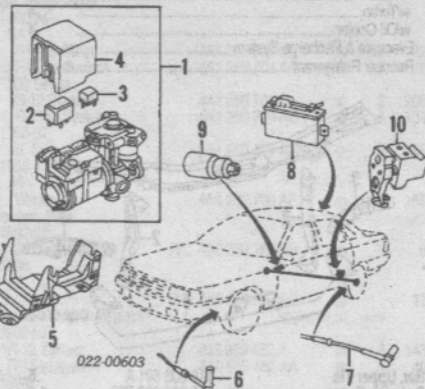
Module, Driver Side Air Bag				
1 w/Sport Strg Wheel	4A0 880 201 L 01C	m	.5	782.00
w/o Sport Strg Wheel	4A0 880 201 N 01C	m	.5	782.00
2 Module, Passenger Side Air Bag	4A0 880 203 B	m	3.0	886.00
4 Spring, Spiral	4D0 951 543 D	m	1.0	205.10
5 Control Unit	95 4D0 959 655 A	m	.5	427.81
	96-97 8A0 959 655 D	m	.5	594.00
	N 011 183 12	m		.82
6 Nut, Lock (3)				

ABS/BRAKES

1992-95

Bleed System	m	.4
--------------	---	----

NOTE: R&R Does Not include bleed brake system.



022-00603

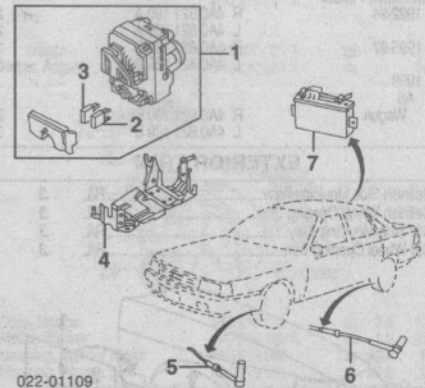
1 Pump Assy, ABS				
FWD	4A0 614 111 F	m	.8	1542.93
AWD	4A0 614 111 E	m	.8	1484.89
2 Relay, Pump	4A0 927 841	m	.3	51.25
3 Relay, Contact	4A0 927 843 A	m	.3	62.05
4 Cover, Pump	4A0 614 112	m		10.85
*Included w/ABS Pump Assy				
5 Brkt, ABS Pump-See Front Inner Structure Section				
6 Sensor, Front				
100 Series, A6, S6	R/L 4A0 927 803	m	#.5	162.25
S4	R/L 4A0 927 803 A	m	#.5	162.25
Brkt, Front Sensor	R 443 971 846	m	#.5	5.75
	L 443 971 845 C	m	#.5	5.20
*R&R One Side Complete, R&R Both Sides .8				
7 Sensor, Rear				
100 Series, S4				
FWD	92-94 R/L 4A0 927 807	m	#.7	162.25
AWD	92-94 R/L 4A0 927 807 C	m	#.7	162.25
A6	95 R/L 4A0 927 807	m	#.7	162.25
S6	95 R/L 4A0 927 807 E	m	#.7	162.25
Brkt, Rear Sensor				
FWD	R/L 811 971 848 E	m	#.7	1.10
AWD	R 443 971 846	m	#.7	5.75
	L 443 971 845 C	m	#.7	5.20
*R&R One Side Complete, R&R Both Sides 1.0				
8 Control Unit, ABS				
100 Series, S4				
FWD	4A0 907 379 C	m	.5	865.00
AWD				
Man Trans	92-94 857 907 379 D	m	.5	732.00
Auto Trans	92-94 441 907 379	m	.5	732.00
A6, S6				
FWD	95 4A0 907 379 A	m	.5	865.00

AWD	95 4A0 907 379 E	m	.5	346.44
9 Regulator, Pressure	443 614 151 K	m	.5	133.25
AWD				
10 Regulator, Pressure				
FWD	443 614 151 B	m		647.00
w/SLS	443 614 151 H	m		341.80
w/o SLS	443 614 151 J	m		298.70

1996-98

Bleed System	m	.4
--------------	---	----

NOTE: R&R Does Not include bleed brake system.



022-01109

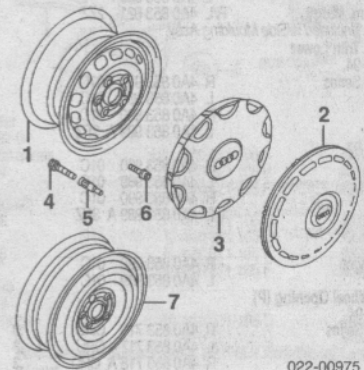
1 Pump Assy, ABS				
FWD	8D0 614 111 A	m	.8	1363.00
AWD	4D0 614 111 B	m	.8	1591.00
Relay				
2 4 Pin	4A0 927 841	m	.3	51.25
3 6 Pin	4D0 927 843	m	.3	41.65
*Included w/ABS Pump Assy				
4 Bracket, ABS Pump	4A0 614 119 H	m		15.45
5 Sensor, Front	R/L 4A0 927 803	m	#.5	162.25
*R&R One Side, R&R Both Sides Deduct .2				
6 Sensor, Rear				
FWD	R/L 4A0 927 807	m	#.7	162.25
AWD	R/L 4A0 927 807 E	m	#.7	162.25
*R&R One Side, R&R Both Sides Deduct .4				
7 Control Unit, ABS				
FWD	4D0 907 379 G	m	.5	782.00
AWD	96 4D0 907 379 J	m	.5	782.00
	97-98 4D0 907 379 L	m	.5	782.00

WHEEL

Use Procedure Explanation 10 with the following text.

STEEL WHEEL

Refinish Wheel	.5
Add to R&I Spare Wheel & Tire Assy	.2



022-00975

1 Wheel, Steel				
15x6"	4B0 601 027 03C			78.75
15x7"	4A0 601 025 K Y7N		.3	194.15
Cover, Wheel				
2 1992-94	4A0 601 147 B Z17			61.65
3 1995-96				41.10
4 Stem, Valve	281 601 361			1.10
5 Extension, Valve	3B0 601 373 A			2.30
6 Bolt, Lug	8D0 601 139 D			3.00
7 Wheel, Spare	447 601 025 S 03C			86.40

ALLOY WHEEL

Add to R&I Spare Wheel & Tire Assy	.2
------------------------------------	----