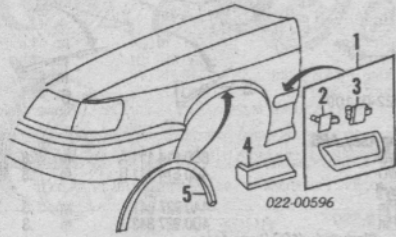


1995-97 A6	L 4A0 821 171 C	.6	41.00
S6	R 4A0 821 172 D	.6	49.95
	L 4A0 821 171 D	.6	49.95
1998 A6 Wagon	R 4A0 821 172 C	.6	51.40
	L 4A0 821 171 C	.6	41.00
6 Clip, Skirt (2/Side)	R/L 4A0 805 163		1.20
7 Pin (2/Side)	R/L 4A0 805 121 A		2.80
8 Clip, Skirt	R/L 443 821 699		.52
9 Nut, Rear (14)	811 807 577 C		.73
10 Grommet, Fender			
1992-94	R 4A0 821 190 A	2.70	
	L 4A0 821 189 A	2.70	
1995-97	R 4A0 821 190 B	3.20	
	L 4A0 821 189 B	3.20	
1998 A6 Wagon	R 4A0 821 190 B	3.20	
	L 4A0 821 189 B	3.20	

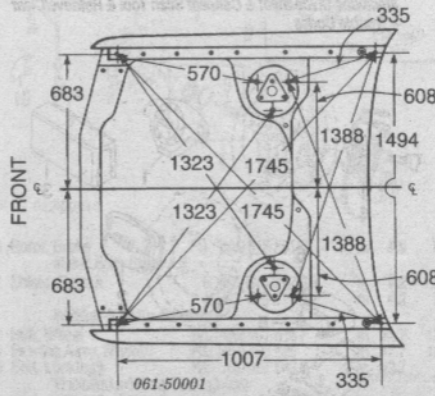
**EXTERIOR TRIM**

Refinish Side Moulding Assy	R/L	.3
Refinish Wheel Opening Trim	R/L	.3
R&I Side Moulding Assy	R/L	.3
R&I Wheel Opening Trim	R/L	.3



<b>1 Moulding Assy, Side</b>			
1992-94	R 4A0 853 972 3FZ	.3	49.00
	L 4A0 853 971 3FZ	.3	49.00
1995-97 A6	R 4A0 853 972 D GRU	.3	19.75
	L 4A0 853 971 D GRU	.3	19.75
S6 (P)	R 4A0 853 972 D GRU	.3	19.75
	L 4A0 853 971 D GRU	.3	19.75
1998 A6 Wagon	R 4A0 853 972 D GRU	.3	19.75
	L 4A0 853 971 D GRU	.3	19.75
<i>(P) Paint to Match</i>			
<b>2 Clip, Front</b>	92-94 R/L 4A0 853 825 E		2.45
<b>3 Clip, Rear</b>			
1992-94	R/L 4A0 853 825 D	1.20	
1995-97	R 4A0 853 826 F	2.55	
	L 4A0 853 825 F	1.50	
1998 A6 Wagon	R 4A0 853 826 F	2.55	
	L 4A0 853 825 F	1.50	
<b>Emblem, Midg</b>	R/L 4A0 853 621 2ZZ		14.10
<i>Includes w/Side Moulding Assy</i>			
<b>4 Cover, Trim Lower</b>			
1992-94 100 Series	R 4A0 853 990 01C	18.80	
	L 4A0 853 989 01C	18.80	
S4	R 4A0 853 990 01C	18.80	
	L 4A0 853 989 A 3FZ	35.25	
1995-97 A6	R 4A0 853 990 01C	18.80	
	L 4A0 853 989 01C	18.80	
S6	R 4A0 853 990 01C	18.80	
	L 4A0 853 989 A 3FZ	35.25	
1998 A6 Wagon	R 4A0 853 990 01C	18.80	
	L 4A0 853 989 01C	18.80	
<b>5 Trim, Wheel Opening (P)</b>			
1992-94 100 Series	R 4A0 853 718 GRU	.3	113.10
	L 4A0 853 717 GRU	.3	113.10
S4	R 4A0 853 718 A GRU	.3	149.60
	L 4A0 853 717 A GRU	.3	d56.80
1995 To 9-94	R 4A0 853 718 A GRU	.3	149.60
	L 4A0 853 717 A GRU	.3	d56.80
From 10-94	R 4A0 853 718 C GRU	.3	136.80
	L 4A0 853 717 C GRU	.3	136.80
1996-97	R 4A0 853 718 C GRU	.3	136.80
	L 4A0 853 717 C GRU	.3	136.80
1998 A6 Wagon	R 4A0 853 718 C GRU	.3	136.80
	L 4A0 853 717 C GRU	.3	136.80
<i>(P) Paint to Match</i>			

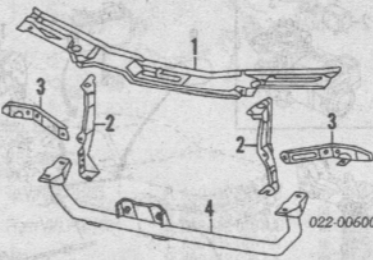
**UNDERHOOD DIMENSIONS**



**FRONT INNER STRUCTURE**

Use Procedure Explanations 8 and 28 with the following text.

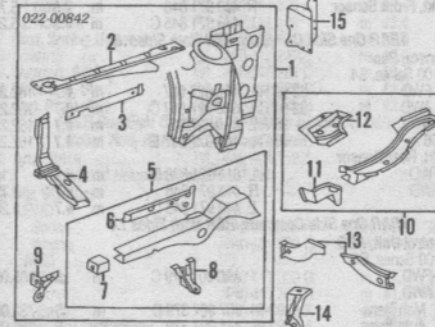
<b>FRONT</b>		
Refinish Radiator Support Assy	1.5	
Refinish Upper Tie Bar	.5	
Refinish Outer Support	R/L .5	
R&R Front Support Complete	#4.5	
<i>Includes R&amp;R Upper Tie Bar, Outer Supports, H/Lamp Supports, Lower Crossmember, R&amp;I H/Lamp Assemblies, R&amp;I/R&amp;R Washer Reservoir, Tie Bar Seal, Engine Under Cover, Air Cleaner &amp; Duct, Disconnect &amp; Connect Release Cable &amp; Wiring as Necessary</i>		
Add to R&R Front Support Complete		
To R&R Base Model Mechanical Components	m #1.0	
<i>Includes R&amp;R A/C Condenser &amp; Receiver/Drier</i>		
To Air Lamps	.4	
w/5 Cyl	.2	
w/Auto Trans	.2	
w/Turbo	.4	
w/Oil Cooler	.4	
Evacuate & Recharge System	m 1.4	
Recover Refrigerant	m .3	



<b>1 Bar, Upper Tie</b>	4A0 805 591 A	.6	93.15
<b>2 Support, Outer</b>	R/L 4A0 805 800-799	#.8	59.15
<b>3 Support, Headlamp</b>	R 4A0 805 606 B	#.8	37.30
	L 4A0 805 606 B	#.8	37.30
<i>#w/Necessary Bolted Parts Removed</i>			
<b>4 Crossmember, Lower</b>	4A0 199 519 F	s	154.05

**SIDE**

Refinish Apron Assy w/Sidemember	R/L	1.5
Refinish Apron Assy	R/L	1.0
Refinish Sidemember Assy	R/L	1.0



<b>1 Apron Assy</b>	1992-95	
---------------------	---------	--

To VIN S075000	R 4A1 809 106 D	s #8.5	668.00
	L 4A1 809 105 D	s #8.5	668.00
From VIN S075001	R 4A1 809 106 G	s #8.5	689.00
	L 4A1 809 105 D	s #8.5	668.00
1996 FWD	R 4A1 809 106 G	s #8.5	689.00
	L 4A2 809 105 E	s #8.5	668.00
AWD	R 4A0 809 106 A	s #8.5	668.00
	L 4A1 809 105 D	s #8.5	668.00
1997 FWD	R 4A1 809 106 G	s #8.5	689.00
	L 4A2 809 105 E	s #8.5	668.00
AWD	R 4A1 809 106 G	s #8.5	689.00
	L 4A1 809 105 D	s #8.5	668.00
1998 A6 Wagon	R 4A0 809 106 A	s #8.5	668.00
	L 4A1 809 105 D	s #8.5	668.00

*#w/Suspension Assemblies & Necessary Bolted Parts Removed*

<b>2 Reinf, Apron Frt</b>	R 4A0 805 304 B	s 2.5	106.40
	L 4A0 805 303 B	s 2.5	106.40
<b>3 Plate, Apron End</b>	R 4A0 805 362 B	s	25.60
	L 4A0 805 361 B	s	25.60
<b>4 Strut, Apron Upper</b>	R 4A0 805 870	s	132.45
	L 4A0 805 869 B	s	132.45
<b>5 Rail Assy</b>	R 4A0 803 114 A	s #10.0	445.45
	L 4A0 803 113 A	s #10.0	445.45

*#w/Suspension Assemblies & Necessary Bolted Parts Removed*

<b>Reinf, Rail (a)</b>			
1992-94	R 4A0 803 116 C	s	64.65
	L 4A0 803 115 C	s	64.65
1995-97	R 4A0 803 116 C	s	64.65
	L 4A0 803 115 C	s	64.65
1998 A6 Wagon	R 4A0 803 116 C	s	64.65
	L 4A0 803 115 C	s	64.65

<b>6 Plate, Cover (a)</b>	R 4A0 803 158 A	s	40.90
	L 4A0 803 157 J	s	39.75
<b>7 Mount, Absorber (a)</b>	R/L 4A0 805 677 C	s	31.30
<b>8 Bracket (a)</b>	R 4A3 803 112	s	20.05

*(a) Included w/Rail Assy*

<b>9 Hook, Towing</b>	R 4A0 803 071 C	1.0	34.55
<i>Includes w/Apron Assy</i>			
<b>10 Rail Assy, Rear</b>	R 4A0 803 104 C	s #6.0	428.85
	L 4A0 803 103 D	s #6.0	428.85

*#w/Necessary Bolted Parts Removed*

<b>11 Rail, Center (a)</b>	R 4A0 803 208	s	247.30
	L 4A0 803 207 B	s	247.30
<b>12 Plate, Mounting (a)</b>	R/L 4A0 803 614-3	s	98.90

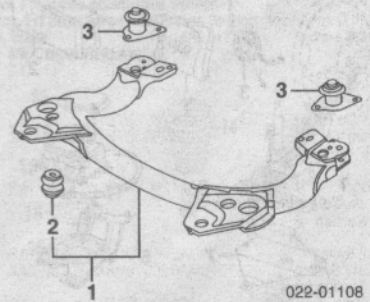
*(a) Included w/Rear Rail Assy*

<b>13 Crossmember</b>	R/L 4A3 803 896-5	s 2.5	52.70
<b>14 Bracket, Towing Eye</b>	4A0 805 957	s	21.25
<b>15 Cover, Eng Comp</b>	R 4A0 863 188 D	s	13.25
	L 4A0 863 187 D	s	13.25

**Bracket, ABS Pump**

1992-95 FWD	4A0 614 119 C	31.35
AWD	4A0 614 119 D	31.35
1996-97	4A0 614 119 H	15.45
1998 A6 Wagon	4A0 614 119 H	15.45

**SUB-FRAME**



<b>1 Sub-Frame Assy</b>	4A0 399 313 L	m #3.0	641.00
<i>Includes R&amp;R Front &amp; Rear Mounts, Not Included in O/H</i>			
<b>2 Mount, Front</b>	R/L 4A0 399 415 B	.6	31.35
<i>Includes w/Sub-Frame Assy</i>			
<b>3 Mount, Rear</b>	R 4A0 399 420 E	.6	91.95
	L 4A0 399 419 E	.6	91.95

**ELECTRICAL COMPONENTS**

*Illustration Located in Next Column*

<b>1 Actuator, Cruise Control</b>	4B0 907 325	m .5	153.80
<b>2 Bracket, Actuator</b>	4A0 907 341	m	18.50
<b>3 Fuse, Electric Fan</b>	N 102 519 02		7.40
	N 102 519 01		7.40
<b>4 Holder, Fuse</b>	8A0 937 530		3.35
<b>5 Plate, Relay</b>	R 4A0 937 503	m	7.80
	L 4A0 937 503 C	m	13.60
<b>6 Switch, Thermo</b>	4A3 937 105	m	12.45