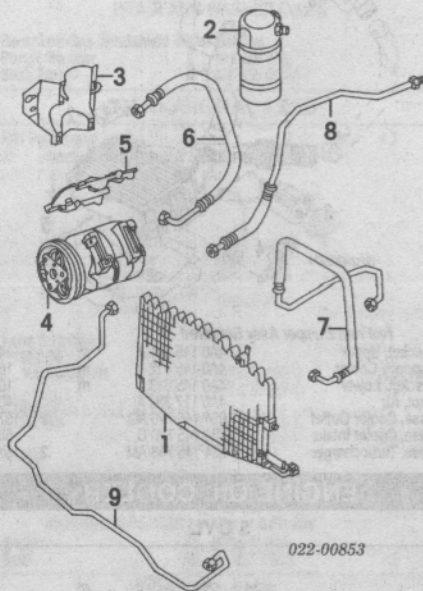
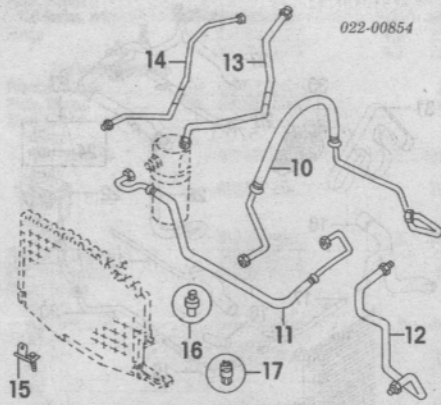


A/C /HEATER/VENTILATION Cont'd



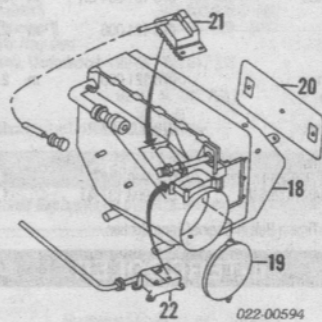
022-00853

1995-97 A6, S6 1998 A6 Wagon	4A0 820 191 AA	m	.5	216.30
<b>3 Bracket, Receiver/Drier</b> 1992-97 S4, S6 100 Series, A6 1998 A6 Wagon (Order by Application)	4A0 260 197 G 4A0 260 197 E 4A0 260 197 E	m m m	   	8.65 41.95 41.95
<b>4 Compressor Assy</b> 1992-94 S4 R-12 System R-134a System 100 Series R-12 System R-134a System 1995-97 A6, S6 1998 A6 Wagon Clutch & Pulley (Included w/Compressor Assy)	4A0 260 805 C 4A0 260 805 AH 4A0 260 805 D 4A0 260 805 AH 4B0 260 805 B 4B0 260 805 B 4A0 260 811 B	m m m m m m m	       	1291.00 1291.00  1291.00 954.00 954.00 365.45
<b>5 Bracket, Compressor</b> 1992-94 S4 100 Series 1995-97 A6, S6 To VIN T046054 From VIN T046055 1998 A6 Wagon #w/Compressor Removed	046 903 141 D 078 260 835 D 078 260 835 D 078 260 835 F 078 260 835 F	m m m m m	     	420.55 36.60 36.60 36.85 36.85
<b>6 Hose, Suction</b> S4 R-12 System R-134a System	4A0 260 701 E 4A0 260 701 AA	m m	  	144.30 144.30
<b>7 Hose, Suction (a)</b> 100 Series A6, S6 1995-97 R-12 System R-134a System To VIN T075000 From VIN T075001 1998 A6 Wagon	4A0 260 701 D 4A0 260 701 D 4A0 260 701 AD 4A0 260 701 AL 4A0 260 701 AL	m m m m m	     	144.30 144.30 144.30 144.30 144.30
<b>8 Hose, Discharge</b> S4 R-12 System R-134a System	4A1 260 710 D 4A1 260 710 AA	m m	  	144.30 154.70
<b>9 Hose, Discharge (a)</b> 100 Series A6, S6 1995-97 R-12 System R-134a System 1998 A6 Wagon (a) Order by Application	4A1 260 710 C 4A1 260 710 C 4A1 260 710 AC 4A1 260 710 AC	m m m m	    	144.30 144.30 138.75 138.75



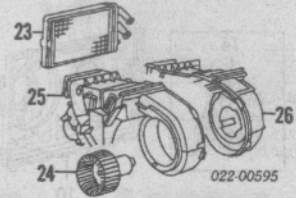
022-00854

<b>10 Hose, Drier (a)</b> S4, S6 R-12 System R-134a System	4A0 260 707 A 4A0 260 707 AA	m m	  	#.6 #.6	200.20 198.20
<b>11 Hose, Drier (a)</b> 100 Series, A6 R-12 System R-134a System A6 1995-97 1998 Wagon	4A1 260 707 D 4A1 260 707 AC 4A1 260 707 AC 4A0 260 707 AA	m m m m	    	#.6 #.6 #.6 #.6	206.15 198.20 198.20 198.20
<b>12 Pipe, Drier (a)</b> S4, S6 R-12 System R-134a System	4A1 260 741 4A1 260 741 AA	m m	  	.5 .5	132.95 192.50
<b>13 Pipe, Drier (a)</b> 100 Series R-12 System R-134a System A6 1995-97 1998 Wagon (a) Order by Application	4A1 260 740 C 4A1 260 740 AC 4A1 260 740 AC 4A1 260 740 AA	m m m m	    	.5 .5 .5 .5	192.50 192.50 192.50 324.55
<b>14 Pipe, Evaporator</b> 1992-94 S4 R-12 System R-134a System 100 Series R-12 System R-134a System 1995-97 A6, S6 1998 A6 Wagon	4A1 260 709 E 4A1 260 709 AA 4A1 260 709 C 4A1 260 709 AC 4A1 260 709 AG 4A1 260 709 AF	m m m m m m	     	.5 .5 .5 .5 .5 .5	132.95 228.70 206.15 134.65 155.90 155.90
<b>15 Bracket, Pipe</b> 1992-97 100 Series, A6 1998 A6 Wagon	R/L 4A0 260 759 AB R/L 4A0 260 759 AS 8A0 959 482 A 8A0 959 482 AA 8A0 959 482 AA	m m m m m	     	     	6.15 11.75 143.15 49.95 49.95
<b>16 Switch, Comp Safety (a)</b> 1992-97 R-12 System R-134a System 1998 A6 Wagon	893 959 482 A 8A0 959 482 AA 8A0 959 482 AA	m m m	   	.4 .4 .4	143.15 49.95 49.95
<b>17 Switch, Pressure (a)</b> 1992-97 R-12 System R-134a System 1998 A6 Wagon (a) Order by Application	443 959 482 B 8A0 959 482 AB 8A0 959 482 AB	m m m	   	.2 .2 .2	143.15 103.30 103.30
<b>18 Evaporator</b> 1992-94 100 Series, S4					



022-00594

R-12 System	4A1 260 122	m	1.8	847.00
R-134a System	4A1 260 122 AG	m	1.8	823.00
1995-97 A6, S6 w/Pollen Filter w/o Pollen Filter	4A1 260 122 AG 4A1 260 122 AC	m m	  	823.00 823.00
1998 A6 Wagon w/Pollen Filter w/o Pollen Filter (Order by Application)	4A1 260 122 AG 4A1 260 122 AC	m m	  	823.00 823.00
<b>19 Flap, Evaporator</b>	4A0 260 203	m		65.30
<b>20 Flap, Rear</b>	R/L 4A0 260 205	m		33.90
<b>21 Control, Blower</b> 1992-97 1998 A6 Wagon	4D0 820 521 A 4D0 820 521 A	m m	  	247.10 247.10
<b>22 Motor, Adjust</b>	4A0 820 511 A	m		140.40



022-00595

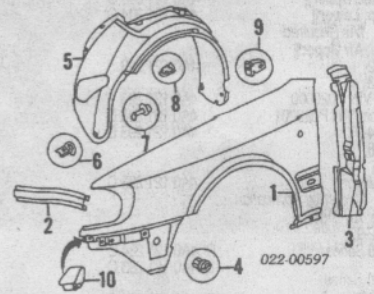
<b>23 Core, Heater</b>	443 819 030	m	3.6	127.65
<b>24 Motor, Blower</b>	4A0 959 101 A	m	1.0	237.15
<b>25 Housing, Blower Right</b>	4A0 819 096	m	#3.6	95.20
<b>26 Housing, Blower Left</b>	4A0 819 095	m	#3.6	95.20
#R&R Complete, Includes R&R Heater Core & Blower Motor				

FRONT FENDER

Use Procedure Explanations 7 and 28 with the following text.

SHEET METAL

Refinish Fender Outside	R/L	2.4
Add to Edge	R/L	.5
R&I Fender Assy	R/L	#3.1
#Includes R&I Bumper Assy, R&I/R&R Park/Signal Lamp Assy & Liner		
Add to R&R Fender To Drill Holes for Installation		
One Moulding	R/L	.3
Each Additional Moulding	R/L	.2



022-00597

<b>1 Fender</b> 1992-94 100 Series S4 A6 S6 1998 A6 Wagon	R/L 4A0 821 106-5 R 4A0 821 106 B L 4A0 821 106 F R 4A0 821 106 D L 4A0 821 105 D R 4A0 821 106 F L 4A0 821 105 F R 4A0 821 106 D L 4A0 821 105 D	m m m m m m m m m m	         	255.05 414.10 371.30 371.30 371.30 371.30 371.30 371.30 371.30 371.30
#Includes R&I Bumper Assy, R&I/R&R Park/Signal Lamp Assy & Liner				
<b>2 Brace, Front</b> 1992-94 100 Series, S4 1995-97 A6, S6 1998 A6 Wagon	R/L 4A0 821 138-7 R 4A0 821 138 A L 4A0 821 137 A R 4A0 821 138 A L 4A0 821 137 A	m m m m m	     	15.75 27.95 27.95 27.95 27.95
<b>3 Plate, End</b>	R 4A0 821 086 D L 4A0 821 085 D	m m	 	22.15 22.15
<b>4 Nut, Cap (2/Side)</b> (Required when Installing Fender)	R/L N 902 521 04			.58
<b>5 Liner, Fender</b> 1992-94 100 Series S4	R 4A0 821 172 B L 4A0 821 171 B R 4A0 821 172 C	m m m	   	35.95 35.95 51.40