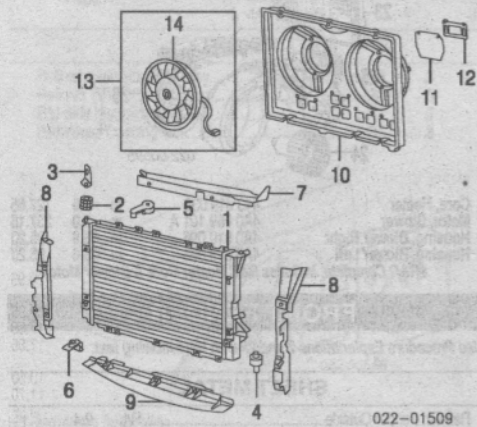


26 Hose, Pipe/Tank	4A0 121 109 A		13.20
27 Tank, Coolant	4A0 121 403	4	52.90
28 Cap Assy, Filler	443 121 321		10.80
29 Seal, Cap]	171 121 327		2.15
<i>†Included w/Filler Cap Assy</i>			
30 Switch, Thermo	191 959 481 C		33.25
31 Cover, Thermo Switch	867 972 525 B		2.55
32 Pipe, Water	034 121 071 S		32.60
33 Hose, Water Pump/Pipe	034 121 063 C		9.15
34 Hose, Pipe/Heater Valve	4A0 819 371 B		26.00
35 Hose, Water Manifold	4A0 121 082		15.75
36 Manifold, Water	034 121 187 B		211.30
37 Hose, Water Pump	4A0 121 081		14.70
38 Pump, Aux Water	034 965 561 C	m	205.10
39 Mount, Pump (2)	035 959 209 E	m	9.73
40 Bracket, Pump	034 121 093 J	m	07.55
41 Pump, Main Water	054 121 004 A	m	0228.65
42 Belt, Drive	054 903 137 B	5	76.15

6 CYL

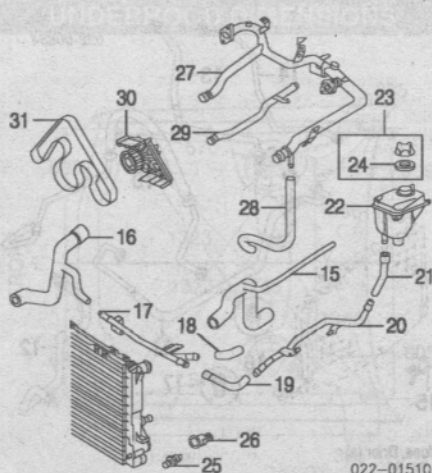


022-01509

1 Radiator			
Man Trans	4A0 121 251 Q	2.6	258.15
Auto Trans	4A0 121 251 M	2.6	326.65
2 Mount, Upper			
w/ A/C	R/L 4A0 121 267 A		2.60
w/o A/C	R/L 055 129 669		2.00
3 Bracket, Mount	R/L 4A0 121 262-1		13.20
4 Mount, Lower	R/L 4A0 121 273 A		12.25
5 Bracket, Upper]	4A0 121 093 C		7.35
6 Clamp, Lower]	4A0 121 304 C		5.90
<i>†As Required</i>			
7 Baffle, Air Upper]			
1992	4A0 121 293	39.95	
1993			
To VIN P020000	4A0 121 293	39.95	
From VIN P020001	4A0 121 293 D	17.85	
1994-97	4A0 121 293 D	17.85	
1998			
A6			
Wagon	4A0 121 293 D	17.85	
<i>†Order by Application</i>			
8 Baffle, Air Side			
1992-97			
100 Series	R 4A0 121 284 C	10.50	
	L 4A0 121 283 C	11.70	
A6			
FWD	R 4A0 121 284 C	10.50	
	L 4A0 121 283 C	11.70	
AWD	R 4A0 121 284 D	9.55	
	L 4A0 121 283 G	9.55	
1998			
A6			
Wagon	R 4A0 121 284 C	10.50	
	L 4A0 121 283 C	11.70	
9 Baffle, Air Lower	4A0 121 333 A	3	13.45
10 Shroud, Fan	4A0 121 207 H	#.8	97.70
11 Flap, Shroud	4A0 121 225 D		2.30
12 Bracket, Flap	191 121 227		1.90
13 Fan Assy	R/L 4A0 959 455 C	#.8	368.35
14 Blade, Fan]	R 441 959 465	#.8	37.90
	L 4A0 959 465	#.8	37.90
<i>†R&amp;R Complete</i>			
Washer, Lock]			
MACI Brand	R/L 823 959 473	1.55	
GATE Brand	R/L N 900 470 01	1.60	
Bushing, Spacer]	R/L 701 959 477	1.10	
<i>†Included w/Fan Assy</i>			

Illustration Located in Next Column

15 Hose, Upper Rad	4A0 121 101 C	.6	68.80
16 Hose, Lower Rad			
1992-94			
100 Series	4A0 121 055 F	.6	84.40
1995-97			
A6	4A0 121 055 H	.6	17.55
1998			
A6			



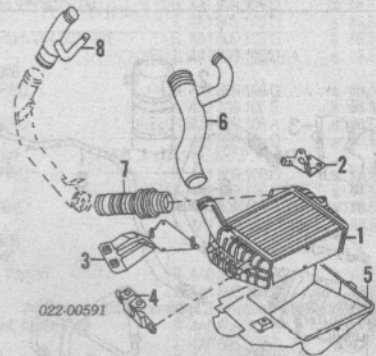
022-01510

Wagon	4A0 121 055 H	.6	17.55
Hose, Connector Pipe			
1995-97			
A6	078 121 096 J		8.05
1998			
A6			
Wagon	078 121 096 J		8.05
17 Pipe, Connector	078 121 081 J		54.30
18 Hose, Connector Pipe	078 121 096 H		10.05
19 Hose, Coolant Tank			
1992-95	4A0 121 109 D		24.95
1996-98	4A0 121 109 K		12.10
20 Pipe, Water			
1992-97			
FWD			
w/Traction Control	4A0 121 075 D		33.85
w/o Traction Control	92-95 4A0 121 075		28.15
	96-97 4A0 121 075 F		23.85
	4A0 121 075		28.15
AWD			
1998			
A6			
Wagon	4A0 121 075		28.15
21 Hose, Coolant Tank			
1992-97			
FWD			
w/Calif Emission	4A0 121 109 H		30.25
w/o Calif Emission	4A0 121 109 A		13.20
AWD	4A0 121 109 A		13.20
1998			
A6			
Wagon	4A0 121 109 A		13.20
22 Tank, Coolant	4A0 121 403	4	52.90
23 Cap Assy, Filler	443 121 321		10.80
24 Seal, Cap]	171 121 327		2.15
<i>†Included w/Filler Cap Assy</i>			
25 Switch, Thermo	191 959 481 C		33.25
26 Cover, Thermo Switch	867 972 525 B		2.55
27 Pipe, Water			
1992-97			
100 Series			
FWD			
w/Calif Emission	078 121 071 AC		205.60
w/o Calif Emission	078 121 071 S		216.65
AWD	078 121 071 S		216.65
A6	078 121 071 BF		136.90
1998			
A6			
Wagon	078 121 071 BF		136.90
28 Hose, Water Pipe]			
1992-97	078 121 058 L		12.95
1998			
A6			
Wagon	078 121 058 J		9.90
<i>†Order by Application</i>			
29 Pipe, Water	078 121 075 L		16.25
30 Pump, Water			
1992-94			
100 Series	078 121 004 CX	m	2.8 R147.95
1995-97			
A6	078 121 006	m	2.8 171.10
1998			
A6			
Wagon	078 121 006	m	2.8 171.10
31 Belt, Drive			
1992			
100 Series	078 903 137 P	1.0	59.55
1993-94			
100 Series			
To VIN R029517	078 903 137 P	1.0	59.55
From VIN R029518	078 903 137 AJ	1.0	41.30
1995-98			
A6-See Timing Belt in Engine/Trans Section			

INTERCOOLER

Illustration Located in Next Column

1 Cooler, Turbo Air	4A0 145 805 J	m	#.6	423.90
---------------------	---------------	---	-----	--------



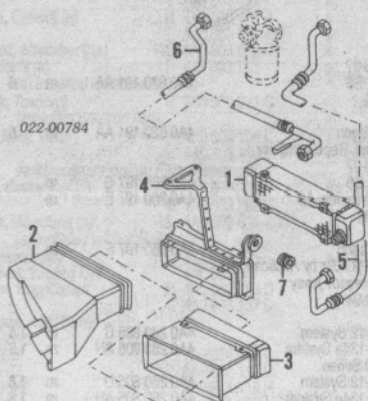
022-00591

#w/Front Bumper Assy Removed

2 Bracket, Upper	4A0 145 841 A	m	14.30
3 Support, Cooler	4A0 145 812 A	m	16.45
4 Bracket, Lower	4A0 145 813	m	10.25
5 Duct, Air	4A0 117 339 A		40.90
6 Hose, Cooler Outlet	034 145 746 AQ	.2	157.50
7 Hose, Cooler Intake	034 145 720 D		65.40
8 Hose, Turbocharger	034 145 746 AM	.2	157.90

ENGINE OIL COOLER

5 CYL



022-00784

1 Cooler, Engine Oil	034 117 021 B	m	1.0	297.10
2 Duct, Air Front	4A0 117 388 A	.3		40.90
3 Duct, Air Rear	4A0 117 387 A	.3		40.90
4 Bracket, Support	034 117 185 D			80.40
5 Hose, Pressure	4A0 117 125 A			311.30
6 Hose, Return	4A0 117 123 A			109.00
7 Mount, Rubber (2)	059 903 263 A			2.05

A/C REFRIGERANT CAPACITIES

A/C R-12 Refrigerant Capacity  
1992-93: 39-40.8 Ozs (2.43-2.55 Lbs)  
A/C R-134a Refrigerant Capacity  
1992-98: 21-22.8 Ozs (1.31-1.42 Lbs)

A/C /HEATER/VENTILATION

Use Procedure Explanation 6 with the following text.

Evacuate & Recharge System	m	1.4
Recover Refrigerant	m	.3

NOTE: R&R Does Not include recover, evacuate and recharge system.

Illustration Located in Next Column

1 Condenser				
1992-94				
100 Series, S4				
R-12 System	4A0 260 403 A	m	1.8	679.00
R-134a System	4A0 260 403 AC	m	1.8	385.18
1995-97				
A6, S6	4A0 260 403 AC	m	1.8	385.18
1998				
A6				
Wagon	4A0 260 403 AC	m	1.8	385.18
2 Receiver/Drier				
1992-94				
S4 Series				
R-12 System	4A0 820 191 D	m	.6	225.65
R-134a System	4A0 820 191 AB	m	.6	216.30
100 Series				
R-12 System	4A0 820 191 E	m	.6	263.47
R-134a System	4A0 820 191 AA	m	.6	216.30