

CLEAR COAT IDENTIFICATION

All colors except Tornado Red (Code LY3D), Laser Red (Code LY3H), Casablanca White (Code LY9G), Alpine White (Code L90E) and Azurite Blue (Code LY5D) are clear coat.

INFORMATION LABELS

NOTE: Emission and Vacuum Routing Labels must be special ordered from dealer by supplying description, VIN and owner information.

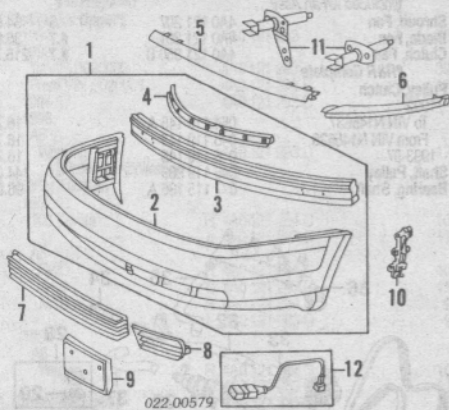
Headlamp Beam Adjust	893 010 107 T	3.20
Anti-Theft	R/L 4D0 010 138 E	1.40
Child Lock	4A1 010 121 J	5.00
Radio Coding	893 010 020 L	6.00
Air Bag		
USA		
Renewal Date 1998-2001	443 010 028 F	4.90
Renewal Date 2000-2003	443 010 111 G	2.00
Air Bag Replacement	4A0 010 129 C	1.40
A/C Belt Alignment	4A0 010 119 L	05.50
Tire Pressure	4A0 010 131 L	1.40
*Order by Application		
Fuse Layout	4A0 010 121	05.35
Engine Warning	4A0 010 114 S	6.90
Fuel		
Unleaded Only	000 010 018 C	2.25
Premium Unleaded Fuel Only	034 010 006 C	1.40
*Order by Application		
Engine Data	4A0 010 129 A	04.20
Vacuum Hose Layout	078 010 121 B	05.70
*Order by Application		
Timing Belt		
60,000 Mile	028 010 227 E	1.10
75,000 Mile	92-95 059 010 158 A	2.45
	96-98 059 010 158 A	2.45
A/C Refrigerant Level	8A0 010 126 P	2.00
Radiator Fill Caution	251 010 014 M	3.30
Ignition/Rad Fan Caution	4A0 010 114 S	6.90
Trailer Operation	281 010 013 E	1.20
Oil Fill Caution	037 010 049 R	4.45

FRONT BUMPER

Use Procedure Explanations 1 and 28 with the following text.

Refinish Front Cover	1.4
Refinish Mouldings Complete	1.0
Refinish Center Moulding	4
Refinish Outer Moulding	R/L 4
R&I Bumper Assy	6
O/H Bumper Assy (Includes R&I)	2.0
Add to O/H Bumper Assy w/Fog Lamps	3

NOTE: All Parts in this section are included in overhaul unless noted otherwise.



1 Bumper Assy (P)			
1992-94			
100 Series	4A0 807 101 GRU	2.0	673.00
S4	4A0 807 101 E GRU	2.0	677.00
1995-97			
A6	4A0 807 101 FG GRU	2.0	673.00
S6	4A0 807 101 FJ GRU	2.0	724.01
1998			
A6			
Wagon	4A0 807 101 FG GRU	2.0	673.00
2 Cover, Front (P)			
1992-94			
100 Series	4A0 807 103 GRU	2.0	567.00
S4	4A0 807 103 F GRU	2.0	591.00
1995-97			
A6	4A0 807 103 DC GRU	2.0	544.00
S6	4A0 807 103 DD GRU	2.0	605.00
1998			
A6			
Wagon	4A0 807 103 DC GRU	2.0	544.00
*Paint to Match			
3 Bar, Reinft-Serviced w/Bumper Assy			
4 Support, Bumper	R/L 4A0 807 234-3	10H	42.85
*Included w/Bumper Assy			
5 Moulding, Cover Center (P)	4A0 807 243 B GRU	#3	210.75
6 Moulding, Cover Outer (P)			
1992-97			

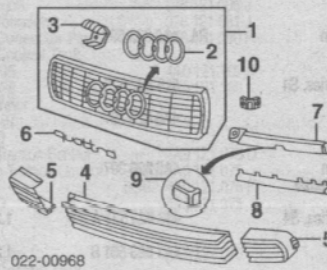
100 Series, A6	R 4A0 807 260 GRU	#3	44.75
	L 4A0 807 259 GRU	#3	44.75
S4, S6	R 4A0 807 260 A GRU	#3	184.90
	L 4A0 807 259 A GRU	#3	184.90
1998			
A6			
Wagon	R 4A0 807 260 GRU	#3	44.75
	L 4A0 807 259 GRU	#3	44.75

(P) Paint to Match
#w/Bumper Removed, R&R Complete .6, Not Included in O/H

7 Grille, Cover Center	4A0 853 667 F 01C	.3	74.35
8 Grille, Cover Outer	R 4A0 807 368 01C	.2	11.50
	L 4A0 807 367 01C	.2	11.50
9 Bracket, License			
1992-94			
100 Series, S4	4A0 807 287 M 3FZ	.2	52.95
1995-97			
A6	4A0 807 287 M 3FZ	.2	52.95
S6	4A0 807 287 L GRU	.2	97.45
1998			
A6			
Wagon	4A0 807 287 M 3FZ	.2	52.95
10 Bracket, Cover	R/L 4A0 807 253 C		4.25
11 Absorber, Impact	R 4A0 807 272 B	#3	129.15
	L 4A0 807 271 B	#3	126.25
*w/Bumper Removed, Not Included in O/H			
12 Sensor, Outboard Temp	8D0 820 535	#8	39.40
*Includes R&I Bumper Assy, w/Bumper Assy Removed Deduct .6, Not Included in O/H Bumper Assy			

GRILLE

Refinish Outer Moulding	R/L	.3
Refinish Washer System Cap	R/L	.2



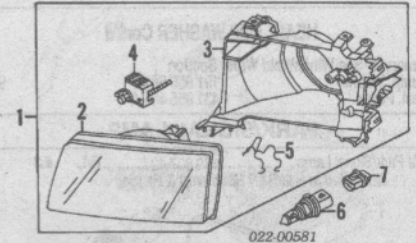
1 Grille Assy			
1992-94			
100 Series, S4	4A0 853 651 3FZ	#3	132.40
1995-97			
A6, S6	4A0 853 651 C 3FZ	#3	208.30
1998			
A6			
Wagon	4A0 853 651 C 3FZ	#3	208.30
*Included in R&R Hood			
2 Ornament, Audi	92-94 893 853 605	.2	25.95
	95-98 4A0 853 606 2ZZ	.2	25.95
	92-94 4A0 853 645 A	3.15	
*Included w/Grille Assy			
3 Brkt, Retainer (3)			
*Included w/Grille Assy			
4 Grille, Lower-See Front Bumper Section			
5 Grille, Outer-See Front Bumper Section			
6 Nameplate			
"S4"	4A0 853 736 2ZZ	.2	66.35
"Quattro"			
100 Series, S4	92-94 4A5 853 736 A 2ZZ	.2	14.10
A6, S6	95-98 4A5 853 736 B 2ZZ	.2	14.10
7 Moulding, Outer (P)			
1992-94			
100 Series, S4			
w/ H/Lamp Washers	R 4A0 853 208 C	10.30	
	L 4A0 853 207 C	10.30	
w/o H/Lamp Washers	R 4A0 853 208 B	10.00	
	L 4A0 853 207 B	10.00	
1995-97			
A6, S6			
w/ H/Lamp Washers	R 4A0 853 208 E	7.20	
	L 4A0 853 207 E	7.20	
w/o H/Lamp Washers	R 4A0 853 208 D	4.70	
	L 4A0 853 207 D	4.70	
1998			
A6			
Wagon	R 4A0 853 208 E	7.20	
	L 4A0 853 207 E	7.20	
	R 4A0 853 208 D	4.70	
	L 4A0 853 207 D	4.70	
*Paint to Match			
8 Seal, Moulding	92-94 R 4A0 853 206 A	04.40	
	L 4A0 853 205 A	04.40	
9 Cap, Washer System (P)	R 4A0 807 156 GRU	18.20	
	L 4A0 807 155 GRU	18.20	
*Paint to Match			
10 Bracket, Moulding	R 4A0 853 238 A	1.30	
	L 4A0 853 237 A	1.30	

FRONT LAMPS

COMBINATION LAMP 100 SERIES

Aim Lamps		.4
R&I Headlamp Assy	R/L	#8
*Includes R&I/R&R Park/Signal Lamp		

NOTE: R&R Does Not include aim lamps.

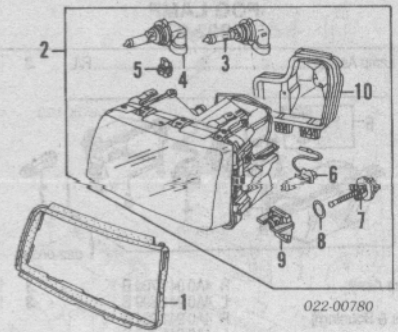


1 Lamp Assy	R 4A0 941 030 E	#8	271.85
	L 4A0 941 029 E	#8	271.85
*Includes R&I/R&R Park/Signal Lamp			
2 Lens & Housing	R/L 4A0 941 106-5	.3	212.40
3 Frame, Retainer	R/L 4A0 941 048-7		79.60
4 Screw, Adjusting	R/L 535 941 142		1.90
5 Spring, Bulb Retainer	R/L 357 941 172		4.00
*Included w/Lamp Assy			
6 Bulb, Halogen	R/L N 100 666 02	.2	11.70
7 Contact, Bulb	R/L 165 941 165		7.22

COMBINATION LAMP S4, A6, S6 MODEL

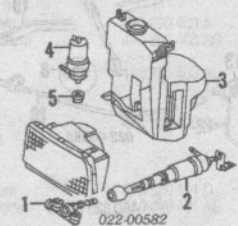
Aim Lamps		.4
R&I Headlamp Assy	R/L	#8
*Includes R&I/R&R Park/Signal Lamp		

NOTE: R&R Does Not include aim lamps.



1 Frame, Trim			
S4	R/L 4A0 941 192-1		36.45
A6, S6	R 4A0 941 192 A		35.30
	L 4A0 941 191 A		35.30
2 Lamp Assy			
1992-94			
S4	R 4A0 941 030 F	#8	594.00
	L 4A0 941 029 F	#8	594.00
1995			
A6, S6	R 4A0 941 004 AT	#8	534.00
	L 4A0 941 003 AT	#8	534.00
1996-97			
A6, S6	R 4A0 941 004 BF	#8	389.85
	L 4A0 941 003 BF	#8	389.85
1998			
A6			
Wagon	R 4A0 941 004 BF	#8	389.85
	L 4A0 941 003 BF	#8	389.85
*Includes R&I/R&R Park/Signal Lamp			
3 Bulb, Halogen Outer	R/L N 101 301 01	#2	21.65
4 Bulb, Halogen Inner	92-94 R/L N 101 300 01	#2	16.30
	95-98 R/L N 101 761 2	#2	4.55
*Each Additional .1			
5 Connector Set, Bulb	R/L 441 998 922		7.65
6 Bulb, Fog Lamp	R/L N 017 762 2	.2	4.65
7 Adjuster, Vertical	R/L 4A0 941 297		8.55
8 Seal	R/L 443 941 323		2.00
9 Brkt, Retainer (4)	R/L 893 941 117 A		3.55
	R 4A0 941 159 B		34.20
	L 4A0 941 159 A		34.20
*Included w/Lamp Assy			

HEADLAMP WASHER



1 Nozzle, Washer	R/L 4A0 955 986-5		20.40
2 Cylinder, Pressure	R/L 4A0 955 989		123.45
Mount Pkg, Cylinder	4A0 998 150		18.60