

# AUDI 100/200 1989-91

20 Valve Eng	R 4A0 804 222 A	149.55
	L 4A0 804 221 A	145.15
<b>Bracket, Brake Pressure Regulator</b>		
2 WD	L 4A0 803 887	18.35
4 WD		
1989	L 443 803 887 A	d17.10
1990		
To Ch 44L130000	L 443 803 887 A	d17.10
From Ch 44L130001	L 4A0 803 887 A	d18.35
1991	L 4A0 803 887 A	d18.35
<b>Rod, Panhard</b>		
100 Series	443 803 540 B	72.70
<b>15 Pan, Floor Front</b>	443 804 084 B	644.00
<b>16 Support, Rear Seat</b>	4A0 803 231	102.85
<b>17 Filler-Not Applicable</b>		
<b>18 Tray-Not Applicable</b>		

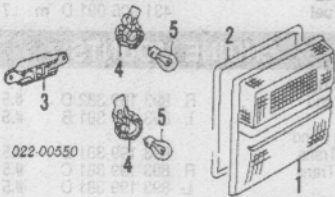
## REAR LAMPS

### COMBINATION LAMP ON QUARTER PANEL



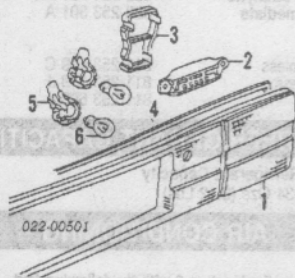
<b>1 Lens &amp; Housing</b>			
Sedan	R 443 945 218 A	.5	108.80
	L 443 945 217 A	.5	108.80
Wagon	R 445 945 218 A	.5	112.15
	L 445 945 217 A	.5	108.80
<b>2 Holder, Bulb</b>	R 443 945 222		31.40
	L 443 945 221		31.40
<b>3 Gasket, Lamp</b> †	R/L AKD 497 010 04 R10		31.60
†Sold as 10 Meter Roll, Cut to Fit			
<b>4 Bulb</b>			
Stop	R/L N 017 738 2		1.90
Tail	R/L N 017 732 2		1.30
Signal	R/L N 017 719 2		1.70

### COMBINATION LAMP ON DECK LID 100 SERIES



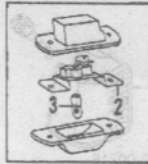
<b>1 Lens &amp; Housing</b>			
Sedan	R 443 945 226 A	.5	82.50
	L 443 945 225 A	.5	78.25
Wagon	R 445 945 226 A	.5	95.80
	L 445 945 225 A	.5	98.65
<b>2 Gasket, Lamp</b> †	R/L AKD 497 010 04 R10		31.60
†Sold as 10 Meter Roll, Cut to Fit			
<b>3 Retainer, Lamp</b>	R/L 443 945 115		2.90
<b>4 Socket, Bulb</b>	R/L 893 945 265		5.10
<b>5 Bulb</b>	R/L N 017 732 2		1.30
<b>Cover, Socket</b>	R 443 945 286		3.55
	L 443 945 285		3.55

### COMBINATION LAMP ON DECK LID 200 SERIES



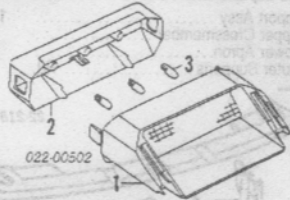
<b>1 Lens &amp; Housing</b>			
Sedan	R/L 447 945 225 N	.6	397.40
Wagon	R/L 447 945 225 P	.6	397.40
<b>2 Retainer, Lamp Mtg</b>	R/L 447 945 115		2.95
<b>3 Cover, Lamp Socket</b>	R/L 443 945 285		3.55
<b>4 Gasket, Lamp</b> †	R/L AKD 497 010 04 R10		31.60
†Sold as 10 Meter Roll, Cut to Fit			
<b>5 Socket, Bulb</b>	R/L 893 945 265		5.10
<b>6 Bulb</b>	R/L N 017 732 2		1.30

## LICENSE LAMP



<b>1 Lamp Assy, License</b>	443 943 021 A	.3	18.75
<b>2 Socket, Bulb</b> †	481 943 117		6.90
<b>3 Bulb</b> †	N 017 717 2		1.50
†Included w/License Lamp Assy			

## STOP LAMP HIGH MOUNT



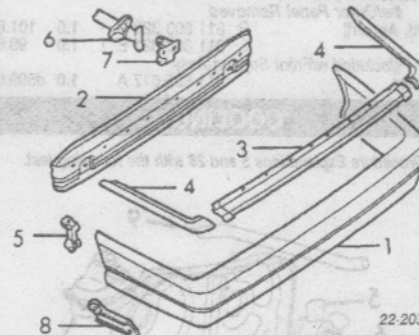
<b>1 Lens &amp; Housing, Lamp</b>			
Sedan (a)	443 945 122	.4	53.90
Wagon (b)	855 945 122	.4	64.20
(a) Mounted on Package Tray (b) Mounted on Liftgate Glass			
<b>2 Socket, Bulb</b>			
Sedan	443 945 121		28.95
Wagon	855 945 121		34.40
<b>3 Bulb</b>			
Sedan (3)	N 017 753 2		1.30
Wagon (4)	N 017 753 2		1.30

## REAR BUMPER

Use Procedure Explanations 27 and 28 with the following text.

Refinish Cover	2.3
Refinish Mouldings Complete	1.0
R&I Bumper Assy	.6
O/H Bumper Assy (Includes R&I)	1.5

NOTE: All Parts in this section are included in overhaul unless noted otherwise.



<b>1 Cover, Bar (P)</b>	443 807 305 E GRU	1.5	574.00
(P) Paint to Match			
<b>2 Bar, Reinf</b>	443 807 309 A	IOH	345.55
<b>3 Moulding, Cover Center</b>			
Sedan	443 807 443 E	#.3	118.75
Wagon	445 807 443 E	#.3	168.75
<b>4 Moulding, Cover Outer</b>			
R	443 807 460 E	#.3	49.35
L	443 807 459 E	#.3	49.35
#w/Bumper Assy Removed, R&R All .5, Not Included in O/H			
<b>5 Bracket, Side Upper</b>	R/L 433 807 253		5.55
<b>6 Absorber, Impact</b>	R/L 443 807 377 D	#.3	105.90
#w/Bumper Assy Removed, Not Included in O/H			
<b>7 Bracket, Mounting</b>			
R	443 807 358 A	IOH	33.50
L	443 807 357 A	IOH	33.50
<b>8 Bracket, Side Lower</b>	R/L 443 807 477 B	IOH	2.00