

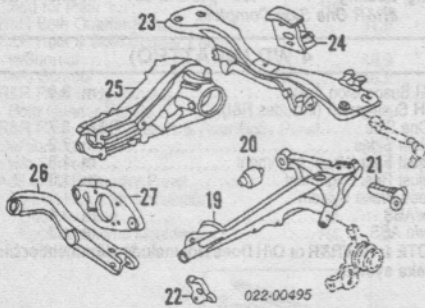
# AUDI 100/200 1989-91

## REAR SUSPENSION Cont'd

### 4 WD (QUATTRO) Cont'd

Ball Joint, Outer]	R/L	443 505 153 B	m	.9	143.05
Ball Joint, Inner]	R	443 505 366 D	m	.9	146.85
	L	443 505 365 D	m	.9	146.85

¶Included w/Upper Control Arm Assy

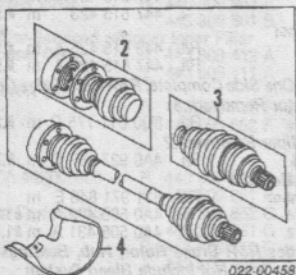


19 Arm Assy, Lower Control	R	4A0 511 512 B	m	#1.5	623.00
	L	4A0 511 511 B	m	#1.5	623.00
#R&R One Side Complete, R&R Both Sides 2.2					
20 Bushing, Arm]	R/L	4D0 511 523 C	m	#3	61.75
¶Included w/Lower Control Arm Assy					
#w/Control Arm Removed					
21 Bracket, Toe Adjust	R	443 511 224 C	m		310.15
	L	443 511 223 C	m		310.15
22 Support w/Bushing					
1989	R/L	443 511 329 B			291.10
1990					
To Ch 44L125000	R/L	443 511 329 B			291.10
From Ch 44L125001	R	440 511 330 A			220.50
	L	4A0 511 329 A			220.50
1991	R	4A0 511 330 A			220.50
	L	4A0 511 329 A			220.50
23 Crossmember					
100 Series		443 505 101 H	#3.5		649.00
200 Series					
10 Valve Eng		443 505 101 H	#3.5		649.00
20 Valve Eng		441 505 099 A	#3.5		1124.00
¶Includes Replacing Both Bushings, Not Included in O/H					
24 Mount, Crossmember		443 525 325 B	#		23.40
25 Differential, Drive Axle					
100 Series		017 500 040 D	m #2.2		d4100.00
200 Series (a)		017 500 040 J	m #2.2		d4523.00
(a) Order by Application					
Shaft Assy, Axle-See Rear Drive Axle Section					
26 Mount, Differential Front					
100 Series		447 505 120	m	#	d250.00
200 Series					
10 Valve Eng		447 505 120	m	#	d250.00
20 Valve Eng		441 505 120 A	m	#	250.00
27 Mount, Differential Rear					
100 Series		447 505 127	m	#	138.90
200 Series					
10 Valve Eng		447 505 127	m	#	138.90
20 Valve Eng		441 505 127	m	#	d168.55
¶Not Included in O/H					

## REAR DRIVE AXLE

### QUATTRO

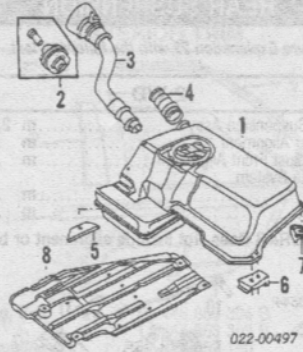
R&L Axle Shaft Assy	R/L	4A0 501 203 B	m	#2.1	551.00
¶w/Knuckle Assy Removed Deduct 1.8					



1 Shaft Assy, Axle	R/L	4A0 501 203 B	m	#2.1	551.00
#Each Side					
2 Joint, CV Inner]	R/L	431 498 103 C	m	#2.8	175.95
3 Shaft w/Joint, Outer]	R/L	443 498 099 C	m	#3.2	462.85
¶Included w/Axle Shaft Assy					
¶Includes R&L Axle Shaft Assy, w/Knuckle Removed Deduct 1.8					
4 Shield, Right Side		443 501 719 A			d46.45

## FUEL TANK

NOTE: R&R Does not include drain fuel.

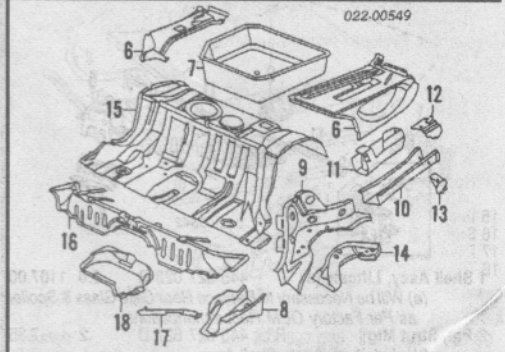
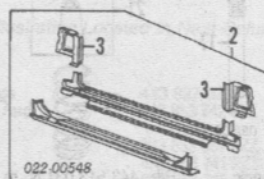
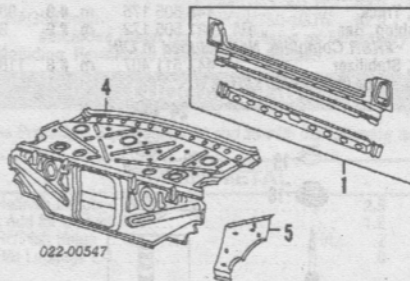


1 Tank, Fuel					
2 WD					
w/Auxiliary Heater		443 201 075 AL	1.3		631.00
w/o Auxiliary Heater	89	443 201 075 AC	1.3		N.A.
	90-91	443 201 075 AC	1.3		467.50
4 WD					
10 Valve Eng					
1989		To Ch 44K067000	4A0 201 075 A	m	3.7 631.00
		From Ch 44K067001	4A0 201 075 A	m	3.7 631.00
		1990-91	4A0 201 075 A	m	3.7 631.00
		20 Valve Eng	4A0 201 075 A	m	3.7 631.00
2 Cap, Filler]		443 201 551 AA			30.15
¶Order by Application					
3 Pipe, Filler (a)		443 201 129 AD	.6		194.55
(a) Requires Unleaded Fuel Insert					
Insert, Unleaded Fuel		443 201 115 A			d9.60
4 Hose, Filler		4A0 201 143			50.90
Gauge Unit, Tank					
2 WD					
w/Auxiliary Heater		443 919 049 T	m	.4	197.30
w/o Auxiliary Heater		443 919 049 AAM	.4		197.30
4 WD		443 919 049 AAM	.4		197.30
Pump, Fuel					
100 Series					
2 WD		895 906 089 E	m	1.0	395.25
4 WD		443 906 087 BE	m	1.0	322.10
200 Series					
1989		To Ch 44K067000	443 906 087 BE	m	1.0 322.10
		From Ch 44K067001	447 906 091 E	m	1.0 334.70
		1990-91	447 906 091 E	m	1.0 334.70
Strap, Front Mounting					
100 Series		443 201 651 D			70.00
Strap, Rear Mounting					
100 Series		443 201 652 E			70.00
Bracket, Front Mounting					
200 Series					
5 Right		443 201 247 A			6.25
6 Left		443 803 781 B			50.90
7 Bracket, Rear Mounting					
200 Series	R/L	443 201 248 A			6.25
8 Plate, Protection					
100 Series]		443 201 307			61.15
200 Series					
10 Valve Eng		443 018 957 D			150.50
20 Valve Eng		4A0 018 957			99.30
¶Order by Application					

## REAR BODY

Use Procedure Explanations 26 and 28 with the following text.

Refinish Lower Panel					
Sedan					1.9
Wagon					1.5
Add to Edge Panel					.5



Panel Assy, Lower					
1 Sedan		441 813 308 C	#7.5		233.10
2 Wagon		445 813 308 B	#7.5		255.45
#Deduct 2.0 for Each Quarter Panel Removed, Deduction Includes Common Surfaces & Included Operations					
3 Panel, Lamp Mount]					
Wagon	R	445 813 346 A			61.60
	L	445 813 345 A			61.60
¶Included w/Lower Panel Assy					
4 Tray, Package					
Sedan		443 813 111 C			206.80
5 Reinf, Package Tray					
200 Series					
20 Valve Eng	R	441 813 118 B			8.15
	L	441 813 117 B			8.15
6 Pan, Rear Floor					
10 Valve Eng	R	443 803 098 B	3.0		146.85
	L	443 803 095 C	5.0		147.95
20 Valve Eng	R	443 803 098 B	5.0		146.85
	L	443 803 095 B	5.0		195.70
7 Well, Spare Wheel					
200 Series					
10 Valve Eng		443 803 265	#3.5		193.55
20 Valve Eng		441 803 265 C	#3.5		369.75
¶Add for Urethane Material					
Crossmember, Rear Floor					
Wagon					
2 WD		445 803 069 C			d250.15
4 WD		445 803 069 B			257.55
8 Sidemember, Front					
2 WD					
1989	R	443 803 406 F	s	3.5	110.25
	L	443 803 405 G	s	3.5	d110.25
1990					
To Ch 44L130000	R	443 803 406 F	s	3.5	110.25
	L	443 803 405 G	s	3.5	d110.25
From Ch 44L130001	R	443 803 406 F	s	3.5	110.25
	L	443 803 405 J	s	3.5	110.25
1991	R	443 803 406 F	s	3.5	110.25
	L	443 803 405 J	s	3.5	110.25
4 WD					
1989	R	443 803 406 H	s	3.5	113.60
	L	443 803 405 H	s	3.5	110.25
1990					
To Ch 44L130000	R	443 803 406 H	s	3.5	113.60
	L	443 803 405 H	s	3.5	110.25
From Ch 44L130001	R	443 803 406 K	s	3.5	113.60
	L	443 803 405 K	s	3.5	d110.25
1991	R	443 803 406 K	s	3.5	113.60
	L	443 803 405 K	s	3.5	d110.25
9 Sidemember, Wheelhouse					
2 WD	R	443 803 352 G	s	3.5	70.25
	L	443 803 351 G	s	3.5	170.55
4 WD					
1989	R	4A0 803 408 A	s	3.5	170.70
	L	4A0 803 407 A	s	3.5	165.75
1990					
To Ch 44L130000	R	4A0 803 408 A	s	3.5	170.70
	L	4A0 803 407 A	s	3.5	165.75
From Ch 44L130001	R	443 803 408 H	s	3.5	170.70
	L	4A0 803 407 A	s	3.5	165.75
1991	R	443 803 408 H	s	3.5	170.70
	L	4A0 803 407 A	s	3.5	165.75
10 Sidemember Assy, Rear					
2 WD	R	443 803 652 F	s	3.5	115.45
	L	443 803 651 D	s	3.5	115.45
4 WD	R	443 803 652 E	s	3.5	108.90
	L	443 803 651 E	s	3.5	108.90
Reinf, Jack Support]	R	443 804 614 A			66.05
	L	443 804 613 A			66.05
¶Included w/Rear Sidemember Assy					
11 Reinf, Rear Sidemember					
200 Series					
20 Valve Eng	R	441 803 732 A			75.95
	L	441 803 731			29.50
12 Mount, Absorber					
2 WD		443 803 691 E			44.10
4 WD		443 803 691 D			44.10
13 Bracket, Muffler					
200 Series					
20 Valve Eng	L	441 804 313 A			15.75
Hook, Towing					
10 Valve Eng		443 804 387			27.90
20 Valve Eng		447 804 387			d101.30
14 Mount, Crossmember					
200 Series					
10 Valve Eng	R	441 804 222 A			88.75
	L	441 804 221 A			35.50