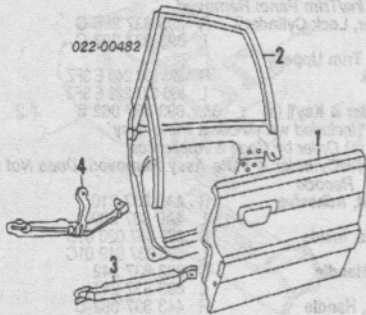


AUDI 100/200 1989-91

REAR DOOR Cont'd

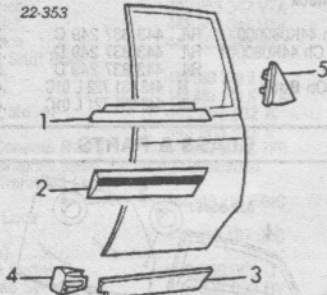
SHEET METAL Cont'd



4 Bracket, Armrest	R 443 839 952	45.80
	L 443 839 951	44.50

EXTERIOR TRIM

22-353

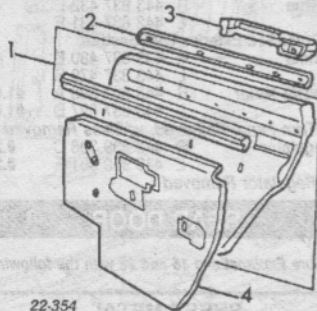


1 Moulding, Belt (a)	R 443 853 764 G	.3	d34.10
	L 443 853 763 G	.3	d34.10
(a) Includes Outer Weatherstrip			
2 Moulding, Side			
10 Valve Eng	R 447 853 964 G 01C	.3	142.15
	L 447 853 963 G 01C	.3	138.00
20 Valve Eng	R 447 853 964 E 01C	.3	131.85
	L 447 853 963 E 01C	.3	131.85
3 Cover, Trim Lower	R 443 853 970 D 01C	.3	35.90
	L 443 853 969 D 01C	.3	35.90
4 Cover, Cap	R/L 443 853 113 A 01C	.2	1.90
5 Plate, Trim Outer	R 443 853 274 A 01C	.3	3.55
	L 443 853 273 A 01C	.3	3.55
Plate, Trim Inner]	R 441 857 570 V7A	8.15	
	L 441 857 569 A 7FR	10.25	

†Graphite listed, Order by Application

INTERIOR TRIM

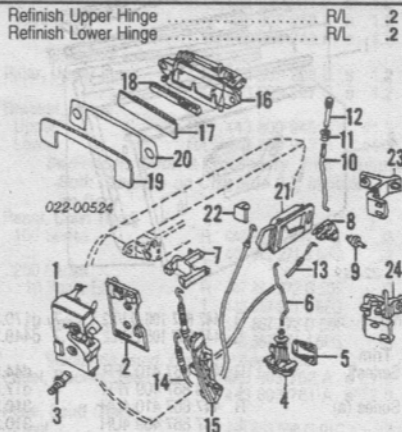
R&I Trim Panel	R/L	.6
----------------	-----	----



22-354

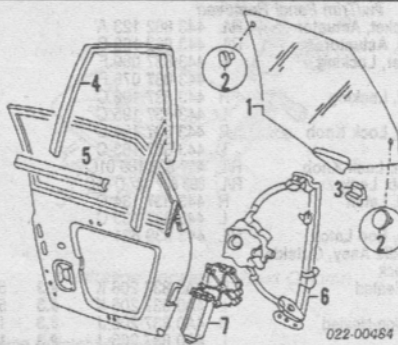
1 Panel, Outer]			
Cloth (Velour)			
100 Series	R 443 867 306 AC VJ1	.7	d329.95
	L 443 867 305 AC VJ1	.7	d329.95
200 Series	R 447 867 306 B VQ4	.7	d329.95
	L 447 867 305 B VQ4	.7	d329.95
Leather	R 447 867 306 C VL2	.7	d385.00
	L 447 867 305 C VL2	.7	d385.00
2 Panel, Trim			
100 Series]	R 443 867 420 7FR		d34.05
	L 443 867 419 7FR		d35.40
200 Series (a)	R 447 867 420 4UH		278.45
	L 447 867 419 4UH		278.45
(a) Order by Application			
3 Armrest]			
100 Series	R 443 867 174 5AY	.3	68.00
	L 443 867 173 5AY	.3	70.00
200 Series	R 447 867 172 A 5AY	.3	123.00
	L 441 867 171 A 5AY	.3	123.00
†Graphite listed, Order by Application			
4 Pad, Insulator	R/L 441 863 981		4.60

HARDWARE



Refinish Upper Hinge	R/L	.2	
Refinish Lower Hinge	R/L	.2	
1 Latch	R 441 839 016	#.3	66.95
	L 441 839 015	#.3	66.95
#w/Trim Panel Removed			
2 Gasket, Door Latch	R 8A0 837 088	#.3	1.90
	L 8A0 837 087	#.3	1.90
#R&R Complete w/Trim Panel Removed			
3 Striker, Latch-See Quarter Panel Section			
Cover, Latch	R 443 839 350 A		5.15
	L 443 839 349 A		5.15
4 Actuator, Power Lock	R/L 893 862 153 A	#.3	37.10
#w/Trim Panel Removed			
5 Bracket, Actuator	R/L 443 862 123 A		2.95
6 Rod, Actuator	R 443 862 170 C		d2.90
	L 443 862 169 C		2.90
7 Lever, Locking	R 443 837 080 F		3.90
	L 443 837 079 F		3.90
8 Lever, Release	R 813 839 824 C		3.35
	L 813 839 823 C		3.35
9 Rivet, Release Lever	R/L 323 839 829		1.20
10 Rod, Lock Knob	R/L 443 839 183 F		3.05
11 Trim, Lock Knob	R/L 447 837 189 01C		2.30
12 Knob, Lock	R/L 893 837 187 D 01C		2.45
13 Cable-Not Applicable			
14 Cable, Inside Handle			
To Latch	R 443 839 082 C		12.30
	L 443 839 081 C		12.30
15 Bracket-Not Applicable			
16 Handle, Outside			
Black	R 893 839 206 F	#.3	37.30
	L 893 839 205 F	#.3	37.30
#w/Trim Panel Removed			
17 Plate, Trim Lower	R/L 893 837 237 E 01C		14.95
18 Retainer, Trim Plate	R/L 893 837 109 E		.92
19 Plate, Trim Upper			
Black	R/L 440 839 239 B 01C		12.65
20 Gasket, Adhesive	R/L 893 839 209		1.90
21 Handle, Inside	R 893 837 020 A 01C		31.45
	L 893 837 019 A 01C		30.15
22 Seal, Handle	R 893 837 242		2.30
	L 893 837 241		2.30
23 Hinge, Upper	R/L 443 831 401	#.3	42.50
24 Hinge, Lower	R/L 443 831 401	#.3	42.50
#R&R Both One Side w/Door Removed			
Bracket, Hinge-See Hinge Pillar			
Strap, Check	R/L 443 839 249 B	.2	24.50
W/Strip on Door	R 443 833 712 C	.4	55.55
	L 443 833 711 C	.4	22.20
W/Strip on Body	R 443 833 722 L 01C	.6	145.35
	L 443 833 721 L 01C	.6	145.35

GLASS & PARTS



1 Glass, Rear Door			
Audi-Tinted			
Sedan	R 443 845 026 G	1.8	238.90
	L 443 845 025 G	1.8	238.90
Wagon	R 445 845 026 C	1.8	238.90
	L 445 845 025 C	1.8	238.90
NAGS-Green			
Sedan	R/L FD02745-6GTN	1.8	320.50
Wagon	R/L FD02879GTy	1.8	N.A.
w/Attach	L FD02880GTy	1.8	N.A.

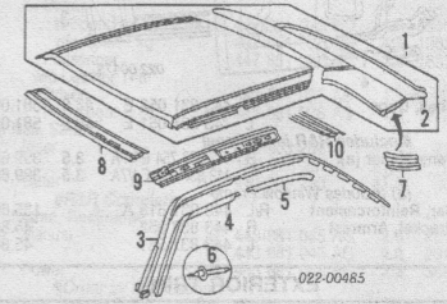
w/o Attach	R FD02879GTN	1.8	N.A.
	L FD02880GTN	1.8	N.A.
2 Cap, Retainer			
Black	R/L 443 845 471 C		.38
3 Stop, Regulator	R/L 443 837 447		2.45
4 Channel, Glass Run			
Sedan	R 443 839 440 N		167.70
	L 443 839 439 N		167.70
Wagon	R 445 839 440 A		193.80
	L 445 839 439 A		193.80
W/Strip, Outer-See Exterior Trim Section			
5 W/Strip, Inner	R 443 839 480 B		17.55
	L 443 839 479 B		17.55
6 Regulator w/o Motor	R 443 839 398 C	#1.0	91.20
	L 443 959 801 F	#1.0	d186.60
#w/Trim Panel Removed, w/Glass Removed .4			
7 Motor, Regulator	R 443 839 398 C	#.2	91.20
	L 443 959 801 F	#.2	d186.60
#w/Regulator Removed			

ROOF

Use Procedure Explanations 17 and 28 with the following text.

SEDAN

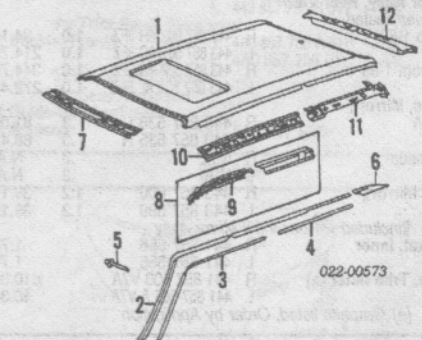
Refinish Roof Outside		3.0
-----------------------	--	-----



1 Panel Assy, Roof			
w/Sunroof	443 817 017 A	23.0	878.00
w/o Sunroof	443 817 111 B	20.5	d853.00
2 Frame, Back Window]	443 817 145 A		d511.00
†Included w/Roof Panel Assy			
3 Moulding, Drip Finish	R 443 853 704 E 01C	.6	67.60
	L 443 853 703 E 01C	.6	69.60
4 Strip, Cover Front	R 443 853 710 01C		16.05
	L 443 853 709 01C		16.05
5 Strip, Cover Rear	R 443 853 710 A 01C		10.70
	L 443 853 709 A 01C		10.70
6 Rivet, Cover Strip (9)	R/L N 905 763 01		.22
7 Moulding, Pillar Trim	R 443 853 216 ROH	.2	12.35
	L 443 853 215 ROH	.2	12.35
8 Header, Front	R 443 817 995 A	1.5	d43.20
Rail, Side Outer-Serviced w/Roof Panel Assy			
9 Rail, Side Inner	R 443 817 968 C	2.0	61.60
	L 443 817 967 C	2.0	61.60
10 Header, Rear	R 443 817 983 A		d71.00
Headliner, Moulded] (a)			
w/Sunroof	443 867 505 AE 2TG	5.0	495.05
w/o Sunroof	443 867 505 AA 2TG	4.5	d406.85
†Order by Application			
(a) Not Reusable, Necessary to R&R as per Factory Recommendations			

WAGON

Refinish Roof Outside		3.4
-----------------------	--	-----



1 Panel, Roof			
w/Sunroof	445 817 017 F	25.0	d821.00
w/o Sunroof			
w/Roof Rails	445 817 111 R	23.0	d1059.00
w/o Roof Rails		23.0	
2 Moulding, Drip Finish	R 445 853 704 D 01C	.5	129.35
	L 445 853 703 D 01C	.5	91.05
3 Strip, Cover Front	R 443 853 710 01C	#.6	16.05
	L 443 853 709 01C	#.6	16.05
4 Strip, Cover Rear	R 445 853 710 A 01C	#.6	15.10
	L 445 853 709 A 01C	#.6	10.70
5 Rivet, Cover Strip (9)	R/L N 905 763 01		.22
6 Cap, End			
Finish Mldg	R 445 853 724 C	#.6	13.25
	L 445 853 723 C	#.6	d12.85