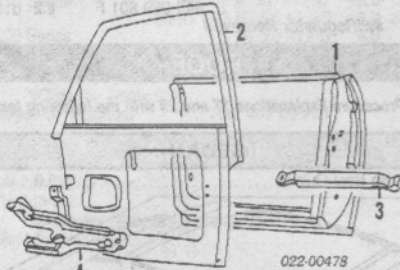


**FRONT DOOR**

Use Procedure Explanations 16 and 28 with the following text.

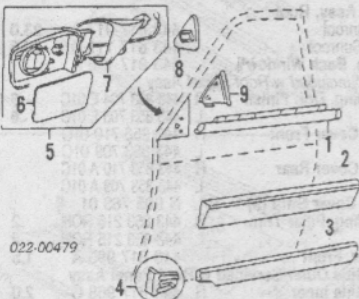
**SHEET METAL**

|                                 |     |     |
|---------------------------------|-----|-----|
| Refinish Door Outside           | R/L | 2.3 |
| Add for Jamb                    | R/L | .5  |
| Add for Jamb & Interior         | R/L | 1.0 |
| R&I Door Assy                   | R/L | 1.0 |
| Add to R&R Door Shell           |     |     |
| w/Mirror                        | R/L | .8  |
| w/Power Lifts & Locks           | R/L | 1.0 |
| To Drill Holes for Installation |     |     |
| One Moulding                    | R/L | .3  |
| Each Additional Moulding        | R/L | .2  |



|                                      |                     |      |        |
|--------------------------------------|---------------------|------|--------|
| 1 Shell, Door                        | R 443 831 052 E     | #6.0 | 581.00 |
|                                      | L 443 831 051 E     | #6.0 | 581.00 |
| <i>#Includes R&amp;R Inner Panel</i> |                     |      |        |
| 2 Panel, Inner (a)                   | R 443 837 754 E V7A | 3.5  | 399.65 |
|                                      | L 443 837 753 E V7A | 3.5  | 399.65 |
| <i>(a) Includes Window Frame</i>     |                     |      |        |
| 3 Bar, Reinforcement                 | R/L 443 831 515 A   |      | 135.60 |
| 4 Bracket, Armrest                   | R 443 837 952       |      | 45.80  |
|                                      | L 443 837 951       |      | 45.80  |

**EXTERIOR TRIM**



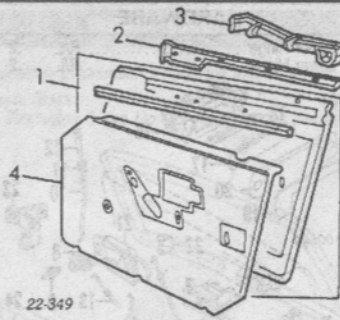
|  |                       |     |        |
|--|-----------------------|-----|--------|
| 1 Moulding, Belt (a)                             | R 443 853 284 K 2ZZ   | .3  | 43.90  |
|  | L 443 853 283 G 01C   | .3  | N.A.   |
| <i>(a) Includes Outer Weatherstrip</i>           |                       |     |        |
| 2 Moulding, Side                                 |                       |     |        |
| 10 Valve Eng                                     | R 447 853 954 G 01C   | .3  | 143.00 |
|  | L 447 853 953 G 01C   | .3  | 143.00 |
| 20 Valve Eng                                     | R 447 853 954 E 01C   | .3  | 144.60 |
|  | L 447 853 953 E 01C   | .3  | d57.85 |
| 3 Cover, Trim Lower                              | R 441 853 960 A 01C   | .2  | 43.15  |
|  | L 441 853 959 A 01C   | .2  | 44.30  |
| 4 Cap, Cover (4)                                 | R/L 443 853 113 A 01C |     | 1.90   |
| 5 Mirror Assy, Rear View                         |                       |     |        |
| Power/Heated                                     |                       |     |        |
| To 1-89  | R 443 857 502 AH 3FZ  | 1.0 | 94.15  |
|  | L 443 857 501 AC 3FZ  | 1.0 | 214.75 |
| From 1-89  | R 443 857 502 AN 3FZ  | 1.0 | 344.70 |
|  | L 443 857 501 AL 3FZ  | 1.0 | 272.45 |
| 6 Glass, Mirror                                  |                       |     |        |
| USA  | R 443 857 536 L       | .3  | 81.05  |
|  | L 443 857 535 N       | .3  | 88.45  |
| Canada   | R N.A.                | .3  | N.A.   |
|  | L N.A.                | .3  | N.A.   |
| 7 Cap, Mirror                                    | R 443 857 600         | 1.2 | 39.10  |
|  | L 443 857 599         | 1.2 | 39.10  |
| <i>#Included w/Rear View Mirror Assy</i>         |                       |     |        |
| 8 Gasket, Inner                                  | R 441 857 556         |     | 1.70   |
|  | L 441 857 555         |     | 1.70   |
| 9 Plate, Trim Inner (a)                          | R 441 857 506 V7A     |     | d10.30 |
|  | L 441 857 505 A V7A   |     | 10.30  |
| <i>(a) Graphite listed, Order by Application</i> |                       |     |        |

**INTERIOR TRIM**

|                |     |    |
|----------------|-----|----|
| R&I Trim Panel | R/L | .6 |
|----------------|-----|----|

Illustration Located in Next Column

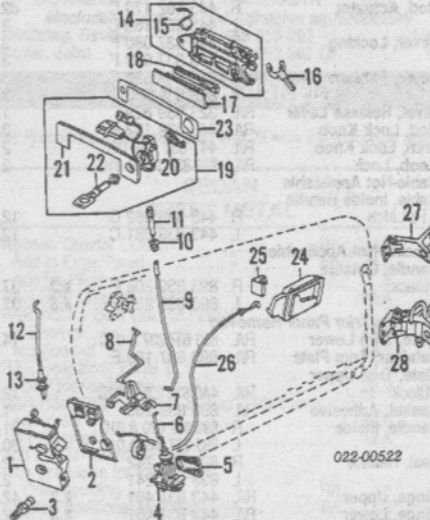
|                |                      |    |         |
|----------------|----------------------|----|---------|
| 1 Panel, Outer |                      |    |         |
| Cloth (Velour) |                      |    |         |
| 100 Series     | R 443 867 106 AC VJ1 | .7 | d385.00 |
|                | L 443 867 105 AC VJ1 | .7 | d154.00 |
| 200 Series     | R 447 867 106 B V04  | .7 | d385.00 |
|                | L 447 867 105 B V04  | .7 | d373.80 |



|   |                     |    |         |
|---|---------------------|----|---------|
| Leather                                       | R 447 867 106 D VL2 | .7 | d179.30 |
|   | L 447 867 105 D VL2 | .7 | d448.30 |
| 2 Panel, Trim                                 |                     |    |         |
| 100 Series                                    | R 443 867 410 7FR   |    | d44.55  |
|   | L 443 867 409 7FR   |    | d17.80  |
| 200 Series (a)                                | R 447 867 410 4UH   |    | 310.20  |
|   | L 447 867 409 4UH   |    | 310.20  |
| <i>#Graphite listed, Order by Application</i> |                     |    |         |
| 3 Armrest                                     | R 441 867 172 A 5AY | .3 | 123.00  |
|   | L 441 867 171 B 5AY | .3 | d49.20  |
| <i>#Graphite listed, Order by Application</i> |                     |    |         |
| 4 Pad, Insulator (a)                          | R/L 441 863 979     |    | 17.05   |
| <i>(a) Order by Application</i>               |                     |    |         |

**HARDWARE**

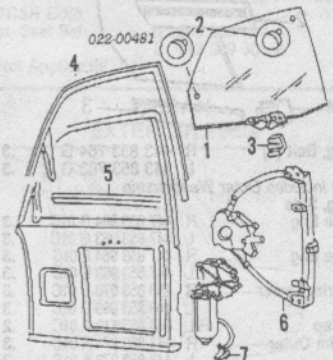
|                      |     |    |
|----------------------|-----|----|
| Refinish Upper Hinge | R/L | .2 |
| Refinish Lower Hinge | R/L | .2 |



|  |                       |     |        |
|--|-----------------------|-----|--------|
| 1 Latch  | R 443 837 016         | #.6 | d37.20 |
|  | L 443 837 015         | #.6 | d56.55 |
| <i>#w/Trim Panel Removed</i>                         |                       |     |        |
| 2 Gasket, Door Latch                                 | R 8A0 837 088         |     | 1.90   |
|  | L 8A0 837 087         |     | 1.90   |
| 3 Striker, Latch-See Rocker/Pillars/Floor Section    |                       |     |        |
| Cover, Latch Inner                                   | R 443 837 350 D       |     | 4.65   |
|  | L 443 837 349 D       |     | 4.65   |
| 4 Actuator, Power Lock                               | R/L 8A0 862 153       | #.3 | 39.00  |
| <i>#w/Trim Panel Removed</i>                         |                       |     |        |
| 5 Bracket, Actuator                                  | R/L 443 862 123 A     |     | 2.95   |
| 6 Rod, Actuator                                      | R/L 443 862 163 B     |     | 2.95   |
| 7 Lever, Locking                                     | R 443 837 080 F       |     | 3.90   |
|  | L 443 837 079 F       |     | 3.90   |
| 8 Rod, Locking                                       | R 443 837 196 C       |     | 2.30   |
|  | L 443 837 195 C       |     | 2.30   |
| 9 Rod, Lock Knob                                     | R 443 837 184 C       |     | 3.90   |
|  | L 443 837 183 C       |     | 3.90   |
| 10 Trim, Lock Knob                                   | R/L 447 837 189 01C   |     | 2.30   |
| 11 Knob, Lock  | R/L 893 837 187 D 01C |     | 2.45   |
| 12 Rod, Latch  | R 443 837 134 C       |     | 7.70   |
|  | L 443 837 133 C       |     | 7.70   |
| 13 Clip, Rod Latch                                   | R/L 443 839 821       |     | .67    |
| 14 Handle Assy, Outside                              |                       |     |        |
| Black  |                       |     |        |
| Heated   | R 4A0 837 206 K       | #.3 | 56.60  |
|  | L 4A0 837 205 K       | #.3 | 56.60  |
| Non-Heated   | R 4A0 837 206 J       | #.3 | 19.50  |
|  | L 4A0 837 205 J       | #.3 | 19.50  |
| <i>#Includes R&amp;I Handle w/Trim Panel Removed</i> |                       |     |        |
| 15 Switch, Micro                                     | R/L 893 959 985       | #.4 | 69.65  |
| <i>#Included w/Heated Door Handle Assy</i>           |                       |     |        |
| 16 Fastener, Handle                                  | R 893 837 276 A       | #.4 | 1.20   |
|  | L 893 837 275 A       | #.4 | 1.20   |
| 17 Plate, Trim Lower                                 | R/L 893 837 237 E 01C | #.3 | 14.95  |
| 18 Retainer, Trim Plate                              | R/L 893 837 109 E     |     | .92    |
| 19 Cylinder & Plate Assy                             |                       |     |        |
| Heated   |                       |     |        |
| w/Alarm  | R 893 837 064 C       | #.3 | 257.50 |
|  | L 893 837 063 C       | #.3 | 257.50 |

|  |                     |     |        |
|--|---------------------|-----|--------|
| w/o Alarm  | R 893 837 064 A     | #.3 | 167.10 |
|  | L 893 837 063 A     | #.3 | 122.50 |
| Non-Heated   | R 893 837 064       | #.3 | 51.45  |
|  | L 893 837 063       | #.3 | 37.85  |
| <i>#w/Trim Panel Removed</i>   |                     |     |        |
| 20 Carrier, Lock Cylinder  | R 893 837 288 C     |     | 6.25   |
|  | L 893 837 287 C     |     | 6.25   |
| 21 Plate, Trim Upper   |                     |     |        |
| Black  | R 893 837 240 E 3FZ |     | 27.45  |
|  | L 893 837 239 E 3FZ |     | 27.45  |
| 22 Cylinder & Key  | R/L 893 837 062 B   | #.2 | 14.60  |
| <i>#Included w/Cylinder &amp; Plate Assy</i>                           |                     |     |        |
| <i>(a) Order by Code &amp; Application</i>                             |                     |     |        |
| <i>#w/Cylinder &amp; Plate Assy Removed, Does Not Include Recode</i>   |                     |     |        |
| 23 Gasket, Adhesive  | R 4A0 837 210       |     | 1.10   |
|  | L 4A0 837 209       |     | .92    |
| 24 Handle, Inside  | R 893 837 020 01C   |     | 31.45  |
|  | L 893 837 019 01C   |     | 30.15  |
| 25 Seal, Handle  | R 893 837 242       |     | 2.30   |
|  | L 893 837 241       |     | 2.30   |
| 26 Cable, Handle   | R 443 837 082 C     |     | 13.35  |
|  | L 443 837 081 C     |     | 13.35  |
| 27 Hinge, Upper  | R/L 443 831 401     | #.3 | 42.50  |
| 28 Hinge, Lower  | R/L 443 831 401     | #.3 | 42.50  |
| <i>#R&amp;R Both w/Door Removed, Included in R&amp;R Hinge Bracket</i> |                     |     |        |
| <i>Bracket</i>   |                     |     |        |
| <i>Bracket, Hinge-See Hinge Pillar</i>                                 |                     |     |        |
| <i>Strap, Check</i>  |                     |     |        |
| <i>1989</i>  |                     |     |        |
| To Ch 44K080000  | R/L 443 837 249 C   | .2  | 26.05  |
| From Ch 44K080001  | R/L 443 837 249 D   | .2  | 32.25  |
| 1990-91  | R/L 443 837 249 D   | .2  | 32.25  |
| W/Strip On Body  | R 443 831 722 L 01C | .4  | 145.35 |
|  | L 443 831 721 L 01C | .4  | 139.10 |

**GLASS & PARTS**



|  |                   |      |         |
|--|-------------------|------|---------|
| 1 Glass, Front Door                              |                   |      |         |
| Audi-Tinted                                      | R 443 845 022 G   | 1.8  | 142.95  |
|  | L 443 845 021 G   | 1.8  | 246.05  |
| NAGS-Green                                       | R/L FD02743-4G1N  | 1.8  | 264.10  |
| 2 Cap, Retainer                                  |                   |      |         |
| Black  | R/L 443 845 471 C |      | .38     |
| 3 Stop, Regulator                                | R/L 443 837 447   |      | 2.45    |
| 4 Channel, Run                                   | R 443 837 432 E   |      | 130.00  |
|  | L 443 837 431 E   |      | 130.00  |
| <i>W/Strip, Outer-See Exterior Trim Section</i>  |                   |      |         |
| 5 W/Strip, Inner                                 | R 443 837 480 B   |      | 17.55   |
|  | L 443 837 479 B   |      | 17.55   |
| 6 Regulator w/o Motor                            | R 443 837 398 A   | #1.0 | d198.40 |
|  | L 443 837 397 D   | #1.0 | 210.00  |
| <i>#w/Trim Panel Removed, w/Glass Removed .4</i> |                   |      |         |
| 7 Motor, Regulator                               | R 443 839 398 C   | #.2  | 91.20   |
|  | L 443 959 801 F   | #.2  | d186.60 |
| <i>#w/Regulator Removed</i>                      |                   |      |         |

**REAR DOOR**

Use Procedure Explanations 16 and 28 with the following text.

**SHEET METAL**

|                                 |     |     |
|---------------------------------|-----|-----|
| Refinish Door Outside           | R/L | 2.2 |
| Add for Jamb                    | R/L | .5  |
| Add for Jamb & Interior         | R/L | 1.0 |
| R&I Door Assy                   | R/L | .8  |
| Add to R&R Door Shell           |     |     |
| w/Power Lifts & Locks           | R/L | 1.0 |
| To Drill Holes for Installation |     |     |
| One Moulding                    | R/L | .3  |
| Each Additional Moulding        | R/L | .2  |

Illustration Located in Next Column

|                                      |                     |      |        |
|--------------------------------------|---------------------|------|--------|
| 1 Shell, Door                        | R 443 833 052 D     | #6.0 | 581.00 |
|                                      | L 443 833 051 D     | #6.0 | 581.00 |
| <i>#Includes R&amp;R Inner Panel</i> |                     |      |        |
| 2 Panel, Inner (a)                   | R 443 839 754 C V7A | 3.5  | 399.65 |
|                                      | L 443 839 753 C V7A | 3.5  | 399.65 |
| <i>(a) Includes Window Frame</i>     |                     |      |        |
| 3 Bar, Reinforcement                 | R 443 833 516 B     |      | 135.60 |
|                                      | L 443 833 515 B     |      | 135.60 |